



US0D1010944S

(12) **United States Design Patent**
Zhang

(10) **Patent No.:** **US D1,010,944 S**

(45) **Date of Patent:** **** Jan. 9, 2024**

(54) **AIR STONE**

(71) Applicant: **Zhongshan Zaomeng Space E-Commerce Co., Ltd., Zhongshan (CN)**

(72) Inventor: **Zhicheng Zhang, Zhongshan (CN)**

(73) Assignee: **Zhongshan Zaomeng Space E-Commerce Co., Ltd., Zhongshan (CN)**

(**) Term: **15 Years**

(21) Appl. No.: **29/840,534**

(22) Filed: **May 30, 2022**

(51) **LOC (14) Cl.** **30-02**

(52) **U.S. Cl.**
USPC **D30/106**

(58) **Field of Classification Search**
USPC D30/101-107; D11/145
CPC .. A01K 63/003; A01K 63/006; A01K 63/042;
A01K 63/045; A01K 63/047
See application file for complete search history.

(56) **References Cited**

U.S. PATENT DOCUMENTS

3,507,253 A * 4/1970 Willinger A01K 63/042
261/122.1
3,575,350 A * 4/1971 Willinger A01K 63/042
210/220

D224,031 S * 6/1972 Willinger D30/106
3,746,169 A * 7/1973 Willinger A01K 63/045
210/167.26
D249,897 S * 10/1978 Willinger D30/106
4,192,255 A * 3/1980 Willinger A01K 63/042
261/122.1
4,655,915 A * 4/1987 Carpinone A01K 63/042
210/167.26
5,034,165 A * 7/1991 Willinger A01K 63/042
261/122.1
D334,086 S * 3/1993 Ng D30/106
5,669,410 A * 9/1997 Furuya A01K 63/042
137/511

* cited by examiner

Primary Examiner — Wan Laymon

(74) *Attorney, Agent, or Firm* — Georgi Korobanov

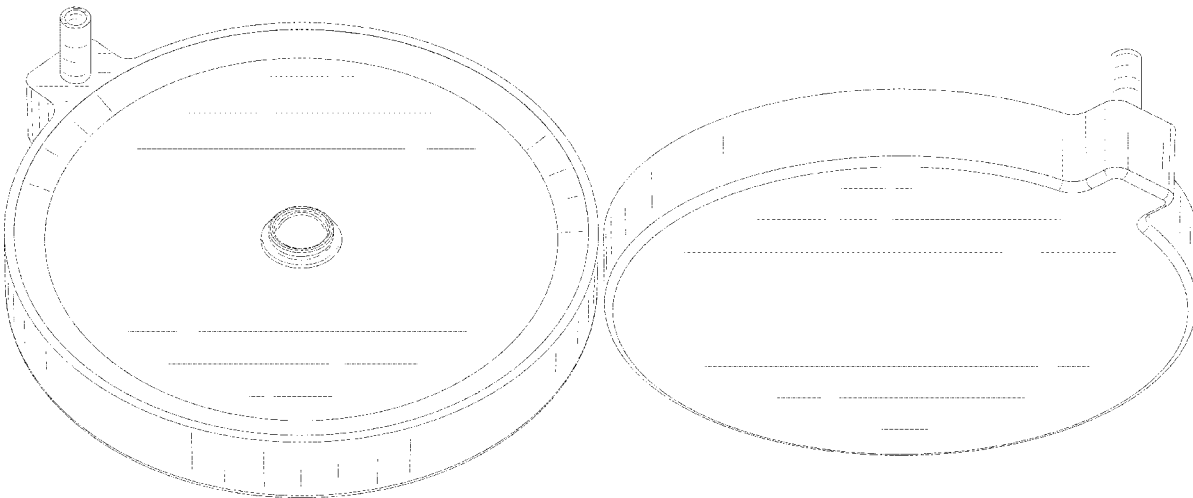
(57) **CLAIM**

The ornamental design for an air stone, as shown and described.

DESCRIPTION

FIG. 1 is a perspective view of an air stone, showing my new design;
FIG. 2 is another perspective view thereof;
FIG. 3 is a front view thereof;
FIG. 4 is a rear view thereof;
FIG. 5 is a left side view thereof;
FIG. 6 is a right side view thereof;
FIG. 7 is a top plan view thereof; and,
FIG. 8 is a bottom plan view thereof.

1 Claim, 8 Drawing Sheets



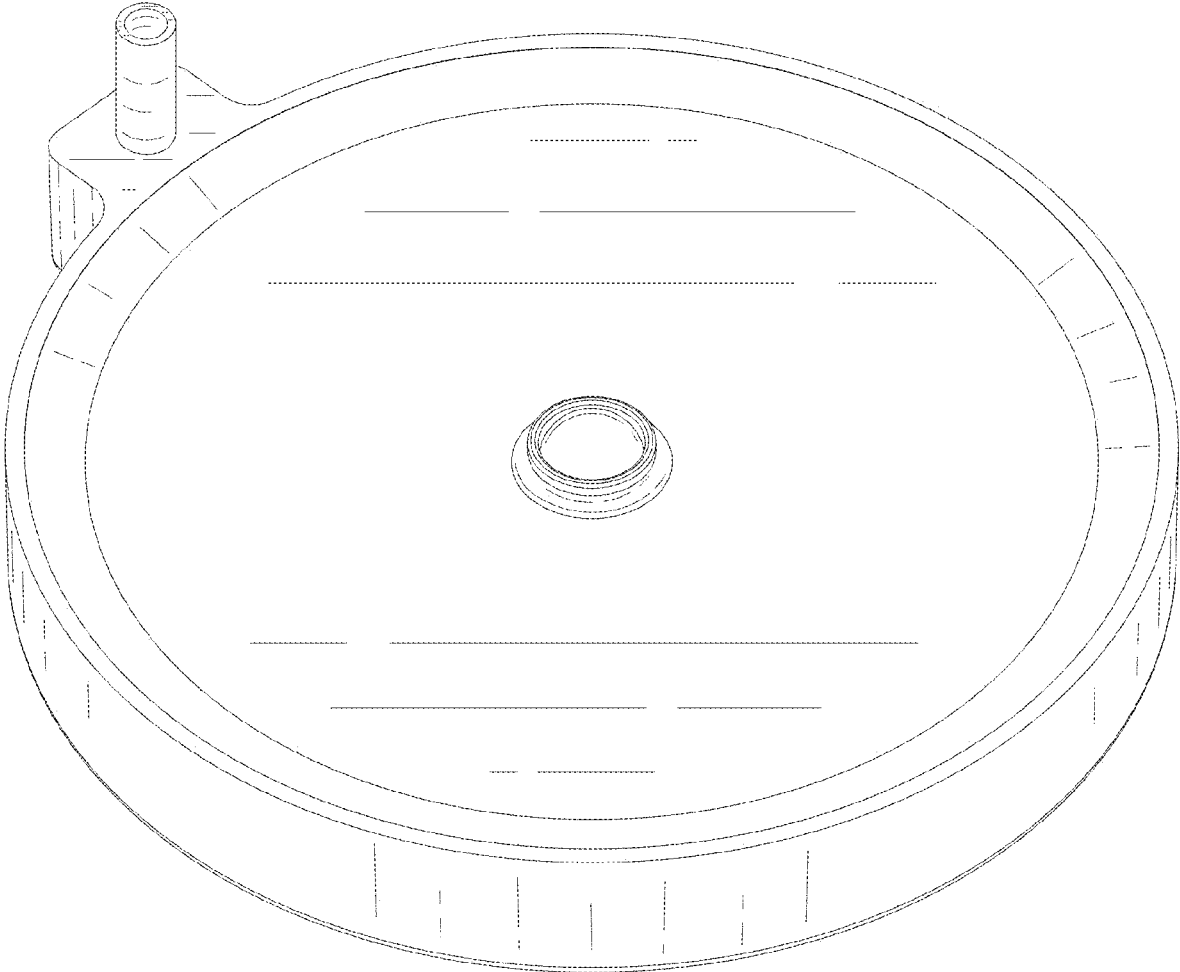


FIG. 1

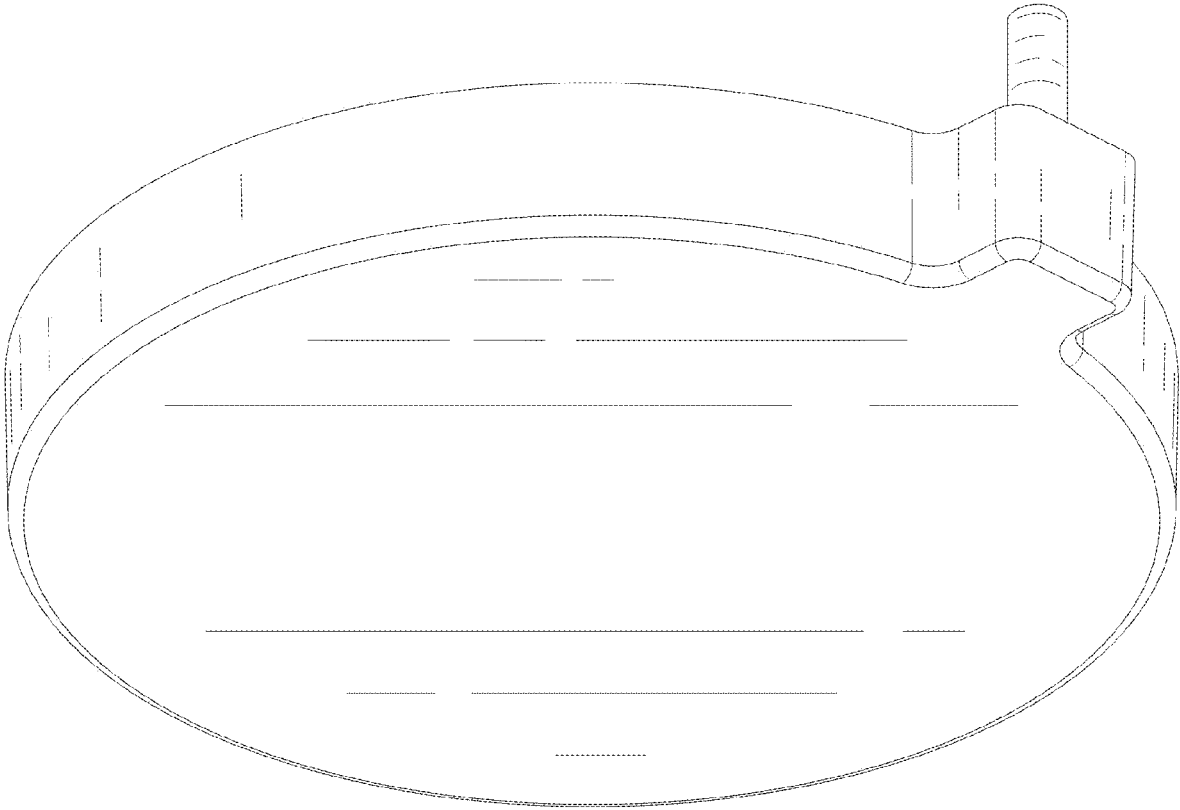


FIG. 2

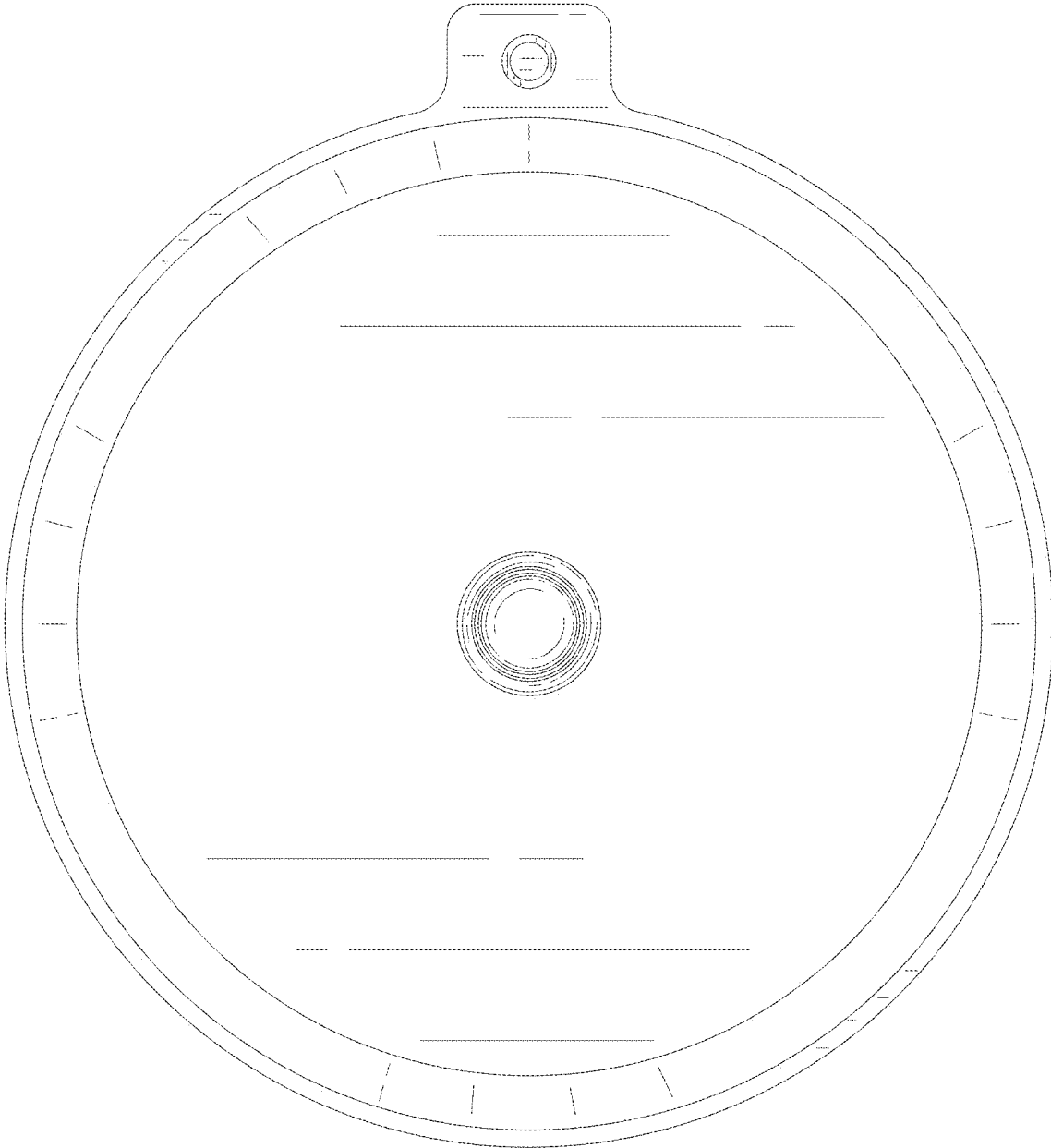


FIG. 3

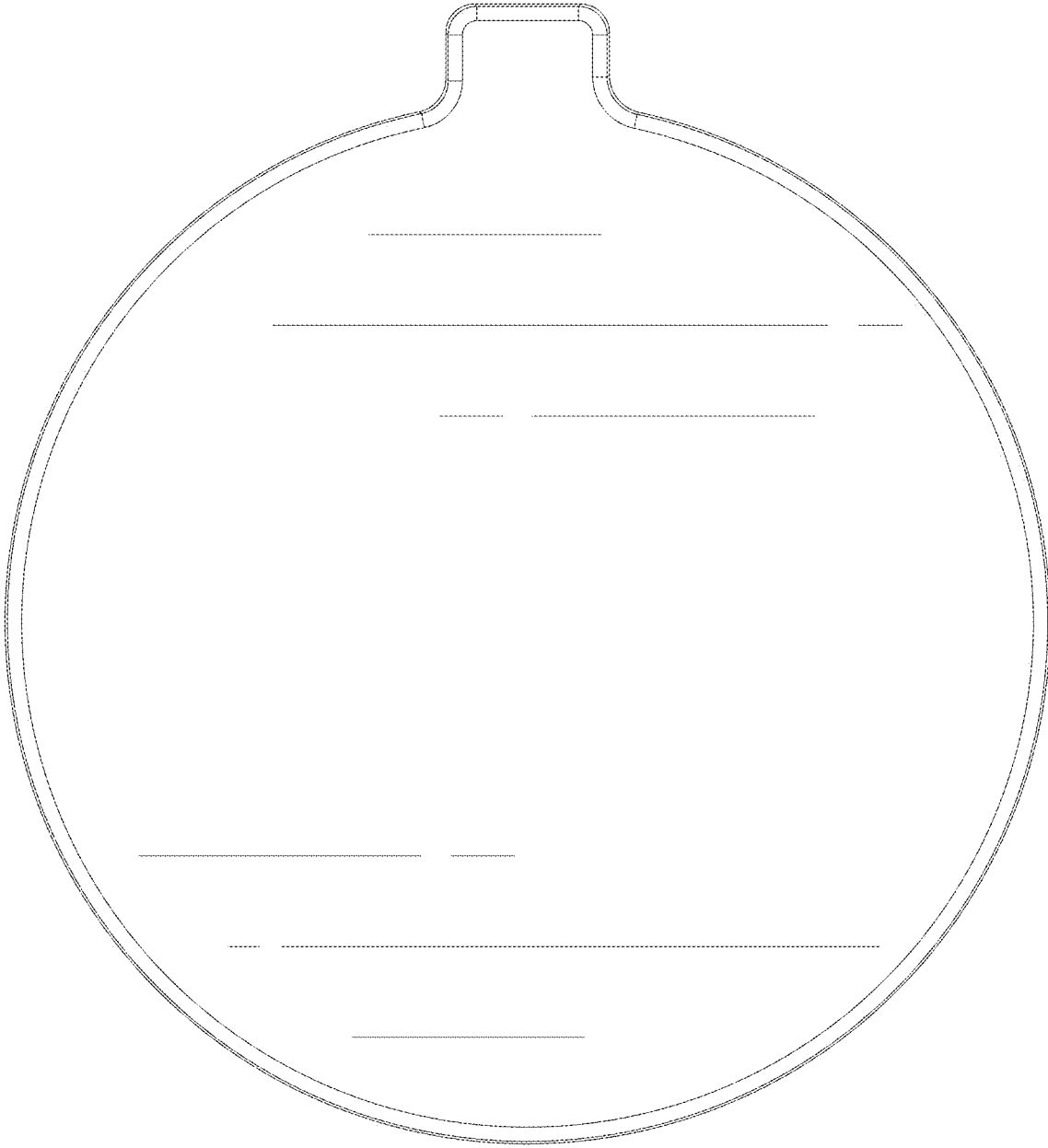


FIG. 4

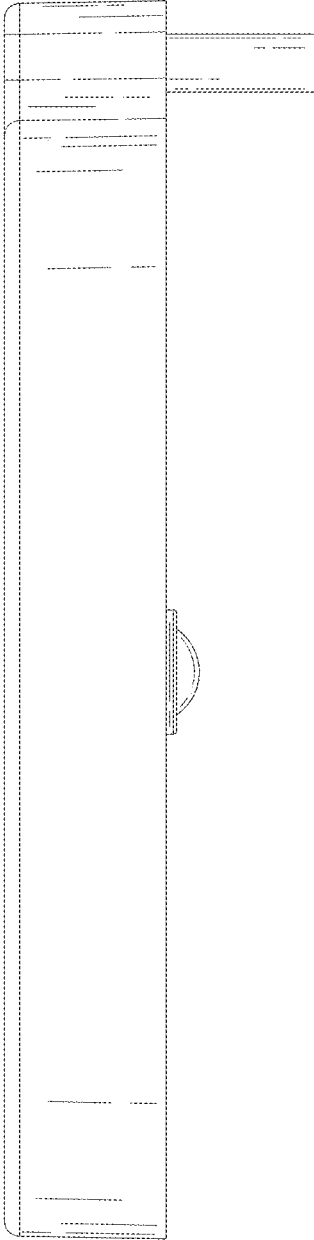


FIG. 5

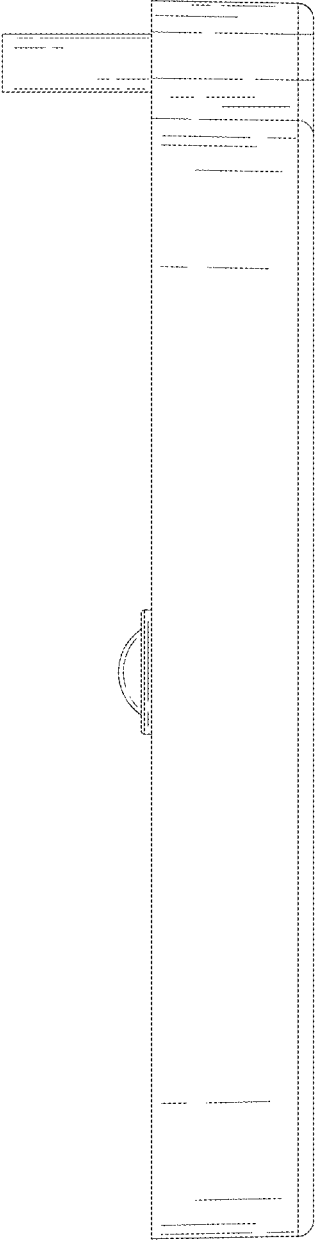


FIG. 6

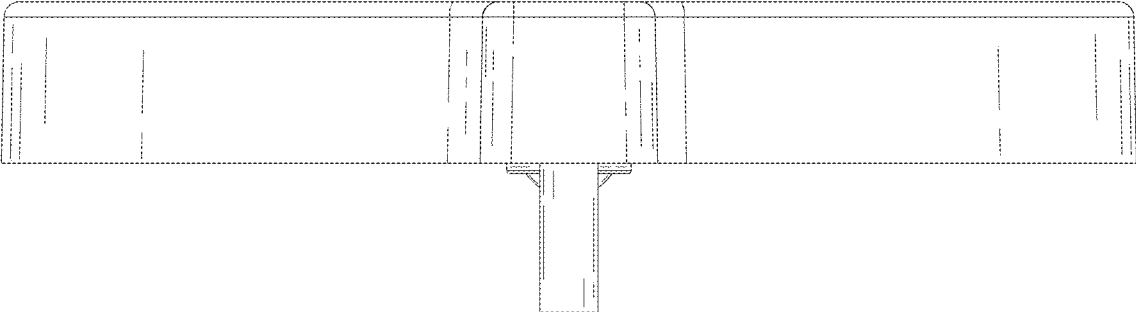


FIG. 7

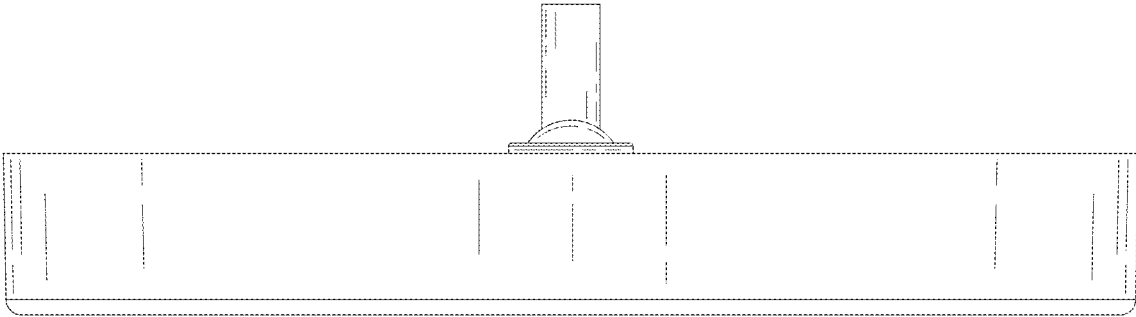


FIG. 8