



(12) **United States Design Patent**  
**Ubbesen**

(10) **Patent No.:** **US D994,882 S**  
(45) **Date of Patent:** **\*\* Aug. 8, 2023**

(54) **PORTABLE MEDICAL MONITOR CONNECTOR**

FOREIGN PATENT DOCUMENTS

- (71) Applicant: **AMBU A/S**, Ballerup (DK)
- (72) Inventor: **Line Sandahi Ubbesen**, Holte (DK)
- (73) Assignee: **AMBU A/S**, Ballerup (DK)
- (\*\*) Term: **15 Years**
- (21) Appl. No.: **29/812,248**
- (22) Filed: **Oct. 20, 2021**

CN 306421849 \* 3/2021  
 CN 306421849 S 3/2021  
 (Continued)

OTHER PUBLICATIONS

BCI SpO2 7FT/2.2M Patient Extension Adapter Cable Pin DB9 9 Pin to Redal 7 Pin Connector BCI Compatible, BCI, [Post date: unknown], [Site seen May 31, 2023], Seen at URL: <https://avantehs.com/s/15038> (Year: 2023).\*

(Continued)

**Related U.S. Application Data**

- (62) Division of application No. 29/725,076, filed on Feb. 21, 2020, now Pat. No. Des. 937,412.
- (51) **LOC (14) Cl.** ..... **24-02**
- (52) **U.S. Cl.**  
USPC ..... **D24/129**; D13/133
- (58) **Field of Classification Search**  
USPC ..... D24/127, 129; D13/118, 120, 133, D13/137.1, 137.2, 129.1, 139.3, 139.4, D13/139.7, 154–155  
CPC ... H01R 13/6205; H01R 13/62; H01R 12/721  
See application file for complete search history.

*Primary Examiner* — Natasha Vujcic  
*Assistant Examiner* — Gilbert B Ford  
 (74) *Attorney, Agent, or Firm* — Faegre Drinker Biddle & Reath LLP

(57) **CLAIM**

The ornamental design for a portable medical monitor connector, as shown and described.

**DESCRIPTION**

FIG. 1 is a front perspective view of a portable medical monitor connector showing my new design;  
 FIG. 2 is a front view thereof;  
 FIG. 3 is a rear view thereof;  
 FIG. 4 is a right side view thereof;  
 FIG. 5 is a left side view thereof;  
 FIG. 6 is a top view thereof; and,  
 FIG. 7 is a bottom view thereof.

Uniformly-sized broken lines illustrate features of the portable medical monitor connector that form no part of the claimed design. Long-short broken lines illustrate boundaries of the claim and form no part of the claimed design. The stippling represents a color contrast from the other claimed features, but not any particular color.

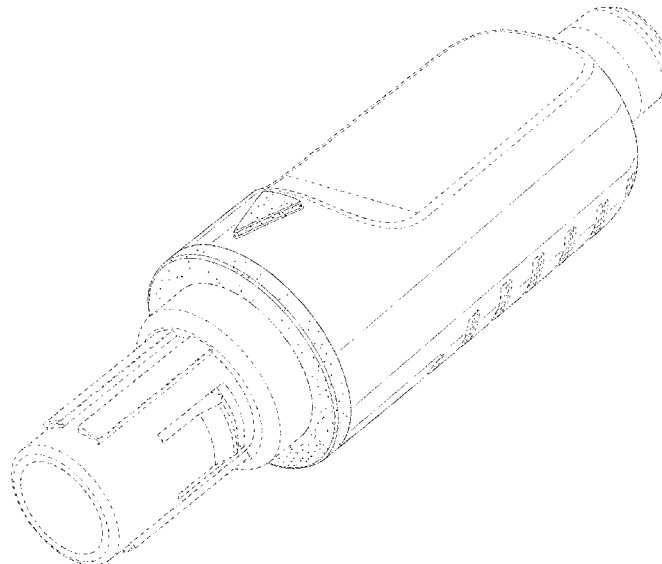
(56) **References Cited**

U.S. PATENT DOCUMENTS

D530,669	S	*	10/2006	Shing	.....	D13/133
D587,202	S		2/2009	Dobler		
D620,452	S		7/2010	Corless et al.		
D698,730	S		2/2014	Hori et al.		
D715,227	S		10/2014	Leem		
D754,073	S	*	4/2016	Katagiyama	.....	D13/133
D779,434	S	*	2/2017	Dobler	.....	D13/133
D824,856	S		8/2018	Corona		
D824,862	S		8/2018	Corona		
D834,531	S		11/2018	Maroney et al.		

(Continued)

**1 Claim, 6 Drawing Sheets**



(56)

References Cited

FOREIGN PATENT DOCUMENTS

U.S. PATENT DOCUMENTS

D840,341 S 2/2019 Menolotto et al.  
 D847,092 S 4/2019 Kelley  
 D847,747 S 5/2019 Rasmussen  
 D851,759 S 6/2019 Jones et al.  
 D861,161 S \* 9/2019 Schuessler ..... D24/129  
 D873,220 S 1/2020 Ishiguro et al.  
 D878,297 S \* 3/2020 Holloway ..... D13/133  
 D896,182 S 9/2020 Corona  
 D898,878 S \* 10/2020 Sprenger ..... D13/133  
 D908,627 S 1/2021 Ender  
 D917,396 S 4/2021 Assmann  
 11,011,871 B2 5/2021 Fujiwara et al.  
 D923,575 S \* 6/2021 Zou ..... D13/133  
 D923,786 S \* 6/2021 Arumugam ..... D24/143  
 D924,157 S 7/2021 Kaplan et al.  
 D924,283 S \* 7/2021 Binzel ..... D8/382  
 D937,412 S \* 11/2021 Ubbesen ..... D24/129  
 D952,107 S \* 5/2022 Chandler ..... D24/176  
 D982,519 S \* 4/2023 Gaidosch ..... D13/133  
 2021/0375646 A1 \* 12/2021 Lin ..... C23C 16/45563

EM 008128292-0004 11/2020  
 KR 301215749.0000 \* 5/2023

OTHER PUBLICATIONS

S-Video Female (4 Pin Mini DIN) Solder Connector—Plastic, showmecables.com, [Post date unknown], [Site seen May 31, 2023], Seen at URL: <https://www.showmecables.com/s-video-female-solder-connector-plastic> (Year: 2023).\*

Criticare Compatible IBP Adapter Cable, Medex Abbott, [Postdate: Sep. 22, 2020], [site seen May 31, 2023], Seen at URL: <https://www.cablesandsensors.com/products/criticare-compatible-ibp-adapter-cable?variant=33808258312> (Year: 2022).\*

Redel P Self-latching plastic connectors with alignment key for medical applications, lemo.com, [First posted Jan. 15, 2020], [Site Visted Aug. 12, 2021], Seen at URL: <https://www.lemo.com/en/products/plastic-connector/redel-p> (Year: 2020).

\* cited by examiner

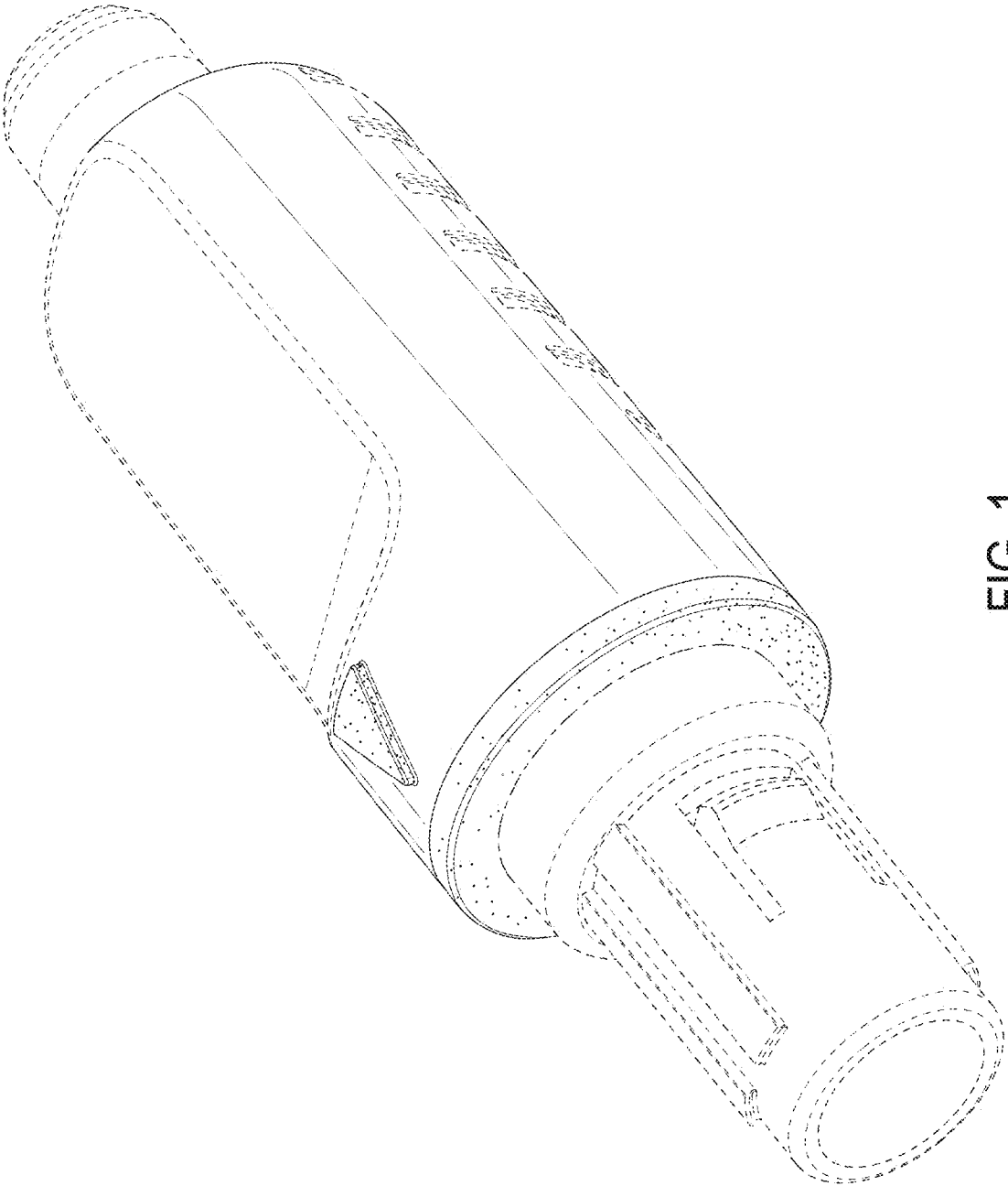


FIG. 1

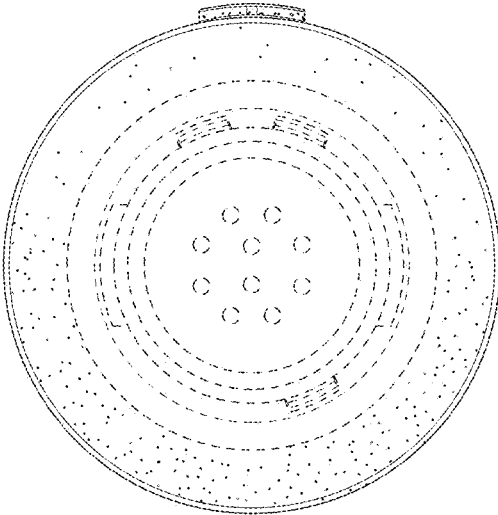


FIG. 2

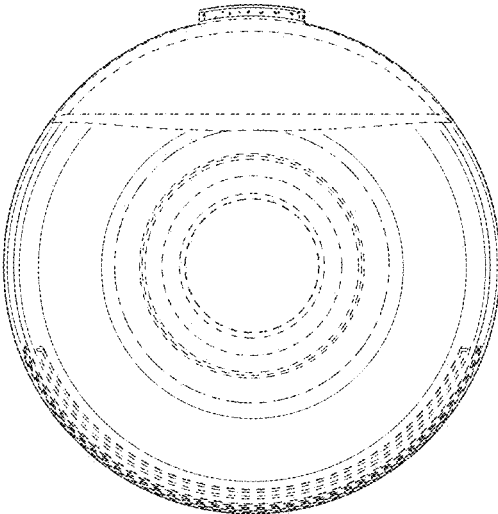


FIG. 3

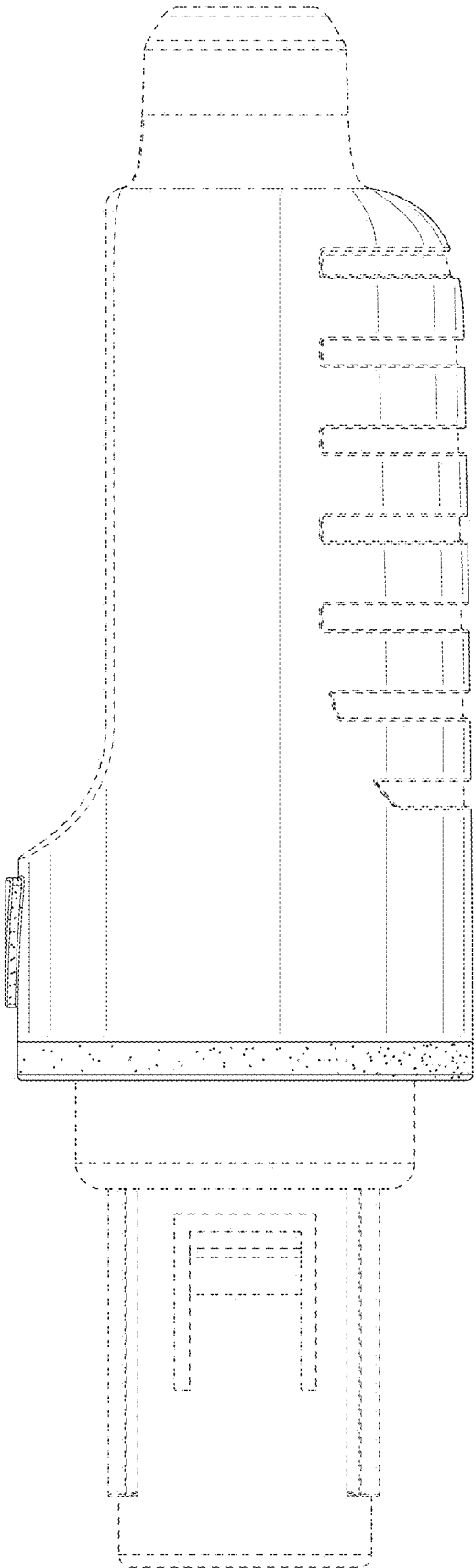


FIG. 4

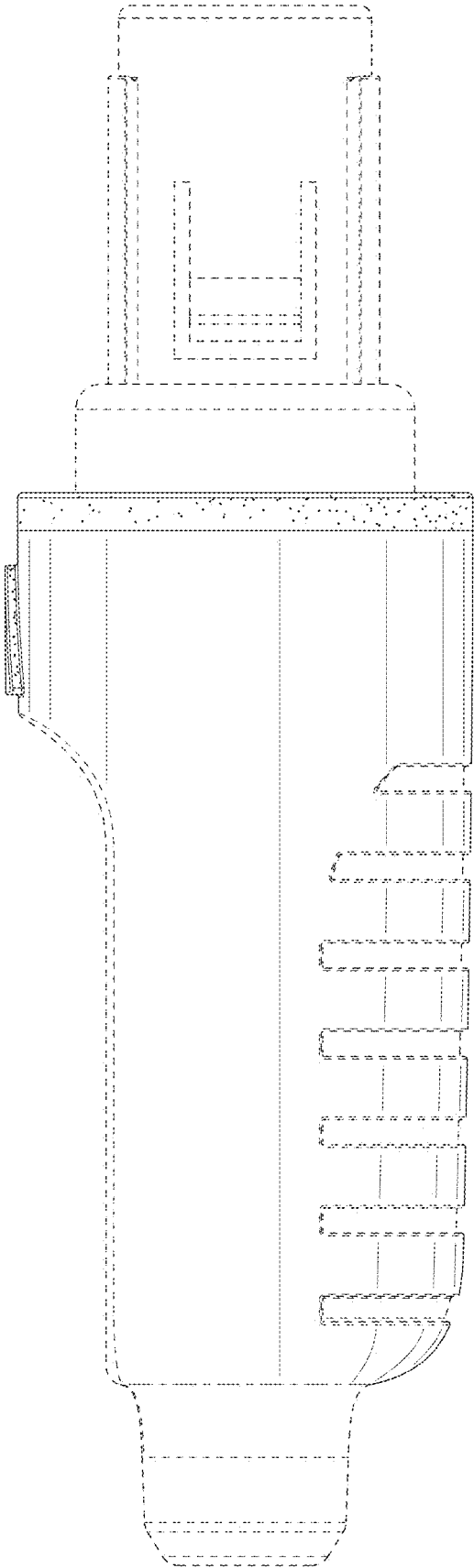


FIG. 5

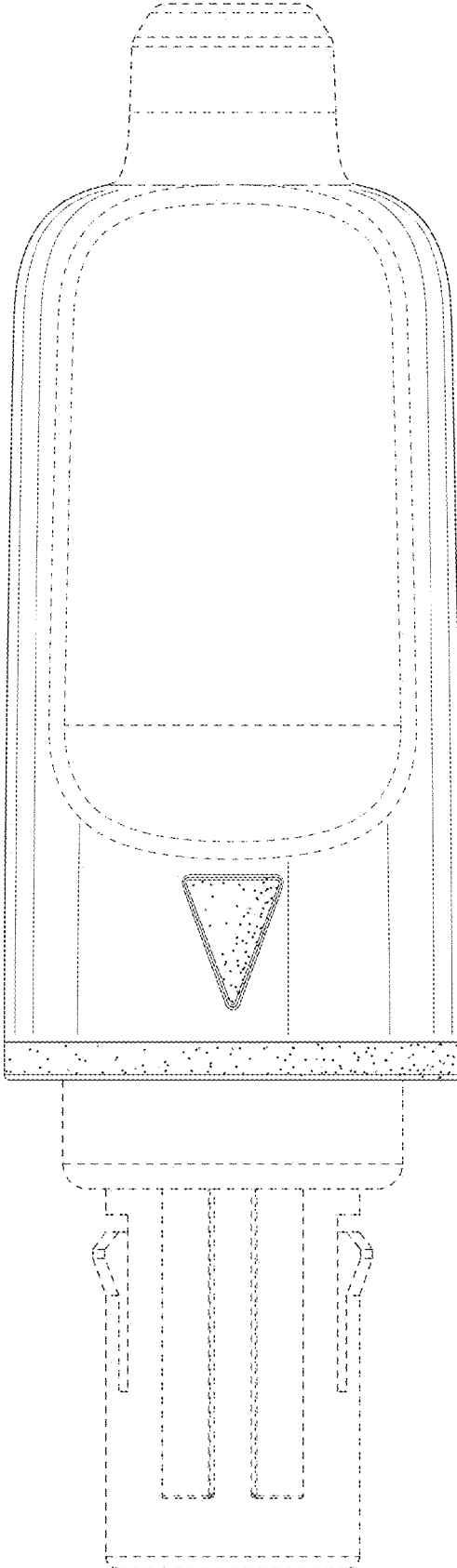


FIG. 6

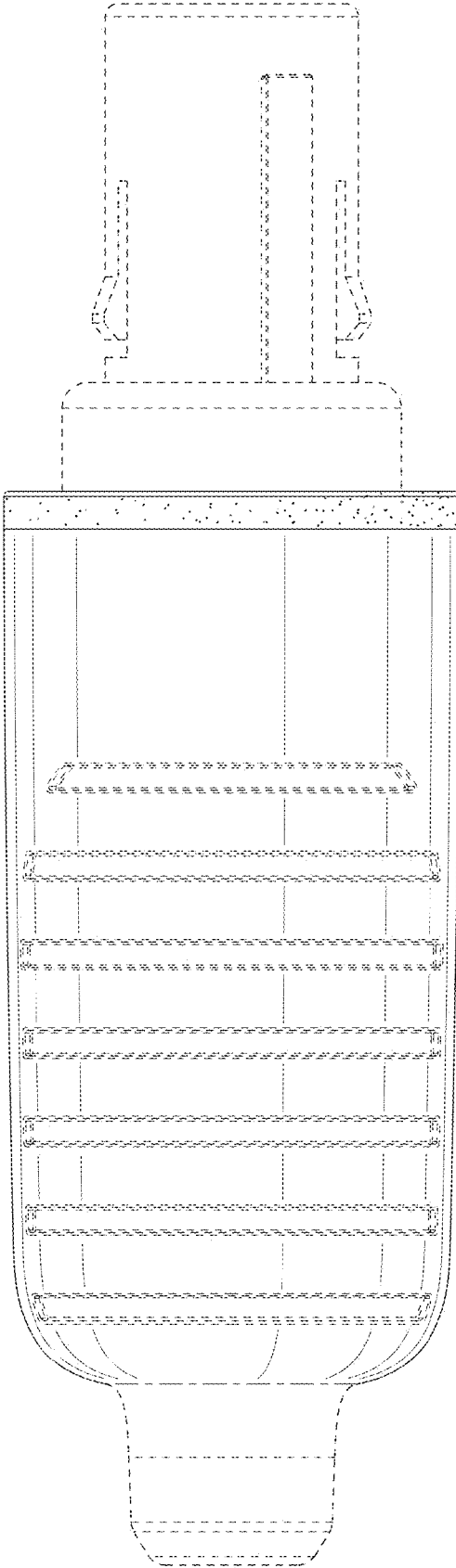


FIG. 7