



US00D644366S

(12) **United States Design Patent**
Barley et al.

(10) **Patent No.:** **US D644,366 S**

(45) **Date of Patent:** **** Aug. 30, 2011**

(54) **FEEDER LIGHT**

(75) Inventors: **Christopher B. Barley**, Grand Prairie, TX (US); **James Brandon Roach**, Grand Prairie, TX (US)

(73) Assignee: **WGI Innovations, Ltd.**, Grand Prairie, TX (US)

(**) Term: **14 Years**

(21) Appl. No.: **29/376,482**

(22) Filed: **Oct. 7, 2010**

(51) **LOC (9) Cl.** **26-05**

(52) **U.S. Cl.** **D26/62**

(58) **Field of Classification Search** D26/60-66, D26/51, 72, 80; 362/145, 147, 183, 227, 362/235-240, 249.07-249.09, 268, 278, 362/283, 277, 282, 285, 287, 310, 319, 311.13, 362/362, 372, 253; D30/121, 133, 199

See application file for complete search history.

(56) **References Cited**

U.S. PATENT DOCUMENTS

5,041,954	A *	8/1991	Forrest, Jr.	362/234
D493,557	S *	7/2004	Kessler et al.	D26/63
7,802,900	B2 *	9/2010	Suba	362/230

OTHER PUBLICATIONS

Ultramatic Feeders, Feedlite, www.ultramaticfeeders.com/hog.html, 4 web pages, Feb. 24, 2010.

Elusive Wildlife Technologies, LLC, Kill Light, www.elusivewildlife.com/products.htm, 6 web pages; the Kill Light (Red LED's) Portable Hog Light, www.elusivewildlife.com/products.htm?sectio..., 2 web pages, Feb. 24, 2010.

Texasboards, Feeder Lights, <http://www.feederlights.com/>, 4 web pages, Feb. 24, 2010.

Hog-Hunting-Guide.com, 6 Watt Red Hog Hunting Lights, ...hog-hunting-guide.com/6-watt-red-h..., 2 web pages, Feb. 24, 2010.

* cited by examiner

Primary Examiner — Susan M Lee

Assistant Examiner — Linda G. Brooks

(74) *Attorney, Agent, or Firm* — Geoffrey A. Mantooth

(57) **CLAIM**

The ornamental design for a feeder light, as shown and described.

DESCRIPTION

FIG. 1 is an isometric top, right side and front side view of a feeder light, showing our new design;

FIG. 2 is an isometric bottom, left side and front side view thereof;

FIG. 3 is a front side view thereof;

FIG. 4 is a rear side view thereof;

FIG. 5 is a top side view thereof;

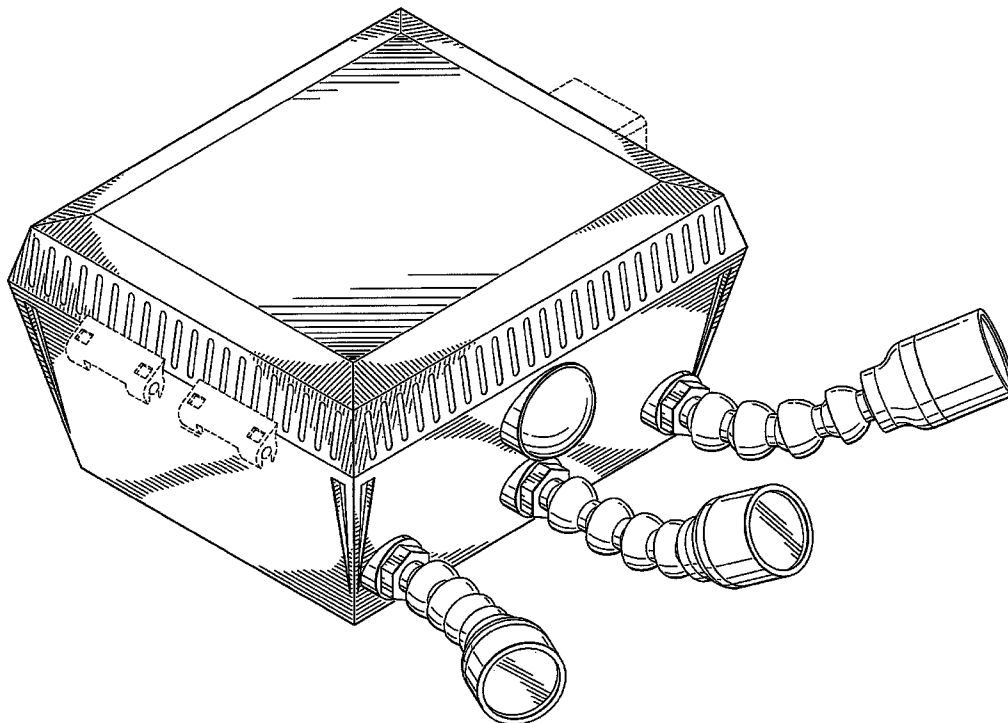
FIG. 6 is a bottom side view thereof;

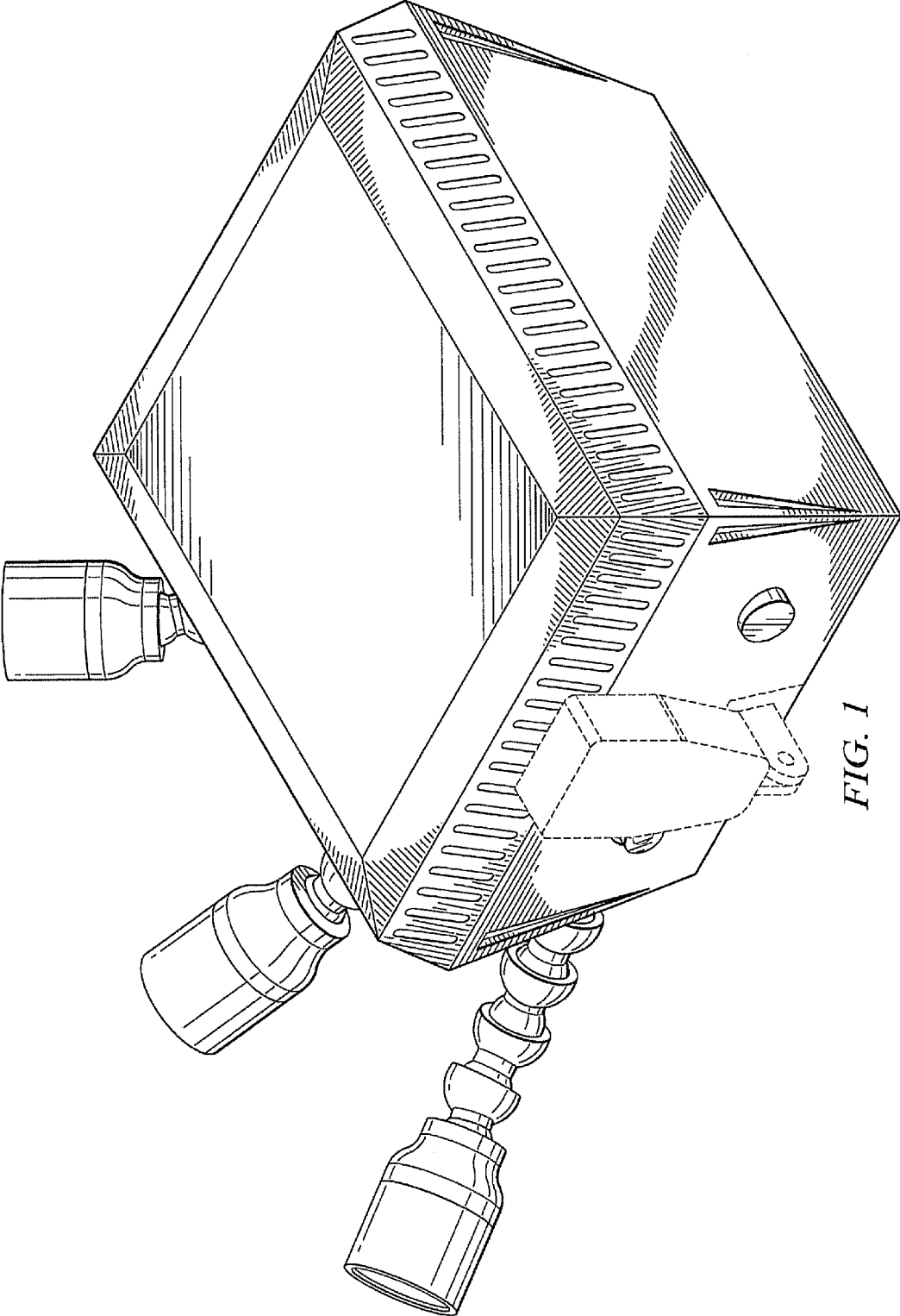
FIG. 7 is a right side view thereof; and,

FIG. 8 is a left side view thereof.

The broken lines illustrate structure that forms no part of the claimed design.

1 Claim, 6 Drawing Sheets





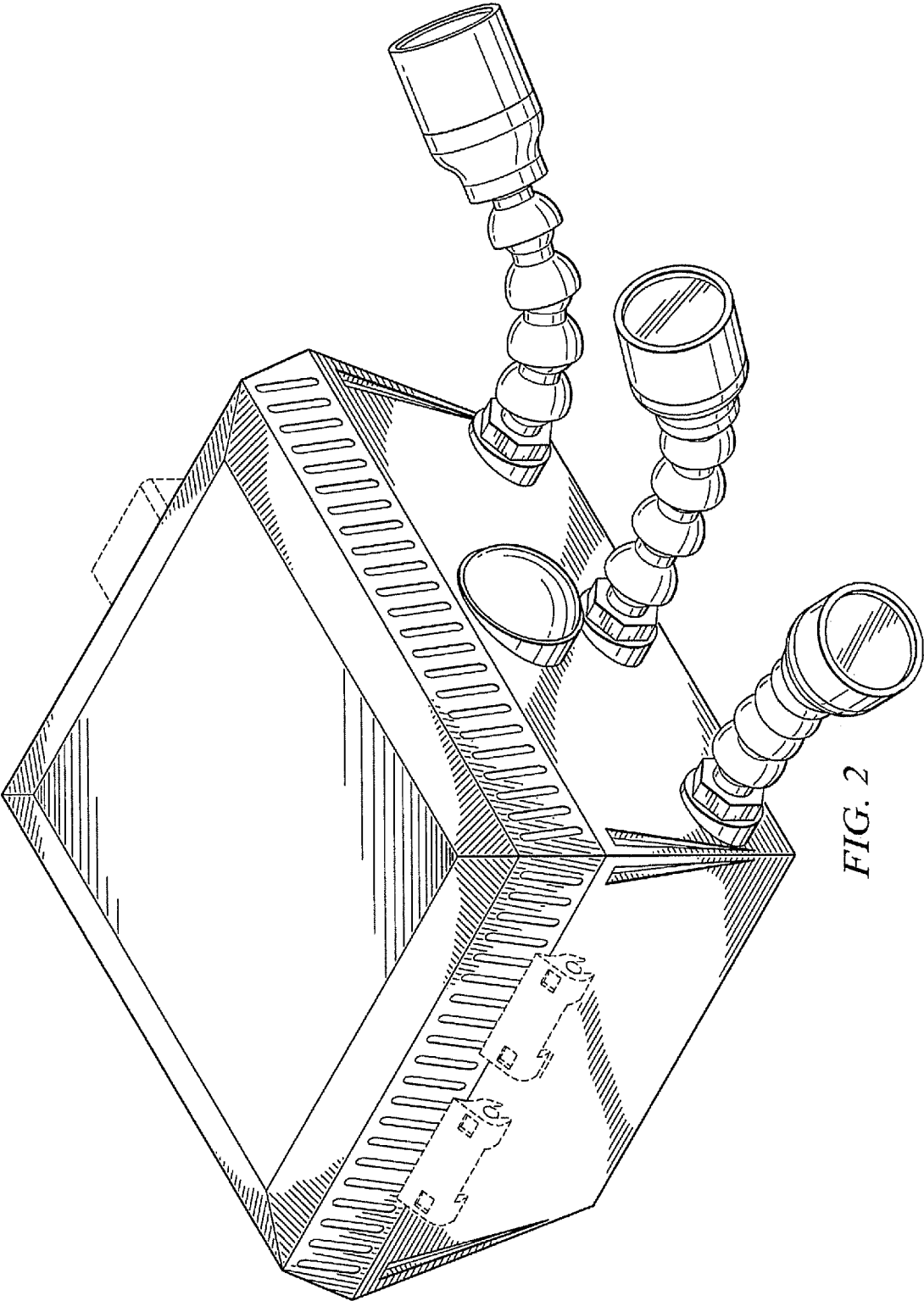


FIG. 2

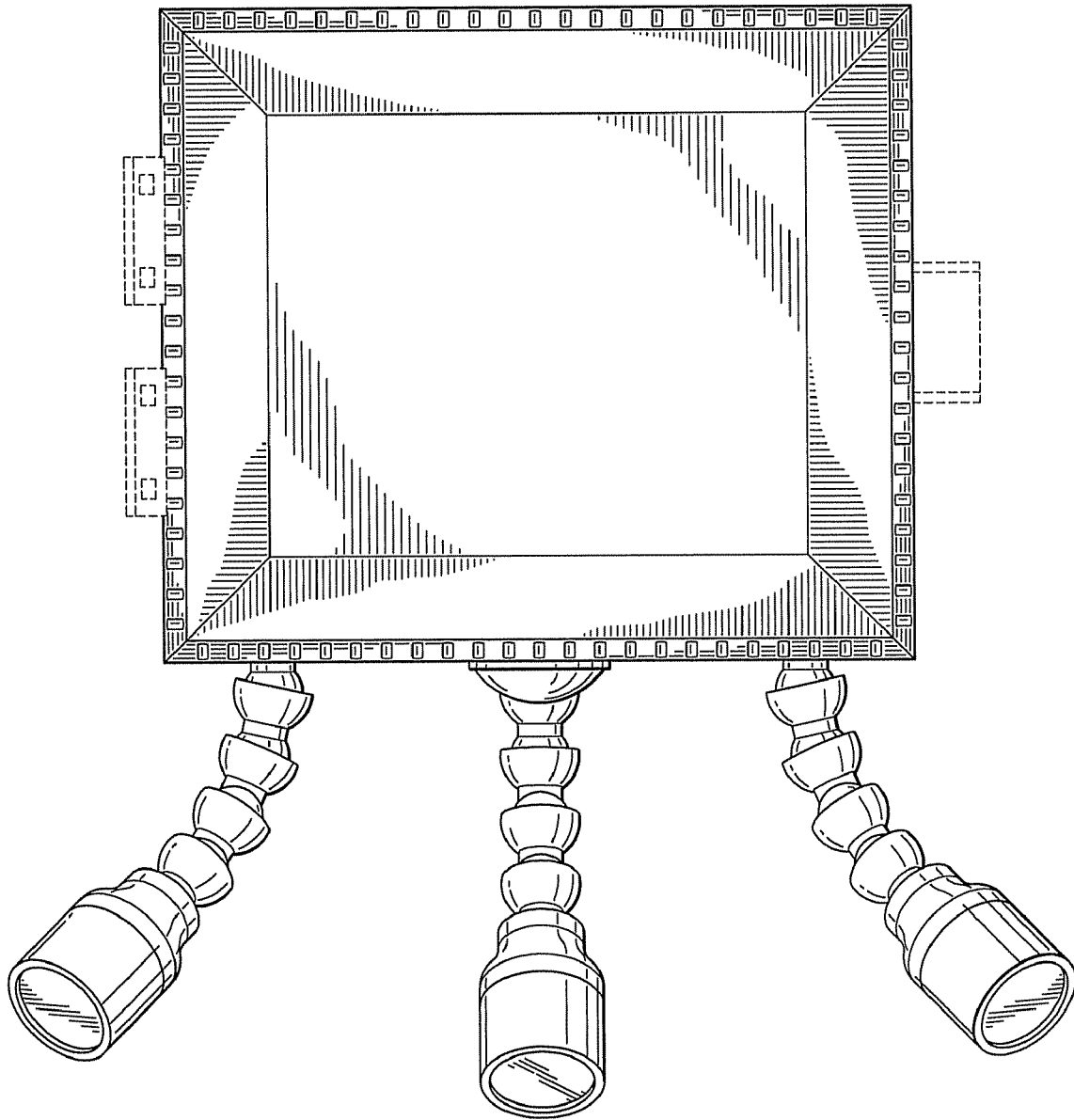


FIG. 3

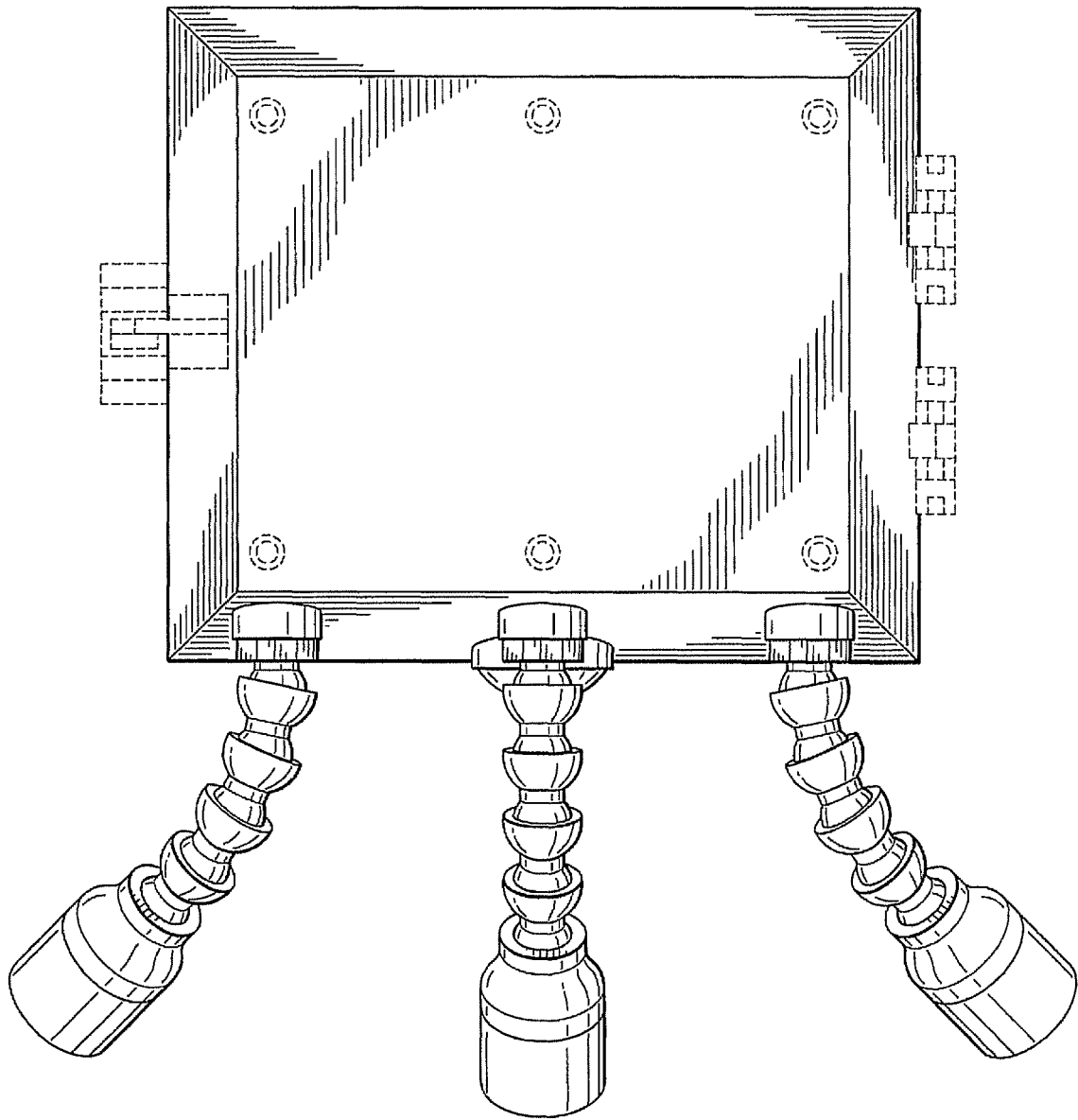


FIG. 4

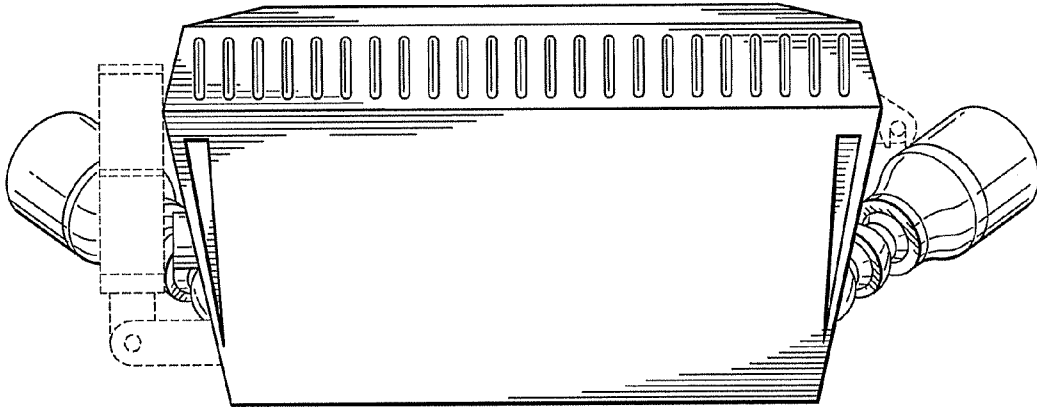


FIG. 5

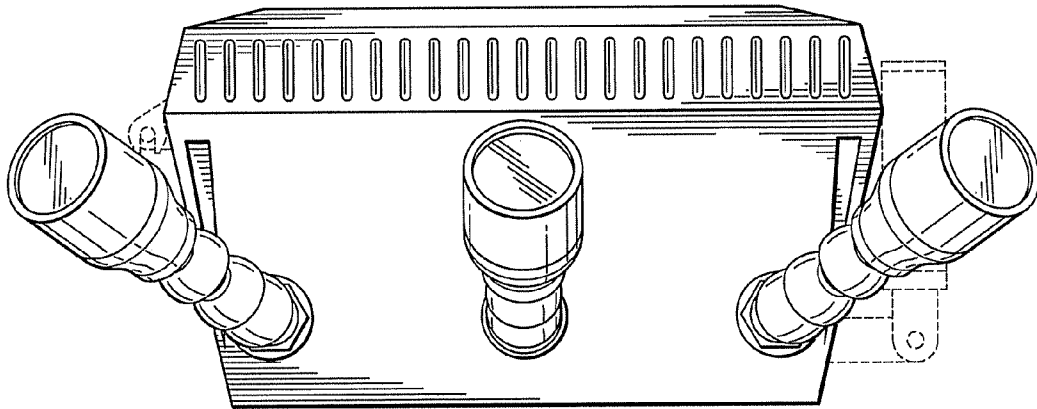


FIG. 6

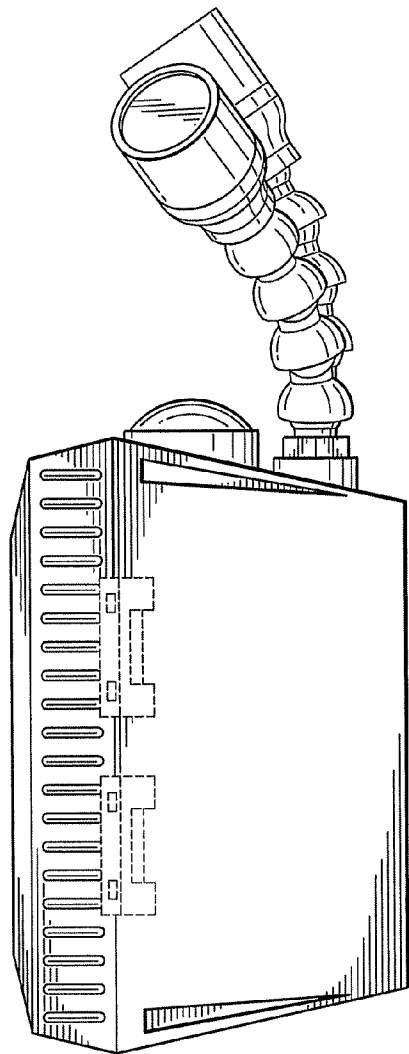


FIG. 7

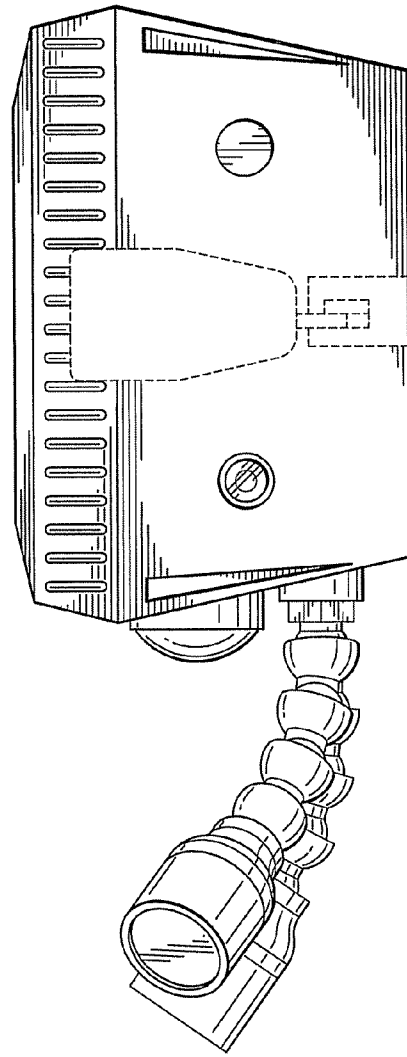


FIG. 8