



- (51) **International Patent Classification:**  
E21B 17/00 (2006.01)
- (21) **International Application Number:**  
PCT/US2012/052840
- (22) **International Filing Date:**  
29 August 2012 (29.08.2012)
- (25) **Filing Language:** English
- (26) **Publication Language:** English
- (30) **Priority Data:**  
13/225,228 2 September 2011 (02.09.2011) US  
13/225,242 2 September 2011 (02.09.2011) US
- (71) **Applicant (for all designated States except US):** **MER-  
RICK SYSTEMS, INC.** [US/US]; 4801 Woodway, Suite  
200E, Houston, Texas 77056 (US).
- (72) **Inventor; and**
- (75) **Inventor/Applicant (for US only):** **BINMORE, Ian Rex**  
[US/US]; 55 Waugh Drive, Suite 400, Houston, Texas  
77007 (US).
- (74) **Agents:** **MANWARE, Robert A.** et al.; P.O. Box 692289,  
Houston, Texas 77269-2289 (US).

(81) **Designated States** (unless otherwise indicated, for every kind of national protection available): AE, AG, AL, AM, AO, AT, AU, AZ, BA, BB, BG, BH, BN, BR, BW, BY, BZ, CA, CH, CL, CN, CO, CR, CU, CZ, DE, DK, DM, DO, DZ, EC, EE, EG, ES, FI, GB, GD, GE, GH, GM, GT, HN, HR, HU, ID, IL, IN, IS, JP, KE, KG, KM, KN, KP, KR, KZ, LA, LC, LK, LR, LS, LT, LU, LY, MA, MD, ME, MG, MK, MN, MW, MX, MY, MZ, NA, NG, NI, NO, NZ, OM, PE, PG, PH, PL, PT, QA, RO, RS, RU, RW, SC, SD, SE, SG, SK, SL, SM, ST, SV, SY, TH, TJ, TM, TN, TR, TT, TZ, UA, UG, US, UZ, VC, VN, ZA, ZM, ZW.

(84) **Designated States** (unless otherwise indicated, for every kind of regional protection available): ARIPO (BW, GH, GM, KE, LR, LS, MW, MZ, NA, RW, SD, SL, SZ, TZ, UG, ZM, ZW), Eurasian (AM, AZ, BY, KG, KZ, RU, TJ, TM), European (AL, AT, BE, BG, CH, CY, CZ, DE, DK, EE, ES, FI, FR, GB, GR, HR, HU, IE, IS, IT, LT, LU, LV, MC, MK, MT, NL, NO, PL, PT, RO, RS, SE, SI, SK, SM, TR), OAPI (BF, BJ, CF, CG, CI, CM, GA, GN, GQ, GW, ML, MR, NE, SN, TD, TG).

**Declarations under Rule 4.17:**

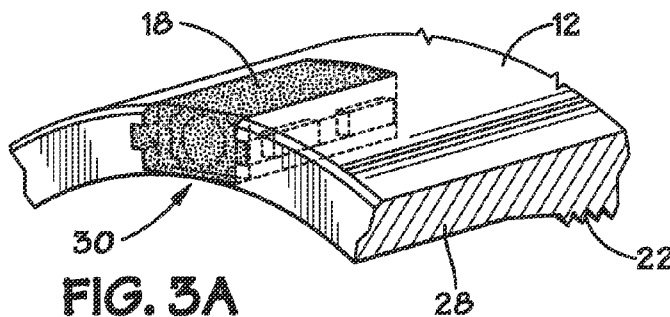
- as to applicant's entitlement to apply for and be granted a patent (Rule 4.17(ii))
- as to the applicant's entitlement to claim the priority of the earlier application (Rule 4.17(iii))

**Published:**

- with international search report (Art. 21(3))
- before the expiration of the time limit for amending the claims and to be republished in the event of receipt of amendments (Rule 48.2(h))

[Continued on next page]

(54) **Title:** IDENTIFICATION TAGS AND SYSTEMS SUITABLE FOR THIN-WALLED COMPONENTS



(57) **Abstract:** Various identification tags are disclosed. In one embodiment, a system includes a coupling with an extended skirt having an opening to receive an identification tag. The identification tag may be configured to be snapped into the opening, slid into the opening, or threaded into the opening, for example. The identification tag, such as an RFID tag, may include an electronics module to enable wireless communication with a reader. The electronics module may be received within a body to facilitate installation and retention of the tag and increase durability. The disclosed tags may also be installed in other components. Various other tags, systems, devices, and methods pertaining to identification tags are also disclosed.



**(88) Date of publication of the international search report:**  
7 November 2013

INTERNATIONAL SEARCH REPORT

International application No  
PCT/US2012/052840

A. CLASSIFICATION OF SUBJECT MATTER  
INV. E21B17/00  
ADD.  
According to International Patent Classification (IPC) or to both national classification and IPC

B. FIELDS SEARCHED  
Minimum documentation searched (classification system followed by classification symbols)  
E21B F16L

Documentation searched other than minimum documentation to the extent that such documents are included in the fields searched

Electronic data base consulted during the international search (name of data base and, where practicable, search terms used)  
EPO-Internal, WPI Data

C. DOCUMENTS CONSIDERED TO BE RELEVANT

Category*	Citation of document, with indication, where appropriate, of the relevant passages	Relevant to claim No.
X	DE 10 2008 008423 A1 (IMC MESSYSTEME GMBH [DE]) 27 August 2009 (2009-08-27) paragraphs [0004], [0006], [0032], [0036]; figures 1,5 -----	1-18,28
E	WO 2012/152657 A1 (VALLOUREC MANNESMANN OIL & GAS [FR]; AMES JOCHEN PETER [BR]; CARDOSO A) 15 November 2012 (2012-11-15) page 6, line 18 - line 31 page 8, line 24 - line 40 claim 1; figures 3,4 -----	1
A	FR 2 891 888 A1 (COMAP SA [FR]) 13 April 2007 (2007-04-13) page 1, line 35 - page 2, line 12 page 3, line 24 - page 4, line 12 figure 1 ----- -/--	1-18,28

Further documents are listed in the continuation of Box C.

See patent family annex.

\* Special categories of cited documents :

- "A" document defining the general state of the art which is not considered to be of particular relevance
- "E" earlier application or patent but published on or after the international filing date
- "L" document which may throw doubts on priority claim(s) or which is cited to establish the publication date of another citation or other special reason (as specified)
- "O" document referring to an oral disclosure, use, exhibition or other means
- "P" document published prior to the international filing date but later than the priority date claimed

"T" later document published after the international filing date or priority date and not in conflict with the application but cited to understand the principle or theory underlying the invention

"X" document of particular relevance; the claimed invention cannot be considered novel or cannot be considered to involve an inventive step when the document is taken alone

"Y" document of particular relevance; the claimed invention cannot be considered to involve an inventive step when the document is combined with one or more other such documents, such combination being obvious to a person skilled in the art

"&" document member of the same patent family

Date of the actual completion of the international search  3 May 2013	Date of mailing of the international search report  09/09/2013
---	--

Name and mailing address of the ISA/ European Patent Office, P.B. 5818 Patentlaan 2 NL - 2280 HV Rijswijk Tel. (+31-70) 340-2040, Fax: (+31-70) 340-3016	Authorized officer  Schneiderbauer, K
--	---

## INTERNATIONAL SEARCH REPORT

International application No  
PCT/US2012/052840

C(Continuation). DOCUMENTS CONSIDERED TO BE RELEVANT		
Category*	Citation of document, with indication, where appropriate, of the relevant passages	Relevant to claim No.
A	US 2002/158120 A1 (ZIEROLF JOSEPH A [US]) 31 October 2002 (2002-10-31) paragraphs [0023] - [0026]; figures 1,1a -----	1-18,28
A	WO 2006/036863 A1 (COLDER PROD CO [US]; JOHNSON ROBERT K [US]) 6 April 2006 (2006-04-06) page 4, line 6 - line 21 page 5, line 31 - page 6, line 18 page 8, line 26 - line 30 -----	1-18,28
A	US 2002/014966 A1 (STRASSNER BERND H [US] ET AL) 7 February 2002 (2002-02-07) paragraphs [0018], [0027], [0028]; figure 2 -----	1-18,28

# INTERNATIONAL SEARCH REPORT

International application No.  
PCT/US2012/052840

## Box No. II Observations where certain claims were found unsearchable (Continuation of item 2 of first sheet)

This international search report has not been established in respect of certain claims under Article 17(2)(a) for the following reasons:

1.  Claims Nos.:  
because they relate to subject matter not required to be searched by this Authority, namely:
  
2.  Claims Nos.:  
because they relate to parts of the international application that do not comply with the prescribed requirements to such an extent that no meaningful international search can be carried out, specifically:
  
3.  Claims Nos.:  
because they are dependent claims and are not drafted in accordance with the second and third sentences of Rule 6.4(a).

## Box No. III Observations where unity of invention is lacking (Continuation of item 3 of first sheet)

This International Searching Authority found multiple inventions in this international application, as follows:

see additional sheet

1.  As all required additional search fees were timely paid by the applicant, this international search report covers all searchable claims.
  
2.  As all searchable claims could be searched without effort justifying an additional fees, this Authority did not invite payment of additional fees.
  
3.  As only some of the required additional search fees were timely paid by the applicant, this international search report covers only those claims for which fees were paid, specifically claims Nos.:
  
4.  No required additional search fees were timely paid by the applicant. Consequently, this international search report is restricted to the invention first mentioned in the claims; it is covered by claims Nos.:

"see additional sheet(s)"

### Remark on Protest

- The additional search fees were accompanied by the applicant's protest and, where applicable, the payment of a protest fee.
- The additional search fees were accompanied by the applicant's protest but the applicable protest fee was not paid within the time limit specified in the invitation.
- No protest accompanied the payment of additional search fees.

**FURTHER INFORMATION CONTINUED FROM PCT/ISA/ 210**

This International Searching Authority found multiple (groups of) inventions in this international application, as follows:

## 1. claims: 1-18, 28

System with a coupling to join two tubular members with a first and a second end , one of the ends including an extended skirt portion having an opening configured to receive an ID tag.

---

## 2. claims: 19-23, 29-34

The identification tag comprises a body and an electronic module enclosed within the body wherein the body is configured to snap into the opening of a component.

---

## 3. claims: 24-27

The system comprises an Oil country tubular good in which the tag is installed at an opening location at which the opening does not reduce the structural integrity of the tubular good in a manner that would interfere with the intended operation of this tubular good.

---

## 4. claims: 35-40

A tool is provided with shank and four particular cutting surfaces wherein the thir and fourth cutting surface are configured to remove simultaneously material from a first and the second tool side.

---

## 5. claims: 41-43

A hand held reader which is aligned with the bore of one tubular member of a plurality of tubular members which have identification tags installed therein wherein the reader receives information from a particular tag and wherein the opening of the one tubular member facilitates receipt of this information.

---

## 6. claims: 44-54

An identification tag which includes a body with cylindrical profile with a plurality of ribs protruding from an exterior circumferential surface.

---

# INTERNATIONAL SEARCH REPORT

Information on patent family members

International application No PCT/US2012/052840
---

Patent document cited in search report	Publication date	Patent family member(s)	Publication date
DE 102008008423 A1	27-08-2009	NONE	
WO 2012152657 A1	15-11-2012	NONE	
FR 2891888 A1	13-04-2007	AT 471477 T	15-07-2010
		EP 1772659 A2	11-04-2007
		ES 2346556 T3	18-10-2010
		FR 2891888 A1	13-04-2007
US 2002158120 A1	31-10-2002	CA 2443787 A1	07-11-2002
		RU 2295140 C2	10-03-2007
		US 2002158120 A1	31-10-2002
		US 2006175404 A1	10-08-2006
		US 2010171593 A1	08-07-2010
		WO 02088618 A1	07-11-2002
WO 2006036863 A1	06-04-2006	CN 101076491 A	21-11-2007
		EP 1799610 A1	27-06-2007
		US 2006076419 A1	13-04-2006
		WO 2006036863 A1	06-04-2006
US 2002014966 A1	07-02-2002	AU 7789501 A	30-01-2002
		US 2002014966 A1	07-02-2002
		WO 0206632 A2	24-01-2002