

(19) World Intellectual Property Organization
International Bureau



(43) International Publication Date
3 June 2011 (03.06.2011)

(10) International Publication Number
WO 2011/064543 A3

- (51) **International Patent Classification:**
E21B 43/26 (2006.01) *G01V 1/28* (2006.01)
- (21) **International Application Number:**
PCT/GB2010/002176
- (22) **International Filing Date:**
25 November 2010 (25.11.2010)
- (25) **Filing Language:** English
- (26) **Publication Language:** English
- (30) **Priority Data:**
12/626,039 25 November 2009 (25.11.2009) US
- (71) **Applicant (for all designated States except US):** HAL-LIBURTON ENERGY SERVICES INC. [US/US]; PO Box 1431, Duncan, Oklahoma 73536 (US).
- (71) **Applicant (for MW only):** CURTIS, Philip, Anthony [GB/GB]; A A Thornton & Co, 235 High Holborn, London WC1V 7LE (GB).
- (72) **Inventor; and**
- (75) **Inventor/Applicant (for US only):** CRAIG, David, P. [US/US]; 14459 Williams Street, Thornton, Colorado 80602 (US).
- (74) **Agents:** COTTRILL, Emily, Elizabeth, Helen et al.; A A Thornton & Co, 235 High Holborn, London WC1V 7LE (GB).
- (81) **Designated States (unless otherwise indicated, for every kind of national protection available):** AE, AG, AL, AM,

AO, AT, AU, AZ, BA, BB, BG, BH, BR, BW, BY, BZ, CA, CH, CL, CN, CO, CR, CU, CZ, DE, DK, DM, DO, DZ, EC, EE, EG, ES, FI, GB, GD, GE, GH, GM, GT, HN, HR, HU, ID, IL, IN, IS, JP, KE, KG, KM, KN, KP, KR, KZ, LA, LC, LK, LR, LS, LT, LU, LY, MA, MD, ME, MG, MK, MN, MW, MX, MY, MZ, NA, NG, NI, NO, NZ, OM, PE, PG, PH, PL, PT, RO, RS, RU, SC, SD, SE, SG, SK, SL, SM, ST, SV, SY, TH, TJ, TM, TN, TR, TT, TZ, UA, UG, US, UZ, VC, VN, ZA, ZM, ZW.

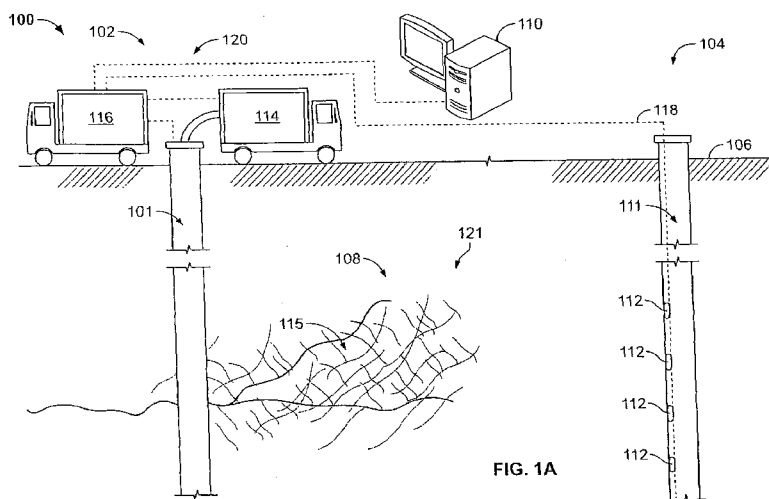
(84) **Designated States (unless otherwise indicated, for every kind of regional protection available):** ARIPO (BW, GH, GM, KE, LR, LS, MW, MZ, NA, SD, SL, SZ, TZ, UG, ZM, ZW), Eurasian (AM, AZ, BY, KG, KZ, MD, RU, TJ, TM), European (AL, AT, BE, BG, CH, CY, CZ, DE, DK, EE, ES, FI, FR, GB, GR, HR, HU, IE, IS, IT, LT, LU, LV, MC, MK, MT, NL, NO, PL, PT, RO, RS, SE, SI, SK, SM, TR), OAPI (BF, BJ, CF, CG, CI, CM, GA, GN, GQ, GW, ML, MR, NE, SN, TD, TG).

Published:

- with international search report (Art. 21(3))
- before the expiration of the time limit for amending the claims and to be republished in the event of receipt of amendments (Rule 48.2(h))

(88) **Date of publication of the international search report:**
15 December 2011

(54) **Title:** REFINING INFORMATION ON SUBTERRANEAN FRACTURES



(57) **Abstract:** Systems, methods, and instructions encoded in a computer-readable medium can perform operations related to refining information on characteristics of natural fractures of a subterranean formation. Fracture pattern models are generated based on sampling an initial distribution of values for a fracture parameter. Each fracture pattern model may include, for example, a model of natural fractures in a subterranean formation. Each fracture pattern model is compared to microseismic event data for a subterranean region. A refined distribution for the fracture parameter is generated based on the comparison. Generating the refined distribution may include, for example, selecting values of the fracture parameter from fracture pattern models that correlate with the microseismic event data. In some implementations, an injection treatment may be simulated and/or designed based on the refined distribution.

WO 2011/064543 A3

INTERNATIONAL SEARCH REPORT

International application No
PCT/GB2010/002176

A. CLASSIFICATION OF SUBJECT MATTER INV. E21B43/26 G01V1/28 ADD.		
According to International Patent Classification (IPC) or to both national classification and IPC		
B. FIELDS SEARCHED		
Minimum documentation searched (classification system followed by classification symbols) E21B G01V		
Documentation searched other than minimum documentation to the extent that such documents are included in the fields searched		
Electronic data base consulted during the international search (name of data base and, where practical, search terms used) EPO-Internal		
C. DOCUMENTS CONSIDERED TO BE RELEVANT		
Category*	Citation of document, with indication, where appropriate, of the relevant passages	Relevant to claim No.
X	US 2007/272407 A1 (LEHMAN LYLE V [US] ET AL) 29 November 2007 (2007-11-29) paragraphs [0007], [0017], [0020], [0025], [0029], [0051], [0063], [0064]; figures 4a, 5, 6 -----	1-44
X	WO 2008/075242 A1 (SCHLUMBERGER CA LTD [CA]; SCHLUMBERGER SERVICES PETROL [FR]; SCHLUMBER) 26 June 2008 (2008-06-26) paragraph [0045] - paragraph [0047] -----	1-44
A	US 2009/145599 A1 (SIEBRITS EDUARD [US] ET AL) 11 June 2009 (2009-06-11) the whole document -----	1-44
<input type="checkbox"/> Further documents are listed in the continuation of Box C. <input checked="" type="checkbox"/> See patent family annex.		
* Special categories of cited documents :		
"A" document defining the general state of the art which is not considered to be of particular relevance "E" earlier document but published on or after the international filing date "L" document which may throw doubts on priority claim(s) or which is cited to establish the publication date of another citation or other special reason (as specified) "O" document referring to an oral disclosure, use, exhibition or other means "P" document published prior to the international filing date but later than the priority date claimed		"T" later document published after the international filing date or priority date and not in conflict with the application but cited to understand the principle or theory underlying the invention "X" document of particular relevance; the claimed invention cannot be considered novel or cannot be considered to involve an inventive step when the document is taken alone "Y" document of particular relevance; the claimed invention cannot be considered to involve an inventive step when the document is combined with one or more other such documents, such combination being obvious to a person skilled in the art. "&" document member of the same patent family
Date of the actual completion of the international search 22 September 2011		Date of mailing of the international search report 27/10/2011
Name and mailing address of the ISA/ European Patent Office, P.B. 5818 Patentlaan 2 NL - 2280 HV Rijswijk Tel. (+31-70) 340-2040, Fax: (+31-70) 340-3016		Authorized officer Ott, Stéphane

INTERNATIONAL SEARCH REPORT

Information on patent family members

International application No

PCT/GB2010/002176

Patent document cited in search report	Publication date	Patent family member(s)	Publication date
US 2007272407	A1	29-11-2007	NONE

WO 2008075242	A1	26-06-2008	AR 064451 A1 01-04-2009
		CA 2672852 A1	26-06-2008
		EA 200702563 A1	30-06-2008
		US 2008149329 A1	26-06-2008

US 2009145599	A1	11-06-2009	NONE
