



US00D367714S

United States Patent [19]

[11] Patent Number: **Des. 367,714**

Pennicook

[45] Date of Patent: ****Mar. 5, 1996**

[54] **IMMUNOASSAY TEST KIT**

[57] **CLAIM**

[75] Inventor: **Alexander Pennicook**, New South Wales, Australia

The ornamental design for a immunoassay test kit, as shown and described.

[73] Assignee: **Biotech Australia Pty Ltd.**, New South Wales, Australia

DESCRIPTION

[**] Term: **14 Years**

FIG. 1 is a perspective view of the immunoassay test kit as assembled showing my new design;

[21] Appl. No.: **17,237**

FIG. 2 is a perspective view thereof as unassembled;

[22] Filed: **Jan. 7, 1994**

FIG. 3 is a front, elevational plan view thereof as assembled;

[30] **Foreign Application Priority Data**

FIG. 4 is a front, elevational plan view thereof as unassembled;

Jul. 9, 1993 [AU] Australia 2097/93

FIG. 5 is a rear, elevational plan view thereof as assembled;

[52] U.S. Cl. **D24/223**; D24/224; D24/227

FIG. 6 is a rear, elevational plan view thereof as unassembled;

[58] Field of Search D24/227, 230, D24/229, 228, 223, 224; 422/102, 104; 211/71, 74, 49.1

FIG. 7 is a left, elevational plan view thereof;

[56] **References Cited**

FIG. 8 is a right, elevational plan view thereof;

U.S. PATENT DOCUMENTS

D. 227,180	6/1973	Brudsky	D24/223
4,160,803	7/1979	Potts	422/104 X
4,929,427	5/1990	Guala	422/104 X

FIG. 9 is a top, elevational plan view thereof as assembled;

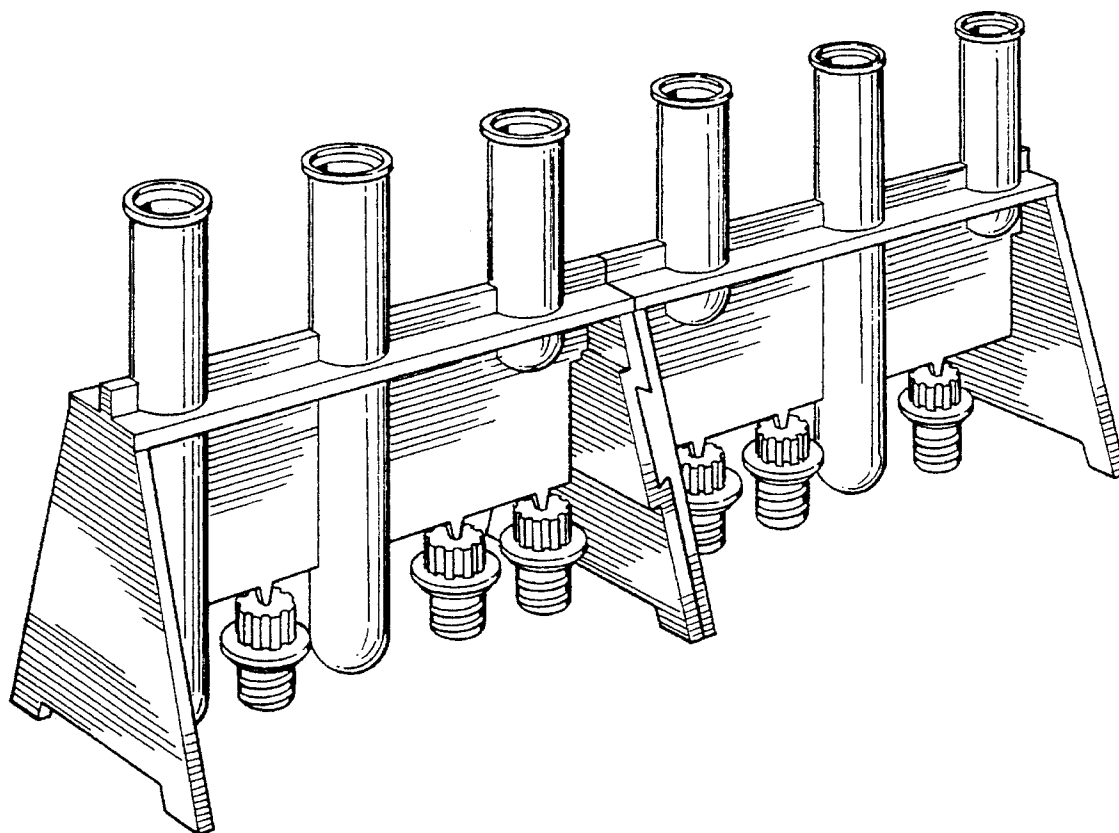
FIG. 10 is a top, elevational plan view thereof as unassembled;

FIG. 11 is a bottom, elevational plan view thereof as assembled; and,

FIG. 12 is a bottom, elevational plan view thereof as unassembled.

Primary Examiner—Louis S. Zarfas
Assistant Examiner—I. Simmons
Attorney, Agent, or Firm—Foley & Lardner

1 Claim, 9 Drawing Sheets



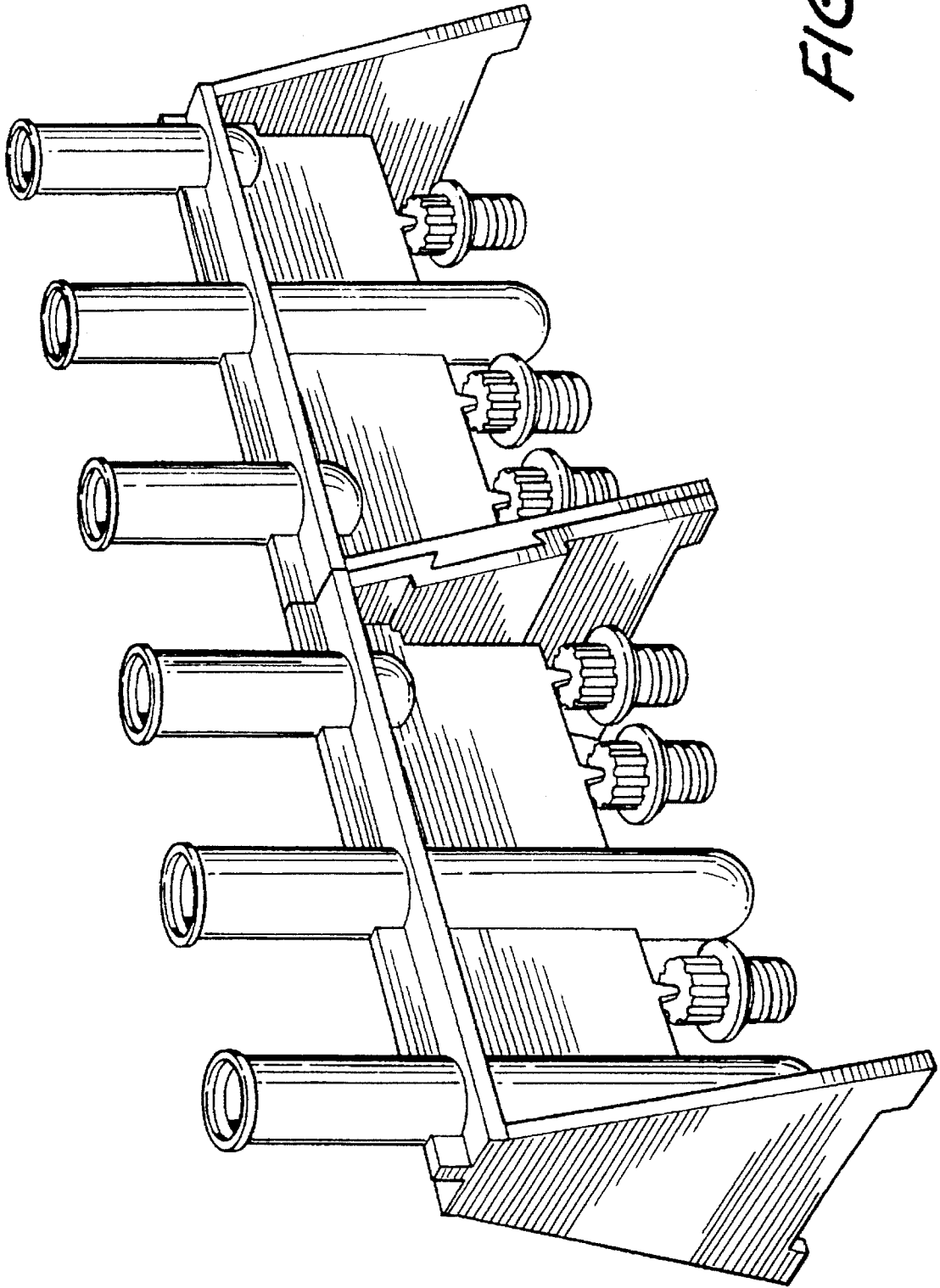


FIG. 1

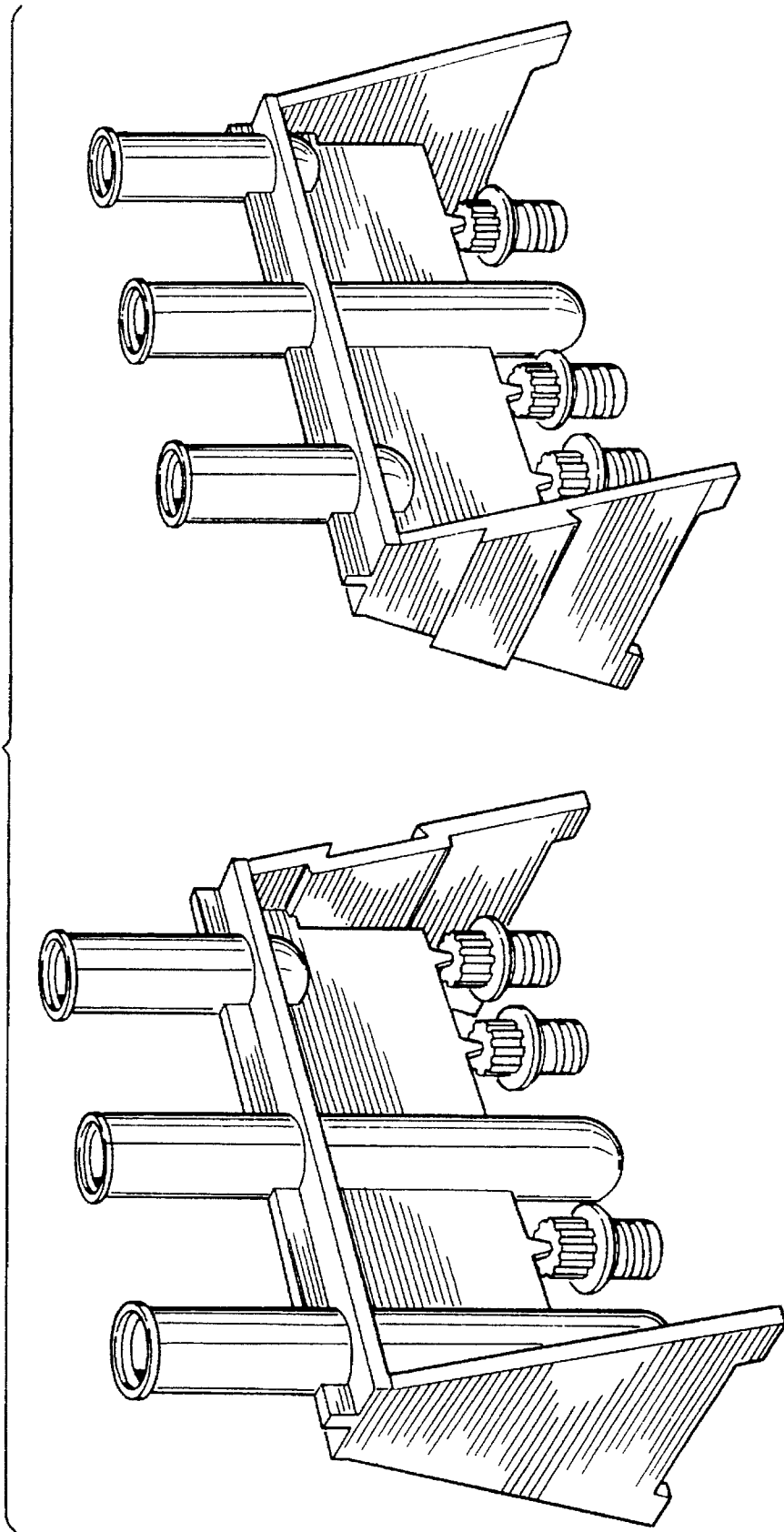


FIG. 2

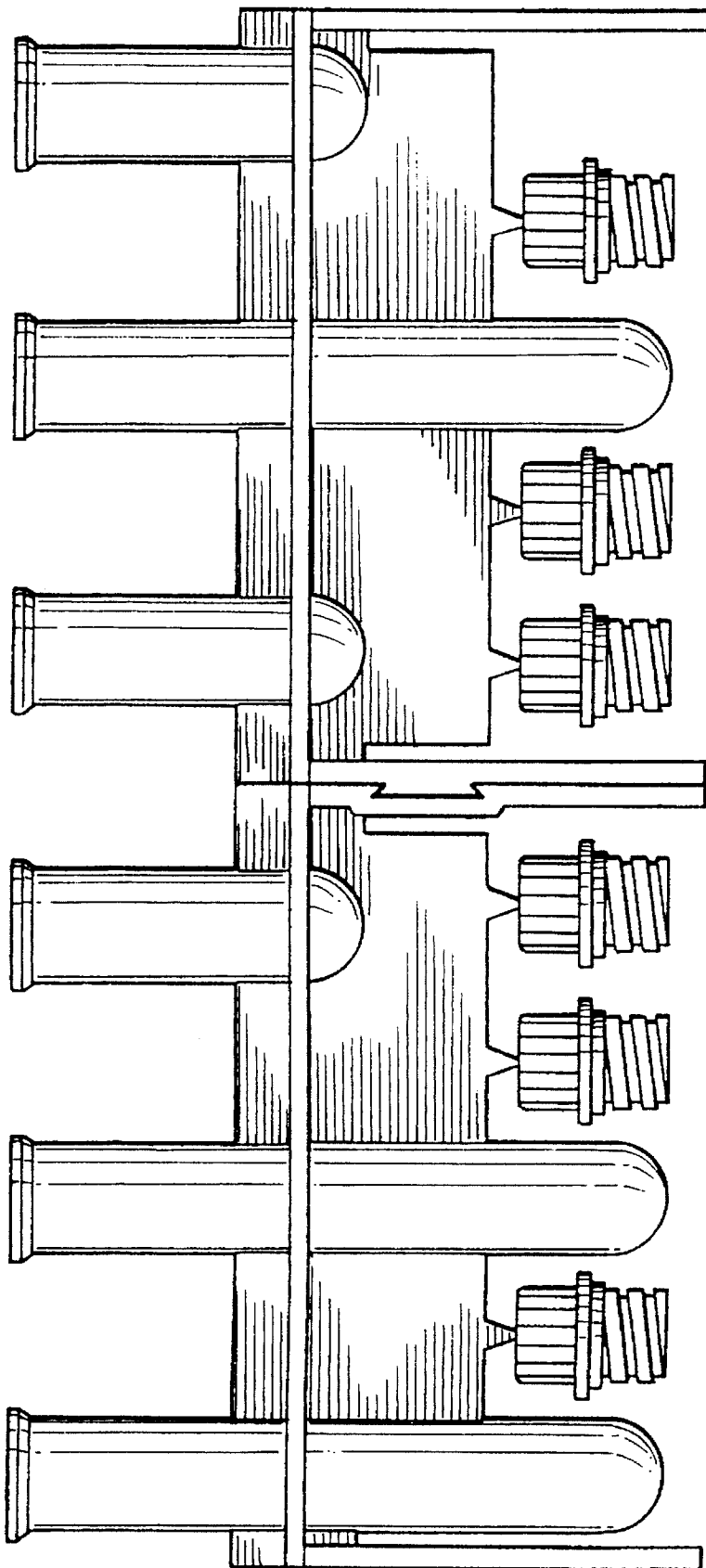


FIG. 3

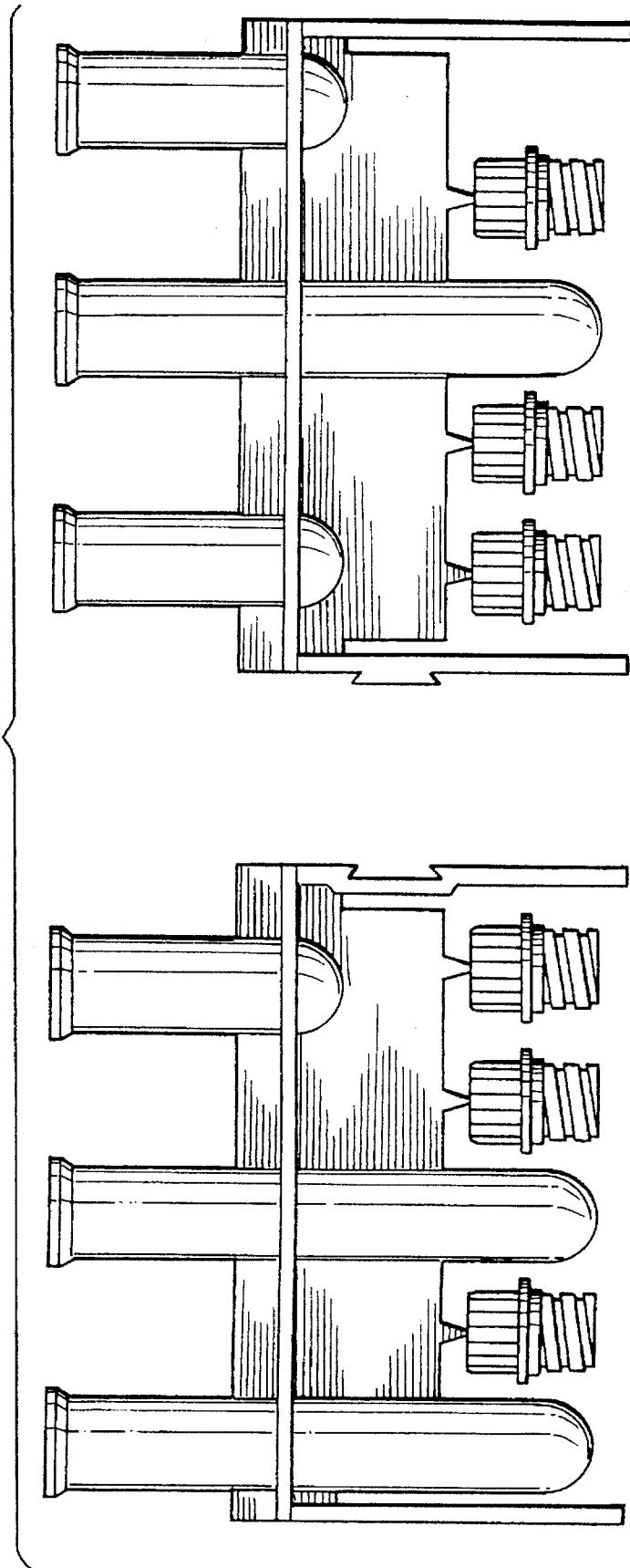


FIG. 4

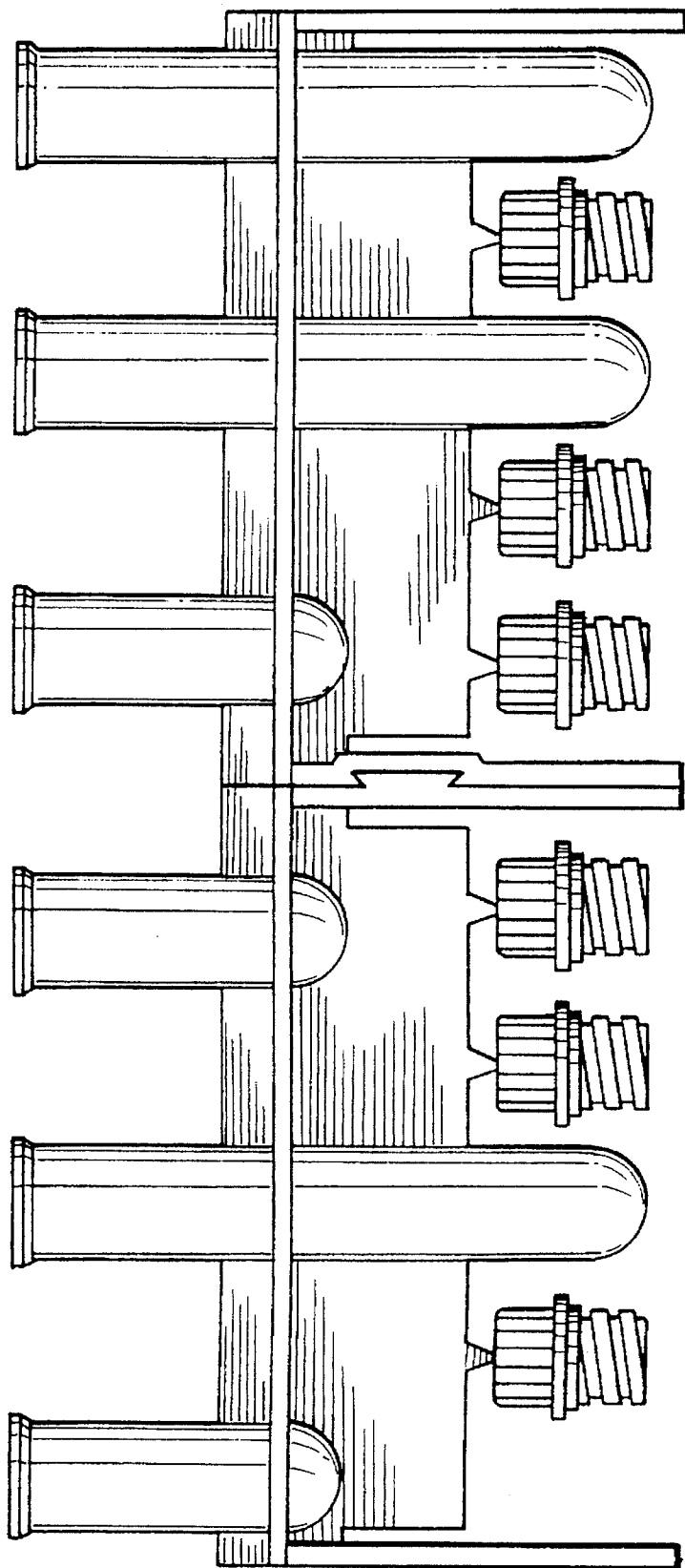


FIG. 5

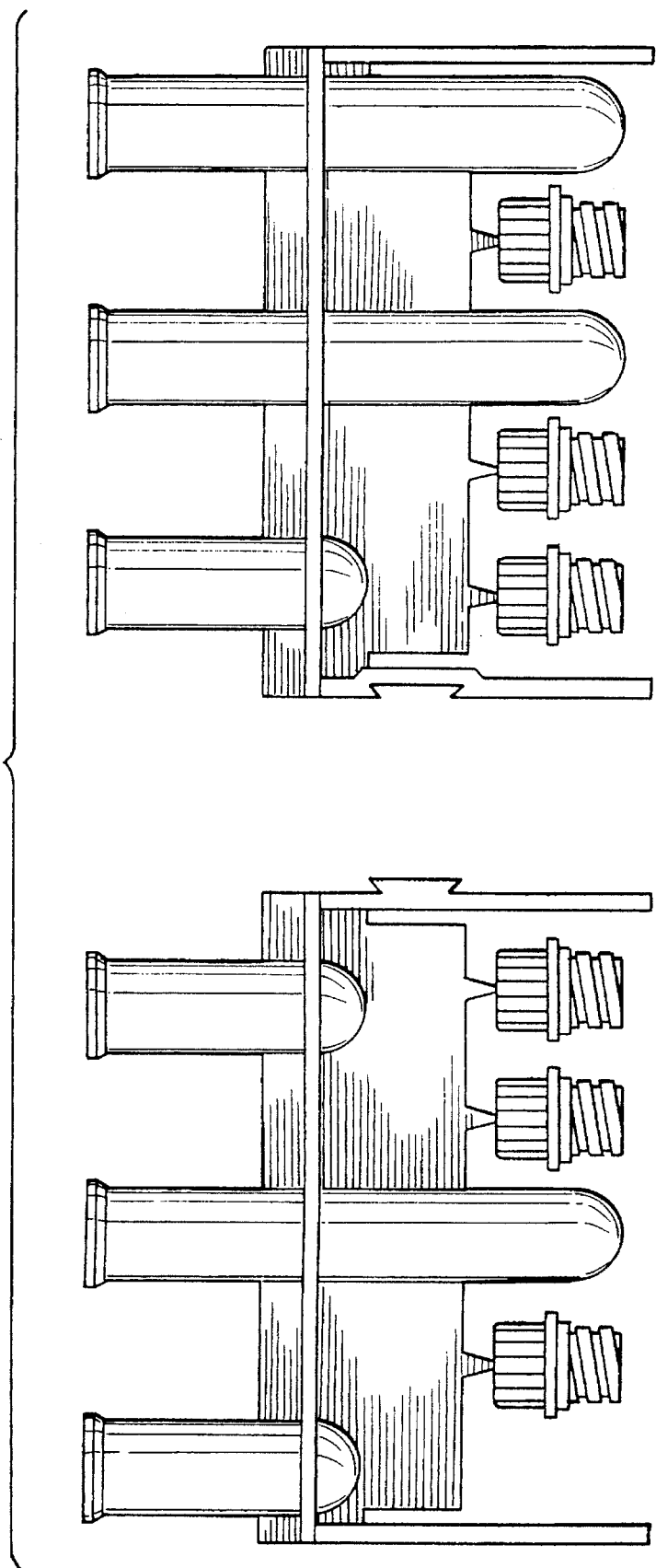


FIG. 6

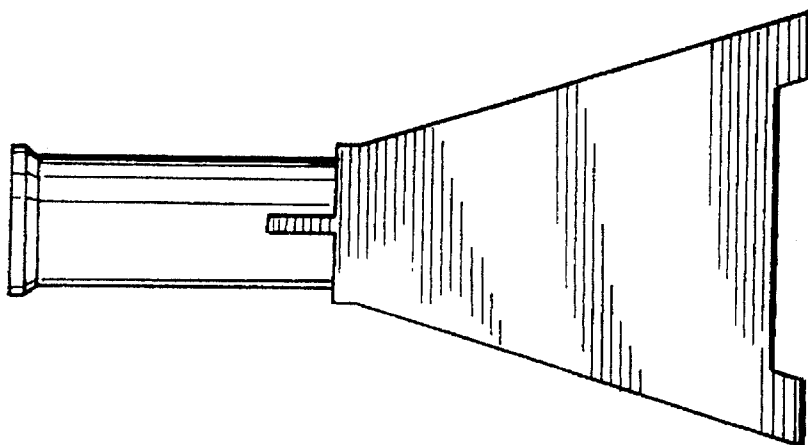


FIG. 8

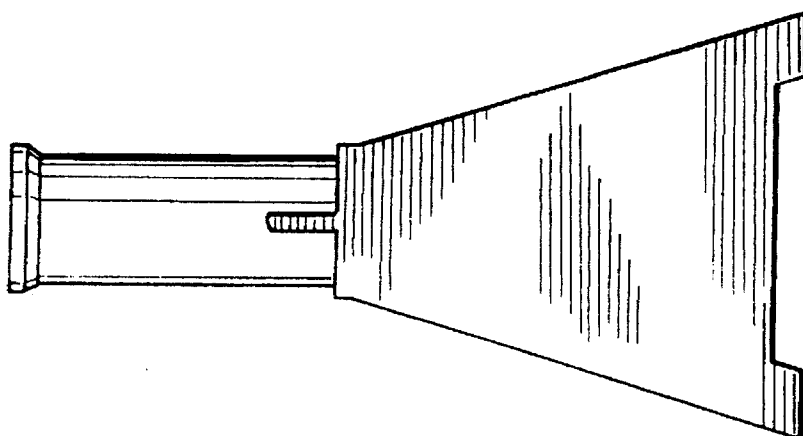


FIG. 7

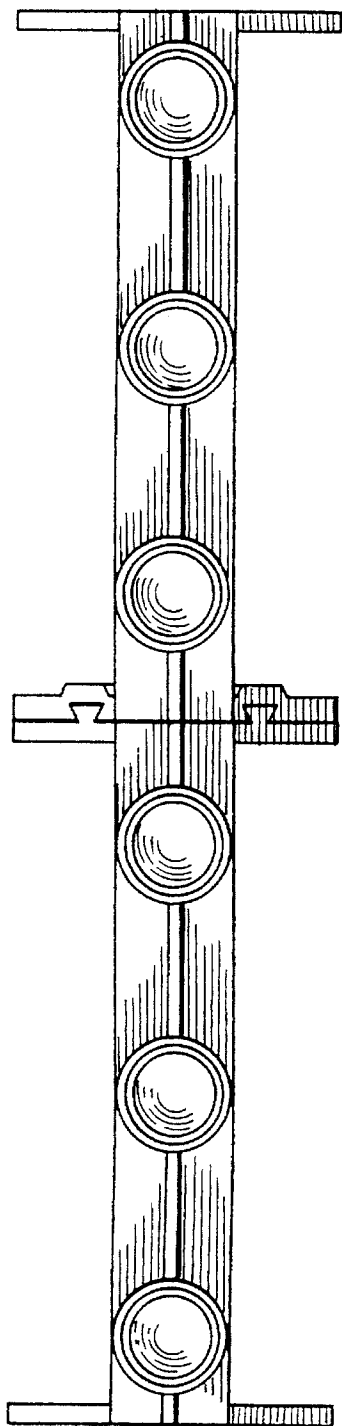


FIG. 9

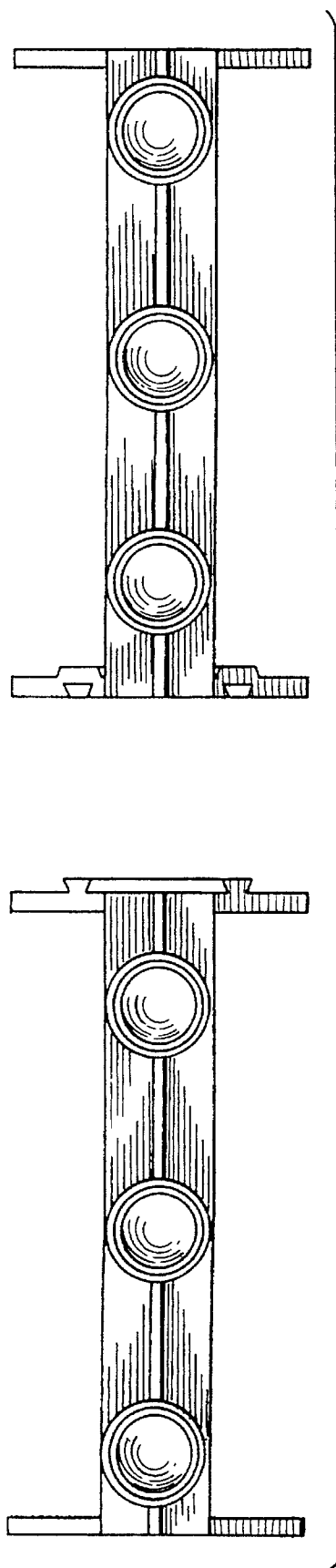


FIG. 10

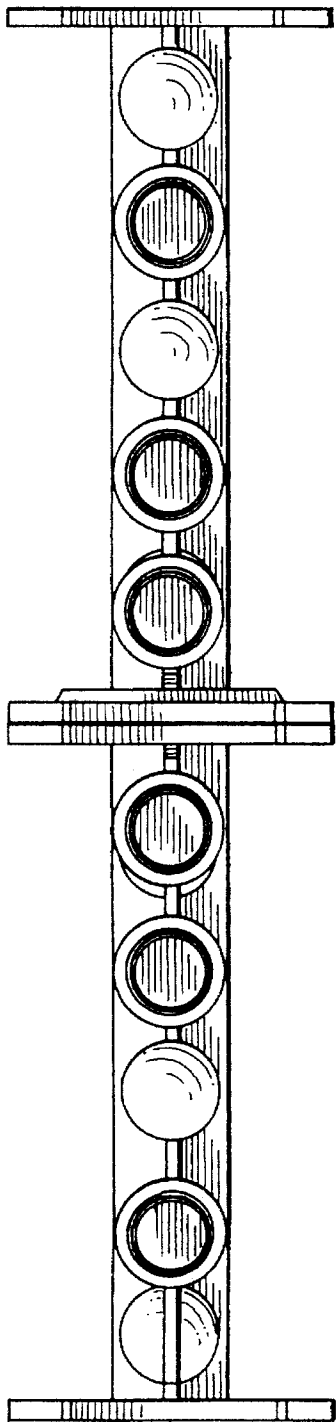


FIG. 11

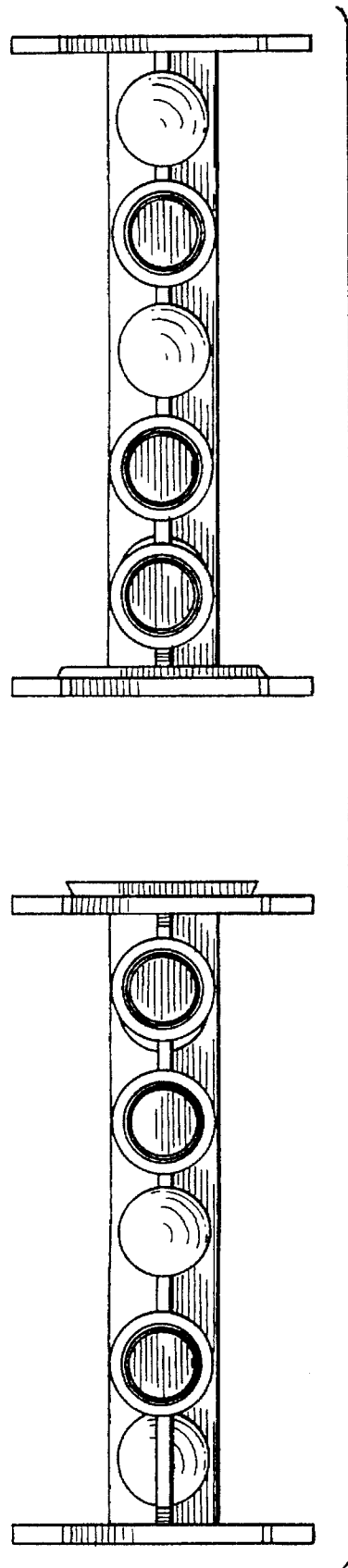


FIG. 12