

(19) World Intellectual Property Organization  
International Bureau



(43) International Publication Date  
7 June 2007 (07.06.2007)

PCT

(10) International Publication Number  
**WO 2007/065140 A3**

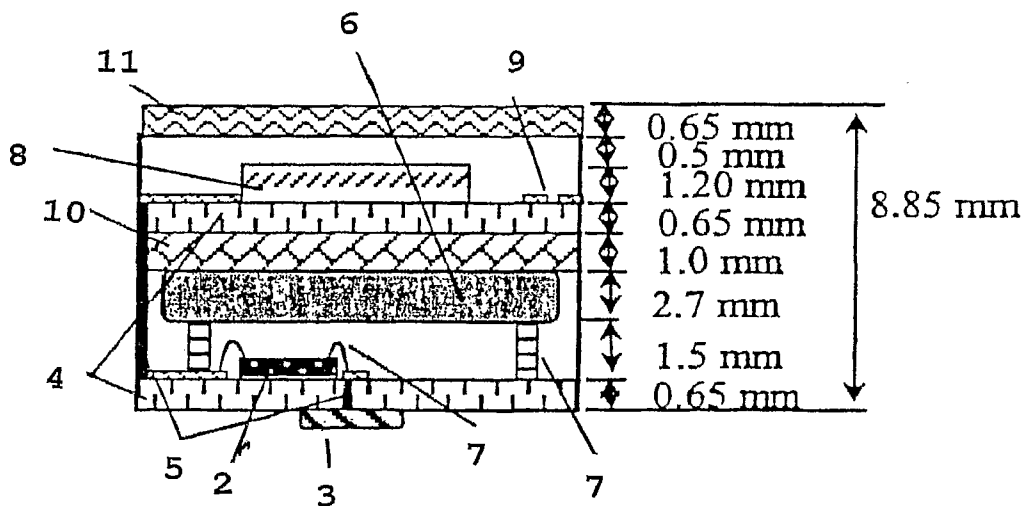
- (51) International Patent Classification:  
A61B 5/00 (2006.01)
- (21) International Application Number:  
PCT/US2006/061451
- (22) International Filing Date:  
1 December 2006 (01.12.2006)
- (25) Filing Language: English
- (26) Publication Language: English
- (30) Priority Data:  
60/741,308 1 December 2005 (01.12.2005) US
- (71) Applicant (for all designated States except US): **DREXEL UNIVERSITY** [US/US]; 32nd And Chestnut Streets, Philadelphia, PA 19104 (US).
- (71) Applicant (for US only): **NEFF, Janine** (heiress of the deceased inventor) [US/US]; 10 Llanfair Road, Suite 13, Ardmore, PA 19003 (US).
- (72) Inventor: **NEFF, Samuel R.** (deceased).
- (72) Inventors; and
- (75) Inventors/Applicants (for US only): **ROSEN, Arye** [US/US]; 508 Heartswood Road, Cherry Hill, NJ 08003 (US). **TOFIGHL, Mohammad-Reza** [IR/US]; 116 Forge Court, Malvern, PA 19355 (US).
- (74) Agents: **TYRRELL, Kathleen, A.** et al.; Licata & Tyrrell P.C., 66 E. Main Street, Marlton, NJ 08053 (US).

- (81) Designated States (unless otherwise indicated, for every kind of national protection available): AE, AG, AL, AM, AT, AU, AZ, BA, BB, BG, BR, BW, BY, BZ, CA, CH, CN, CO, CR, CU, CZ, DE, DK, DM, DZ, EC, EE, EG, ES, FI, GB, GD, GE, GH, GM, GT, HN, HR, HU, ID, IL, IN, IS, JP, KE, KG, KM, KN, KP, KR, KZ, LA, LC, LK, LR, LS, LT, LU, LV, LY, MA, MD, MG, MK, MN, MW, MX, MY, MZ, NA, NG, NI, NO, NZ, OM, PG, PH, PL, PT, RO, RS, RU, SC, SD, SE, SG, SK, SL, SM, SV, SY, TJ, TM, TN, TR, TT, TZ, UA, UG, US, UZ, VC, VN, ZA, ZM, ZW.
- (84) Designated States (unless otherwise indicated, for every kind of regional protection available): ARIPO (BW, GH, GM, KE, LS, MW, MZ, NA, SD, SL, SZ, TZ, UG, ZM, ZW), Eurasian (AM, AZ, BY, KG, KZ, MD, RU, TJ, TM), European (AT, BE, BG, CH, CY, CZ, DE, DK, EE, ES, FI, FR, GB, GR, HU, IE, IS, IT, LT, LU, LV, MC, NL, PL, PT, RO, SE, SI, SK, TR), OAPI (BF, BJ, CF, CG, CI, CM, GA, GN, GQ, GW, ML, MR, NE, SN, TD, TG).

- Published:**
  - with international search report
  - before the expiration of the time limit for amending the claims and to be republished in the event of receipt of amendments
- (88) Date of publication of the international search report:  
1 November 2007

For two-letter codes and other abbreviations, refer to the "Guidance Notes on Codes and Abbreviations" appearing at the beginning of each regular issue of the PCT Gazette.

(54) Title: SELF-CONTAINED, IMPLANTABLE, INTRACRANIAL PRESSURE SENSING DEVICE AND METHODS FOR ITS USE IN MONITORING INTRACRANIAL PRESSURE



(57) Abstract: A reliable and mass-producible microelectromechanical (MEMS) -based microwave intracranial pressure sensing device for use with a portable microwave monitor and methods for non-invasively monitoring intracranial pressure with this device are provided.

WO 2007/065140 A3

INTERNATIONAL SEARCH REPORT

International application No.

PCT/US06/61451

A. CLASSIFICATION OF SUBJECT MATTER  
 IPC(8) - A61B 5/00 (2007.01)  
 USPC - 600/561  
 According to International Patent Classification (IPC) or to both national classification and IPC

B. FIELDS SEARCHED

Minimum documentation searched (classification system followed by classification symbols)  
 IPC(8) - A61B 5/00 (2007.01)  
 USPC - 600/561

Documentation searched other than minimum documentation to the extent that such documents are included in the fields searched

Electronic data base consulted during the international search (name of data base and, where practicable, search terms used)  
 PatBase

C. DOCUMENTS CONSIDERED TO BE RELEVANT

Category *	Citation of document, with indication, where appropriate, of the relevant passages	Relevant to claim No.
Y	US 6,248,080 B1 (MIESEL et al) 19 June 2001 (19.06.2001) see entire document	1-4
Y	US 2002/0177782 A1 (PENNER) 28 November 2002 (28.11.2002) see entire document	1-4
Y	US 2004/0262645 A1 (HUFF et al) 30 December 2004 (30.12.2004) see entire document	2

Further documents are listed in the continuation of Box C.

- \* Special categories of cited documents:
- "A" document defining the general state of the art which is not considered to be of particular relevance
- "E" earlier application or patent but published on or after the international filing date
- "I" document which may throw doubts on priority claim(s) or which is cited to establish the publication date of another citation or other special reason (as specified)
- "O" document referring to an oral disclosure, use, exhibition or other means
- "P" document published prior to the international filing date but later than the priority date claimed
- "T" later document published after the international filing date or priority date and not in conflict with the application but cited to understand the principle or theory underlying the invention
- "X" document of particular relevance; the claimed invention cannot be considered novel or cannot be considered to involve an inventive step when the document is taken alone
- "Y" document of particular relevance; the claimed invention cannot be considered to involve an inventive step when the document is combined with one or more other such documents, such combination being obvious to a person skilled in the art
- "&" document member of the same patent family

Date of the actual completion of the international search 01 August 2007	Date of mailing of the international search report <b>12 SEP 2007</b>
---	--

Name and mailing address of the ISA/US Mail Stop PCT, Attn: ISA/US, Commissioner for Patents P.O. Box 1450, Alexandria, Virginia 22313-1450 Facsimile No. 571-273-3201	Authorized officer: Blaine R. Copenheaver PCT Helpdesk: 571-272-4300 PCT OSP: 571-272-7774
---	---