



US00D421229S

**United States Patent** [19]  
**Imai**

[11] **Patent Number: Des. 421,229**

[45] **Date of Patent: \*\* Feb. 29, 2000**

[54] **LASER DISTANCE METER**

D. 371,977 7/1996 Knutson ..... D10/70  
D. 399,438 10/1998 Lamento ..... D10/70

[75] Inventor: **Takashi Imai**, Otsu, Japan

[73] Assignee: **Optex Co., Ltd.**, Shiga, Japan

[\*\*] Term: **14 Years**

*Primary Examiner*—Antoine Duval Davis  
*Attorney, Agent, or Firm*—Price, Gess & Ubell

[21] Appl. No.: **29/103,199**

[22] Filed: **Apr. 9, 1999**

[57] **CLAIM**

The original design for a laser distance meter, as shown and described.

[30] **Foreign Application Priority Data**

Oct. 19, 1998 [JP] Japan ..... 10-30378

**DESCRIPTION**

[51] **LOC (6) Cl.** ..... **10-04**

[52] **U.S. Cl.** ..... **D10/70**

[58] **Field of Search** ..... D10/70; 33/261,  
33/285, 286, 700-719; 356/138, 139.03,  
141.3, 142, 5.12, 4.05, 5.07, 5.15, 28.5,  
5.09

FIG. 1 is a perspective view of a laser distance meter showing our new design;

FIG. 2 is a front elevational view thereof;

FIG. 3 is a rear elevational view thereof;

FIG. 4 is a top plan view thereof;

FIG. 5 is a bottom plan view thereof; and,

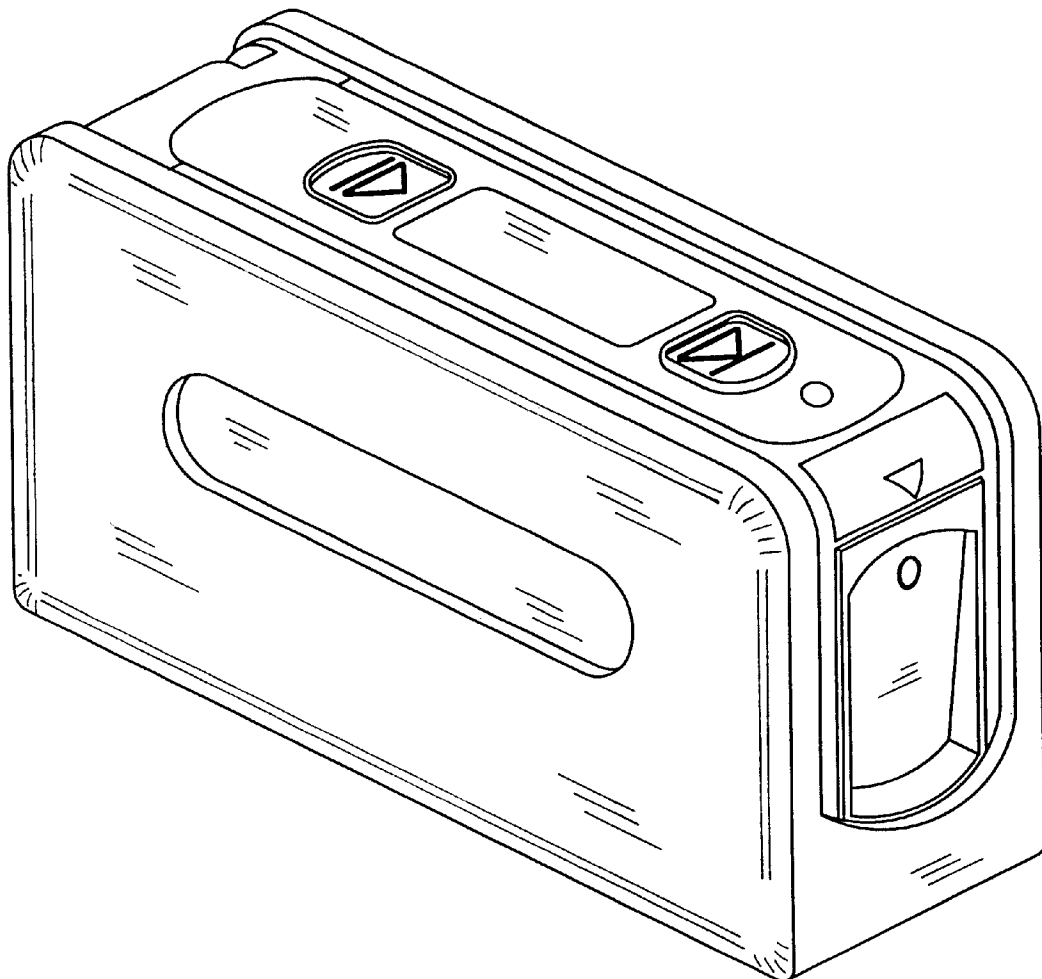
FIG. 6 is a left side elevational view thereof; (of which a right side elevational view would be a mirror image).

[56] **References Cited**

**U.S. PATENT DOCUMENTS**

D. 278,211 4/1985 Koch ..... D10/46

**1 Claim, 2 Drawing Sheets**



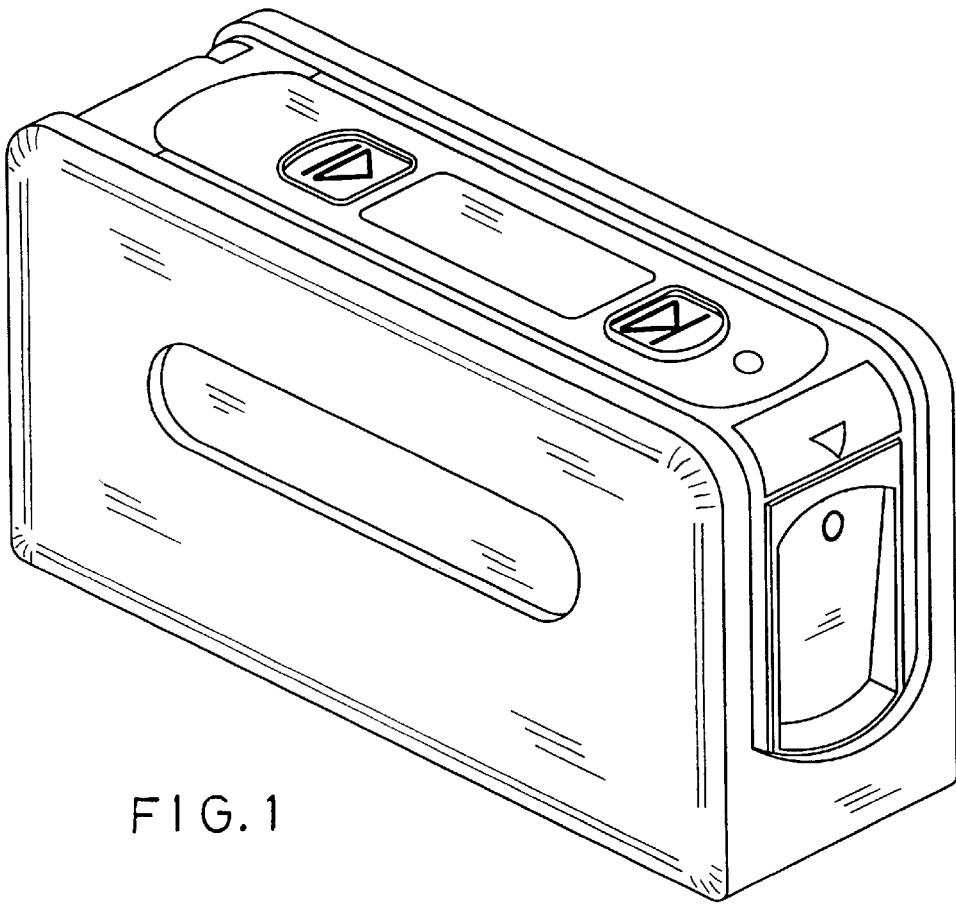


FIG. 1

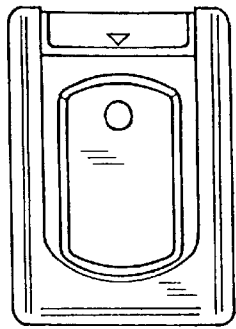


FIG. 2

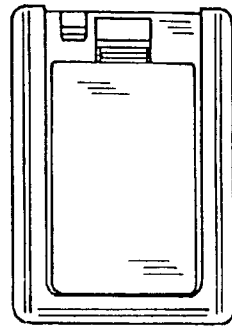


FIG. 3

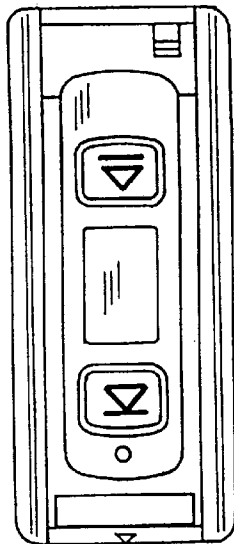


FIG. 4

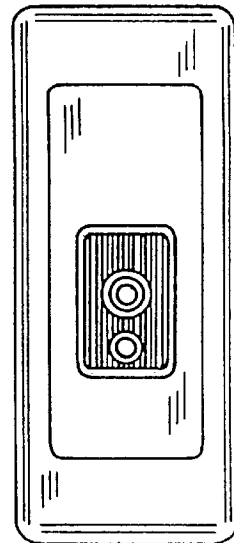


FIG. 5

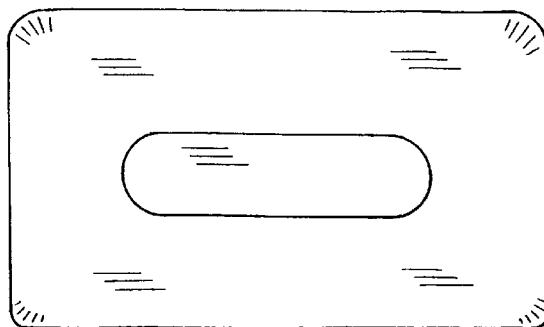


FIG. 6