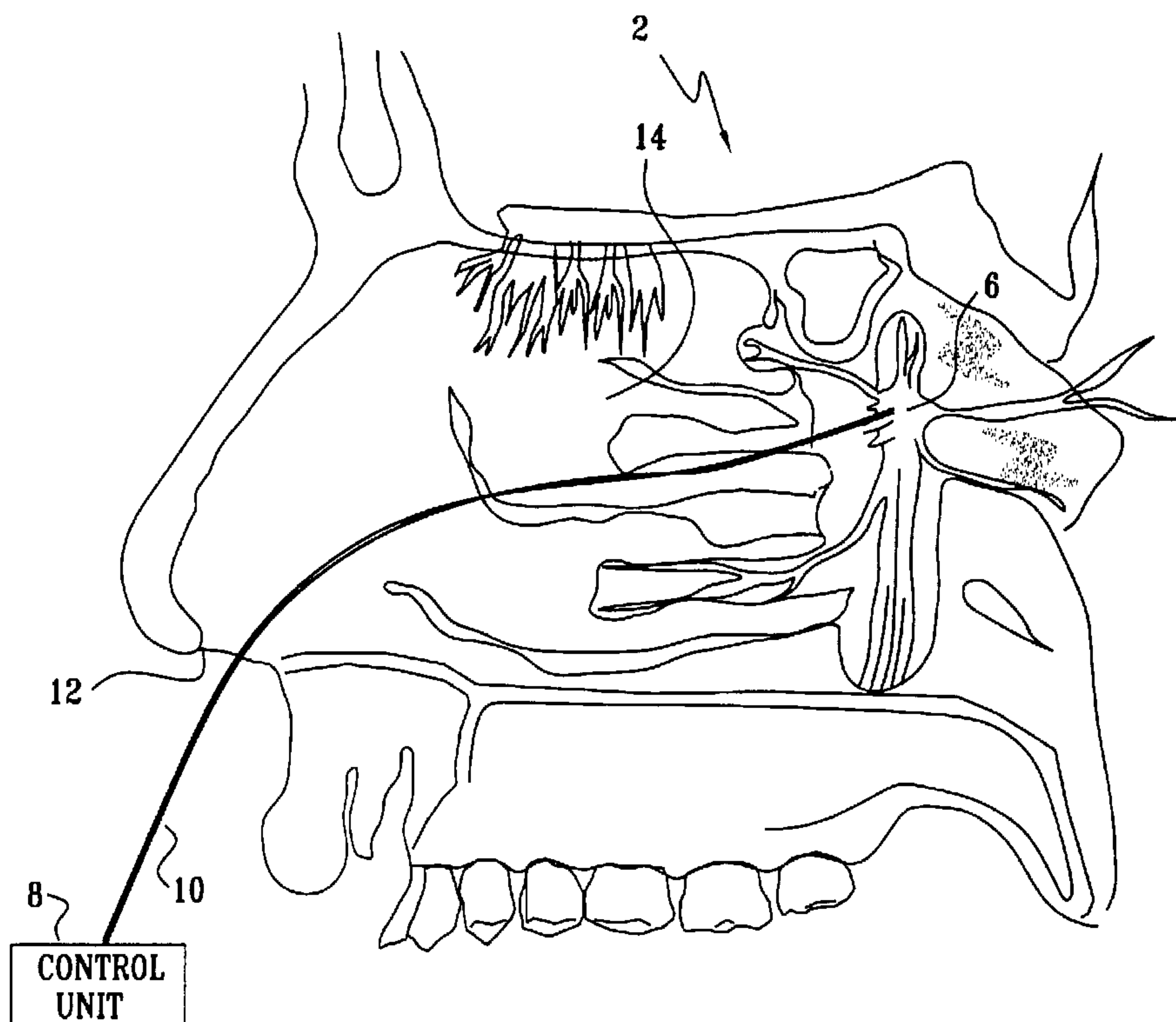




(86) Date de dépôt PCT/PCT Filing Date: 2001/05/07
 (87) Date publication PCT/PCT Publication Date: 2001/11/15
 (85) Entrée phase nationale/National Entry: 2002/11/07
 (86) N° demande PCT/PCT Application No.: IL 2001/000402
 (87) N° publication PCT/PCT Publication No.: 2001/085094
 (30) Priorité/Priority: 2000/05/08 (60/203,172) US

(51) Cl.Int.⁷/Int.Cl.⁷ A61B 10/00
 (71) Demandeur/Applicant:
BRAINSGATE LTD., IL
 (72) Inventeurs/Inventors:
SHALEV, ALON, IL;
GROSS, YOSSI, IL
 (74) Agent: SMART & BIGGAR

(54) Titre : METHODE ET APPAREIL PERMETTANT DE STIMULER LE GANGLION SPHENO-PALATIEN AFIN DE
MODIFIER LES PROPRIETES DE LA BARRIERE HEMATO-ENCEPHALIQUE ET DU DEBIT SANGUIN CEREBRAL
 (54) Title: METHOD AND APPARATUS FOR STIMULATING THE SPHENOPALATINE GANGLION TO MODIFY
PROPERTIES OF THE BBB AND CEREBRAL BLOOD FLOW



(57) Abrégé/Abstract:

Apparatus for modifying a property of a brain of a patient is provided, including one or more electrodes (7), adapted to be applied to a site selected from a group of sites consisting of: a sphenopalatine ganglion (SPG) (6) of the patient and a neural tract originating in or leading to the SPG. A control unit (8) is adapted to drive the one or more electrodes to apply a current to the site capable of inducing (a) an increase in permeability of a blood-brain barrier (BBB) of the patient, (b) a change in cerebral blood flow of the patient, and/or (c) an inhibition of parasympathetic activity of the SPG.

(12) INTERNATIONAL APPLICATION PUBLISHED UNDER THE PATENT COOPERATION TREATY (PCT)

(19) World Intellectual Property Organization
International Bureau



(43) International Publication Date
15 November 2001 (15.11.2001)

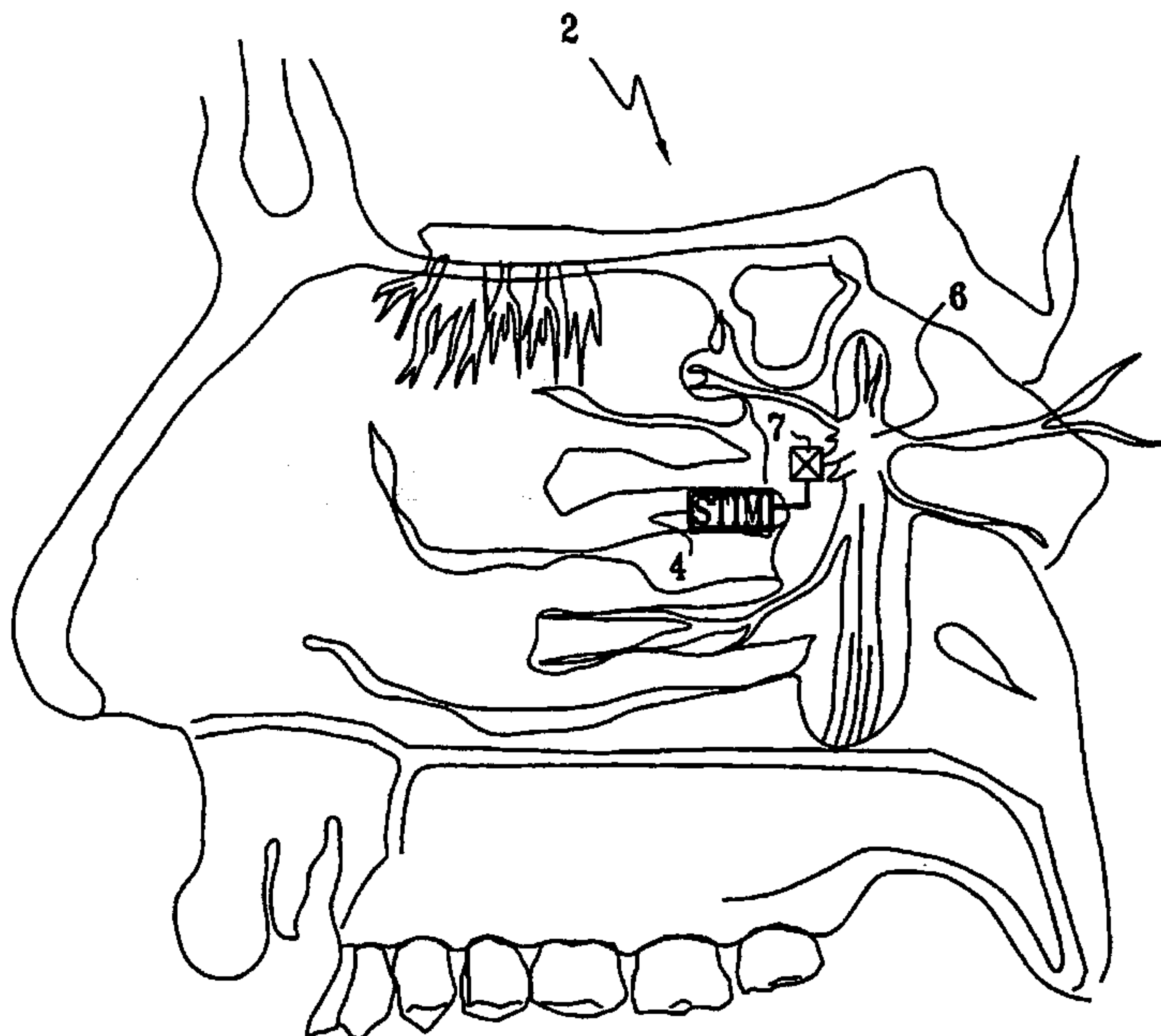
PCT

(10) International Publication Number
WO 01/85094 A3

- (51) International Patent Classification⁷: **A61B 10/00**
- (21) International Application Number: PCT/IL01/00402
- (22) International Filing Date: 7 May 2001 (07.05.2001)
- (25) Filing Language: English
- (26) Publication Language: English
- (30) Priority Data:
60/203,172 8 May 2000 (08.05.2000) US
- (71) Applicant (for all designated States except US): **BRAINS-GATE LTD.** [IL/IL]; Hanotea Street 10, 73160 Moshav Mazor (IL).
- (72) Inventors; and
- (75) Inventors/Applicants (for US only): **SHALEV, Alon** [IL/IL]; Moshe Shapira Street 2, 43729 Raanana (IL).
GROSS, Yossi [IL/IL]; Hanotea Street 10, 73160 Moshav Mazor (IL).
- (74) Agents: **SANFORD T. COLB & CO.** et al.; P.O. Box 2273, 76122 Rehovot (IL).
- (81) Designated States (*national*): AE, AG, AL, AM, AT, AU, AZ, BA, BB, BG, BR, BY, BZ, CA, CH, CN, CO, CR, CU, CZ, DE, DK, DM, DZ, EC, EE, ES, FI, GB, GD, GE, GH, GM, HR, HU, ID, IL, IN, IS, JP, KE, KG, KP, KR, KZ, LC, LK, LR, LS, LT, LU, LV, MA, MD, MG, MK, MN, MW, MX, MZ, NO, NZ, PL, PT, RO, RU, SD, SE, SG, SI, SK, SL, TJ, TM, TR, TT, TZ, UA, UG, US, UZ, VN, YU, ZA, ZW.
- (84) Designated States (*regional*): ARIPO patent (GH, GM, KE, LS, MW, MZ, SD, SL, SZ, TZ, UG, ZW), Eurasian patent (AM, AZ, BY, KG, KZ, MD, RU, TJ, TM), European patent (AT, BE, CH, CY, DE, DK, ES, FI, FR, GB, GR, IE, IT, LU, MC, NL, PT, SE, TR), OAPI patent (BF, BJ, CF, CG, CI, CM, GA, GN, GW, ML, MR, NE, SN, TD, TG).
- Published:
— with international search report
- (88) Date of publication of the international search report:
28 March 2002

[Continued on next page]

(54) Title: METHOD AND APPARATUS FOR STIMULATING THE SPHENOPALATINE GANGLION TO MODIFY PROPERTIES OF THE BBB AND CEREBRAL BLOOD FLOW



(57) Abstract: Apparatus for modifying a property of a brain of a patient is provided, including one or more electrodes (7), adapted to be applied to a site selected from a group of sites consisting of: a sphenopalatine ganglion (SPG) (6) of the patient and a neural tract originating in or leading to the SPG. A control unit (8) is adapted to drive the one or more electrodes to apply a current to the site capable of inducing (a) an increase in permeability of a blood-brain barrier (BBB) of the patient, (b) a change in cerebral blood flow of the patient, and/or (c) an inhibition of parasympathetic activity of the SPG.

WO 01/85094 A3

WO 01/85094 A3



For two-letter codes and other abbreviations, refer to the "Guidance Notes on Codes and Abbreviations" appearing at the beginning of each regular issue of the PCT Gazette.

Because of the BBB, certain non-surgical treatments of the brain based upon systemic introduction of compounds through the bloodstream have been ineffective or less effective. For example, chemotherapy has been relatively ineffective in the treatment of CNS metastases of systemic cancers (e.g., breast cancer, small cell lung cancer, lymphoma, and germ cell tumors), despite clinical regression and even complete remission of these tumors in non-CNS systemic locations. The most important factors determining drug delivery from blood into the CNS are lipid solubility, molecular mass, and electrical charge. A good correlation exists between the lipid solubility of a drug, expressed as the octanol/water partition coefficient, and the drug's ability to penetrate or diffuse across the BBB. This is particularly relevant for drugs with molecular weights smaller than 600 Da. The normal BBB prevents the passage of ionized water soluble drugs with a molecular weight greater than 180 dalton (Da). Most currently-available effective chemotherapeutic agents, however, have a molecular weight between 200 and 1200 Da. Therefore, based both on their lipid solubilities and molecular masses, the passage of many agents is impeded by the BBB.

In addition to transcellular diffusion of lipophilic agents, there are several specific transport mechanisms to carry certain molecules across the brain's endothelial cells. Specific transport proteins exist for required molecules, such as glucose and amino acids. Additionally, absorptive endocytosis and transcytosis occur for cationized plasma proteins. Specific receptors for certain proteins, such as transferrin and insulin, mediate endocytosis and transport across the cell.

Non-surgical treatment of neurological disorders is generally limited to systemic introduction of compounds such as neuropharmaceuticals and other neurologically-active agents that might remedy or modify neurologically-related activities and disorders. Such treatment is limited, however, by the relatively small number of known compounds that pass through the BBB. Even those that do cross the BBB often produce adverse reactions in other parts of the body or in non-targeted regions of the brain.

There have been a number of different studies regarding efforts to cross the BBB -- specifically, with regard to overcoming the limited access of drugs to the brain. Such efforts have included, for example, chemical modification, development of more hydrophobic analogs, or linking an active compound to a specific carrier. Transient opening of the BBB in humans has been achieved by intracarotid infusion of hypertonic

mannitol solutions or bradykinin analogs. Also, modulation of the P-glycoprotein, whose substrates are actively pumped out of brain cells into capillary lumens, has been found to facilitate the delivery of drugs to the brain. However, due to the inherent limitations of each of the aforementioned procedures, there is still a need for more generic, effective,
5 and predictable ways to cross the BBB.

It would also be desirable to develop controllable means for modulating cerebral blood flow. Many pathological conditions, such as stroke, migraine, and Alzheimer's disease, are significantly affected or exacerbated by abnormal cerebral blood flow.

The following references, which are incorporated herein by reference, may be
10 useful:

Delepine L, Aubineau P, "Plasma protein extravasation induced in the rat dura mater by stimulation of the parasympathetic sphenopalatine ganglion," *Experimental Neurology*, 147, 389-400 (1997)

Hara H, Zhang QJ, Kuroyanagi T, Kobayashi S, "Parasympathetic cerebrovascular
15 innervation: An anterograde tracing from the sphenopalatine ganglion in the rat," *Neurosurgery*, 32, 822-827 (1993)

Jolliet-Riant P, Tillement JP, "Drug transfer across the blood-brain barrier and improvement of brain delivery," *Fundam. Clin. Pharmacol.*, 13, 16-25 (1999)

Kroll RA, Neuwelt EA, "Outwitting the blood brain barrier for therapeutic
20 purposes: Osmotic opening and other means," *Neurosurgery*, 42, 1083-1100 (1998)

Sanders M, Zuurmond WW, "Efficacy of sphenopalatine ganglion blockade in 66 patients suffering from cluster headache: A 12-70 month follow-up evaluation," *Journal of Neurosurgery*, 87, 876-880 (1997)

Syelaz J, Hara H, Pinard E, Mraovitch S, MacKenzie ET, Edvinsson L, "Effects of
25 stimulation of the sphenopalatine ganglion on cortical blood flow in the rat," *Journal of Cerebral Blood Flow and Metabolism*, 8, 875-878 (1988)

Van de Waterbeemd H, Camenisch G, Folkers G, Chretien JR, Raevsky OA, "Estimation of blood brain barrier crossing of drugs using molecular size and shape and h bonding descriptors," Journal of Drug Targeting," 6, 151-165, (1998)

5 Suzuki N, Hardebo JE, Kahrstrom J, Owman C, "Selective electrical stimulation of postganglionic cerebrovascular parasympathetic nerve fibers originating from the sphenopalatine ganglion enhances cortical blood flow in the rat," Journal of Cerebral Blood Flow and Metabolism, 10, 383-391 (1990)

Suzuki N, Hardebo JE, Kahrstrom J, Owman CH, "Effect on cortical blood flow of electrical stimulation of trigeminal cerebrovascular nerve fibres in the rat," Acta Physiol. Scand., 138, 307-315 (1990)

10

OBJECTS OF THE INVENTION

It is an object of some aspects of the present invention to provide improved methods and apparatus for delivery of compounds to the brain, particularly through the BBB.

15 It is also an object of some aspects of the present invention to provide such methods and apparatus as can be employed to deliver such compounds through the BBB with a minimally invasive approach.

It is a further object of some aspects of the present invention to provide such methods and apparatus as can facilitate delivery of large molecular weight compounds through the BBB.

20

It is yet a further object of some aspects of the present invention to provide cost-effective methods and apparatus for delivery of compounds through the blood-brain-barrier.

It is still a further object of some aspects of the present invention to provide improved methods and apparatus for remedying or modifying neurological activities and disorders via delivery of compounds through the blood-brain-barrier.

25

It is also a further object of some aspects of the present invention to modulate cerebral blood flow.

It is an additional object of some aspects of the present invention to provide improved methods and apparatus for treating stroke.

It is yet an additional object of some aspects of the present invention to provide improved methods and apparatus for treating migraine.

5 It is still an additional object of some aspects of the present invention to provide improved methods and apparatus for treating neurological diseases (for example, Alzheimer's disease), whose prognosis and evolution of pathological symptoms are influenced by cerebral blood flow.

10 It is also an object of some aspects of the present invention to provide implantable apparatus which affects a property of the brain, without actually being implanted in the brain. In particular, the apparatus may be implanted in the nasal cavity.

These and other objects of the invention will become more apparent from the description of preferred embodiments thereof provided hereinbelow.

SUMMARY OF THE INVENTION

15 In preferred embodiments of the present invention, an electrical stimulator drives current into the sphenopalatine ganglion (SPG) or into neural tracts originating or reaching the SPG. Typically, the stimulator drives the current in order to control and/or modify SPG-related behavior, e.g., in order to induce changes in cerebral blood flow and/or to modulate permeability of the blood-brain barrier (BBB). These embodiments may be used
20 in many medical applications, such as, by way of illustration and not limitation, (a) the treatment of cerebrovascular disorders such as stroke, (b) the treatment of migraine headaches, or (c) the facilitation of drug transport across the BBB.

25 It is to be appreciated that, whereas preferred embodiments of the present invention are described with respect to driving current into the SPG or into neural structures directly related thereto, the scope of the present invention includes driving current into other sites in the brain which upon stimulation modulate cerebral blood flow or modulate permeability properties of the BBB, as appropriate for a given application.

It is also to be appreciated that electrical "stimulation," as provided by preferred embodiments of the present invention, is meant to include substantially any form of

current application to designated tissue, even when the current is configured to block or inhibit the activity of nerves.

It is further to be appreciated that implantation and stimulation sites, methods of implantation, and parameters of stimulation are described herein by way of illustration and not limitation, and that the scope of the present invention includes other possibilities which would be obvious to someone of ordinary skill in the art who has read the present patent application.

It is yet further to be appreciated that while preferred embodiments of the invention are generally described herein with respect to electrical transmission of power and electrical stimulation of tissue, other modes of energy transport may be used as well. Such energy includes, but is not limited to, direct or induced electromagnetic energy, RF transmission, ultrasonic transmission, optical power, and low power laser energy (via, for example, a fiber optic cable).

It is additionally to be appreciated that whereas preferred embodiments of the present invention are described with respect to application of electrical currents to tissue, this is to be understood in the context of the present patent application and in the claims as being substantially equivalent to applying an electrical field, e.g., by creating a voltage drop between two electrodes.

The SPG is a neuronal center located in the brain behind the nose. It consists of parasympathetic neurons innervating the middle cerebral and anterior cerebral lumens, the facial skin blood vessels, and the lacrimal glands. Activation of this ganglion is believed to cause vasodilation of these vessels. A second effect of such stimulation is the opening of pores in the vessel walls, causing plasma protein extravasation (PPE). This effect allows better transport of molecules from within these blood vessels to surrounding tissue.

The middle and anterior cerebral arteries provide the majority of the blood supply to the cerebral hemispheres, including the frontal and parietal lobes in their entirety, the insula and the limbic system, and significant portions of the following structures: the temporal lobes, internal capsule, basal ganglia and thalamus. These structures are involved in many of the neurological and psychiatric diseases of the brain, and preferred embodiments of the present invention are directed towards providing improved blood supply and drug delivery to these structures.

There is also some animal evidence for the presence of SPG-originated parasympathetic innervation in the posterior cerebral and basilar arteries. Consistent with the assumption that this is also the case in humans, many regions of the human brain are within the reach of treatments provided by preferred embodiments of the present invention, as described hereinbelow.

Currently the SPG is a target of manipulation in clinical medicine, mostly in attempted treatments of severe headaches such as cluster headaches. The ganglion is blocked either on a short-term basis, by applying lidocaine, or permanently, by ablation with a radio frequency probe. In both cases the approach is through the nostrils. In some preferred embodiments of the present invention, similar methods for approaching the SPG are utilized, to enable the electrical stimulation or electrical blocking thereof.

According to a preferred embodiment of the instant invention, a method and apparatus are provided to enhance delivery of therapeutic molecules across the BBB by stimulation of the SPG and/or its outgoing parasympathetic tracts and/or another parasympathetic center. The apparatus typically stimulates the parasympathetic nerve fibers of the SPG, thereby inducing the middle and anterior cerebral arteries to dilate, and also causing the walls of these cerebral arteries walls to become more permeable to large molecules. In this manner, the movement of large pharmaceutical molecules from within blood vessels to the cerebral tissue is substantially increased. Preferably, therefore, this method can serve as a neurological drug delivery facilitator, without the sacrifices in molecular weight required by techniques of the prior art. In general, it is believed that substantially all pharmacological treatments aimed at cerebral cells for neurological and psychiatric disorders are amenable for use with these embodiments of the present invention. In particular, these embodiments may be adapted for use in the treatment of disorders such as brain tumors, epilepsy, Parkinson's disease, Alzheimer's disease, multiple sclerosis, schizophrenia, depression, stress, anxiety, and any other CNS disorders that are directly or indirectly affected by changes in cerebral blood flow or by BBB permeability changes.

Advantageously (and even in the absence of BBB permeability changes), patients with these and other disorders are generally helped by the vasodilation secondary to stimulation of the SPG, and the resultant improvement in oxygen supply to neurons and other tissue. For some applications, this treatment is given on a long-term basis, e.g., in the

chronic treatment of Alzheimer's patients. For other applications, the treatment is performed on a short-term basis, e.g., to minimize the damage following an acute stroke event and initiate neuronal and therefore functional rehabilitation.

Blocking of nerve transmission in the SPG or in related neural tracts is used in accordance with some preferred embodiments of the present invention to treat or prevent
5 migraine headaches.

There is therefore provided, in accordance with a preferred embodiment of the present invention, apparatus for modifying a property of a brain of a patient, including:

one or more electrodes, adapted to be applied to a site selected from a group of
10 sites consisting of: a sphenopalatine ganglion (SPG) of the patient and a neural tract originating in or leading to the SPG; and

a control unit, adapted to drive the one or more electrodes to apply a current to the site capable of inducing an increase in permeability of a blood-brain barrier (BBB) of the patient.

15 There is also provided, in accordance with a preferred embodiment of the present invention, apparatus for modifying a property of a brain of a patient, including:

one or more electrodes, adapted to be applied to a site selected from a group of sites consisting of: a sphenopalatine ganglion (SPG) of the patient and a neural tract originating in or leading to the SPG; and

20 a control unit, adapted to drive the one or more electrodes to apply a current to the site capable of inducing an increase in cerebral blood flow of the patient.

There is further provided, in accordance with a preferred embodiment of the present invention, apparatus for modifying a property of a brain of a patient, including:

one or more electrodes, adapted to be applied to a site selected from a group of
25 sites consisting of: a sphenopalatine ganglion (SPG) of the patient and a neural tract originating in or leading to the SPG; and

a control unit, adapted to drive the one or more electrodes to apply a current to the site capable of inducing a decrease in cerebral blood flow of the patient.

30 There is still further provided, in accordance with a preferred embodiment of the present invention, apparatus for modifying a property of a brain of a patient, including:

one or more electrodes, adapted to be applied to a site selected from a group of sites consisting of: a sphenopalatine ganglion (SPG) of the patient and a neural tract originating in or leading to the SPG; and

a control unit, adapted to drive the one or more electrodes to apply a current to the site capable of inhibiting parasympathetic activity of the SPG.

Preferably, the one or more electrodes are adapted for a period of implantation in the patient greater than about one month.

In a preferred embodiment, the apparatus includes a wire, adapted to connect the control unit to the one or more electrodes, wherein the control unit is adapted to drive the one or more electrodes from a position external to the patient.

Alternatively or additionally, the control unit is adapted to drive the one or more electrodes by wireless communication from a position external to the patient. In a preferred embodiment, the apparatus includes an electromagnetic coupling, adapted to couple the control unit and the one or more electrodes. Alternatively or additionally, the control unit is adapted to be in electro-optical communication with the one or more electrodes. Further alternatively or additionally, the control unit is adapted to be in electro-acoustic communication with the one or more electrodes. Still further alternatively or additionally, the control unit is adapted to be implanted in a nasal cavity of the patient.

Preferably, the one or more electrodes are adapted to be implanted in a nasal cavity of the patient. For some applications, at least one of the one or more electrodes includes a flexible electrode, adapted for insertion through a nostril of the patient and to extend therefrom to the site.

The apparatus preferably includes at least one biosensor, adapted to measure a physiological parameter of the patient and to generate a signal responsive thereto. The control unit, in turn, is preferably adapted to modify a parameter of the applied current responsive to the signal. As appropriate, the biosensor may include one or more of the following:

- a blood flow sensor.
- a temperature sensor.
- a chemical sensor.
- an ultrasound sensor.
- transcranial Doppler (TCD) apparatus.

- laser-Doppler apparatus.
- a systemic blood pressure sensor.
- an intracranial blood pressure sensor.
- a detecting element adapted to be fixed to a cerebral blood vessel, and wherein the control unit is adapted to analyze the signal to detect an indication of a change in blood pressure indicative of a clot.
- a kinetics sensor (in this case, the control unit is typically adapted to analyze the signal to detect an indication of a change in body disposition of the patient).
- an electroencephalographic (EEG) sensor.
- a blood vessel clot detector.

In a preferred embodiment, the control unit is adapted to configure the current so as to facilitate uptake of a drug through the BBB when the permeability of the BBB is increased.

Alternatively or additionally, the control unit is adapted to configure the current so as to increase a diameter of a blood vessel and allow an embolus that is located at a site in the blood vessel to move from the site in the blood vessel.

Further alternatively or additionally, the control unit is adapted to drive the one or more electrodes to apply the current responsive to an indication of stroke.

Still further alternatively or additionally, the control unit is adapted to drive the one or more electrodes to apply the current responsive to an indication of migraine of the patient.

There is also provided, in accordance with a preferred embodiment of the present invention, a method for modifying a property of a brain of a patient, including:

- selecting a site from a group of sites consisting of: a sphenopalatine ganglion (SPG) of the patient and a neural tract originating in or leading to the SPG; and
- applying a current to the site capable of inducing an increase in permeability of a blood-brain barrier (BBB) of the patient.

There is additionally provided, in accordance with a preferred embodiment of the present invention, a method for modifying a property of a brain of a patient, including:

- selecting a site from a group of sites consisting of: a sphenopalatine ganglion (SPG) of the patient and a neural tract originating in or leading to the SPG; and

applying a current to the site capable of inducing an increase in cerebral blood flow of the patient.

There is yet additionally provided, in accordance with a preferred embodiment of the present invention, a method for modifying a property of a brain of a patient, including:

5 selecting a site from a group of sites consisting of: a sphenopalatine ganglion (SPG) of the patient and a neural tract originating in or leading to the SPG; and

applying a current to the site capable of inducing a decrease in cerebral blood flow of the patient.

There is still additionally provided, in accordance with a preferred embodiment of the present invention, a method for modifying a property of a brain of a patient, including:

10 selecting a site from a group of sites consisting of: a sphenopalatine ganglion (SPG) of the patient and a neural tract originating in or leading to the SPG; and

applying a current to the site capable of inhibiting parasympathetic activity of the SPG.

15 For some applications, the one or more electrodes are adapted for a period of implantation in the patient less than about one week.

There is further provided, in accordance with a preferred embodiment of the present invention, vascular apparatus, including:

20 a detecting element, adapted to be fixed to a blood vessel of a patient and to generate a signal responsive to energy coming from the blood vessel; and

a control unit, adapted to analyze the signal so as to determine an indication of an embolus in the blood vessel.

25 Preferably, the detecting element includes an energy transmitter and an energy receiver. For example, the energy transmitter may include an ultrasound transmitter or a transmitter of electromagnetic energy.

There is yet further provided, in accordance with a preferred embodiment of the present invention, a method for detecting, including:

fixing a detecting element to a blood vessel of a patient;

generate a signal responsive to energy coming from the blood vessel; and

analyzing the signal so as to determine an indication of an embolus in the blood vessel.

The present invention will be more fully understood from the following detailed description of the preferred embodiments thereof, taken together with the drawings, in
5 which:

BRIEF DESCRIPTION OF THE DRAWINGS

Fig. 1 is a schematic pictorial view of a fully implantable stimulator for stimulation of the SPG, in accordance with a preferred embodiments of the present invention;

Fig. 2 is a schematic pictorial view of another stimulator for stimulation of the
10 SPG, in accordance with a preferred embodiment of the present invention;

Fig. 3 is a schematic block diagram illustrating circuitry for use with the stimulator shown in Fig. 1, in accordance with a preferred embodiment of the present invention;

Fig. 4 is a schematic block diagram illustrating circuitry for use with the stimulator shown in Fig. 2, in accordance with a preferred embodiment of the present invention;

15 Figs. 5A and 5B are schematic illustrations depicting different modes of operation of stimulators such as those shown in Figs. 1 and 2, in accordance with preferred embodiments of the present invention;

Fig. 6 is a schematic illustration of a mode of operation of the stimulators shown in Figs. 1 and 2, synchronized with a drug delivery system, in accordance with a preferred
20 embodiment of the present invention;

Fig. 7 is a schematic block diagram illustrating circuitry for use with the stimulator shown in Fig. 1, where the stimulator is driven by an external controller and energy source using a modulator and a demodulator, in accordance with a preferred embodiment of the present invention;

25 Fig. 8 depicts sample modulator and demodulator functions for use with the circuitry of Fig. 7, in accordance with a preferred embodiment of the present invention;

Figs. 9, 10A, and 10B are schematic diagrams illustrating further circuitry for use with implantable stimulators, in accordance with respective preferred embodiments of the present invention;

5 Figs. 11 and 12 are bar graphs showing experimental data collected in accordance with a preferred embodiment of the present invention; and

Fig. 13 is a schematic illustration of a sensor for application to a blood vessel, in accordance with a preferred embodiment of the present invention.

DETAILED DESCRIPTION OF THE INVENTION

10 Fig. 1 is a schematic pictorial view of a fully-implantable stimulator 4, for stimulation of the sphenopalatine ganglion (SPG) 6 or other parasympathetic site of a patient, in accordance with a preferred embodiment of the present invention. In Fig. 1, a human nasal cavity 2 is shown, and stimulator 4 is implanted adjacent to SPG 6. Branches of parasympathetic neurons coming from SPG 6 extend to the middle cerebral and anterior cerebral arteries (not shown). Preferably, one or more relatively short electrodes 7 extend
15 from stimulator 4 to contact or to be in a vicinity of SPG 6 or of nerves innervating SPG 6 (e.g., postganglionic parasympathetic trunks thereof).

For some applications, stimulator 4 is implanted on top of the bony palate, in the bottom of the nasal cavity. Alternatively or additionally, the stimulator is implanted at the lower side of the bony palate, at the top of the oral cavity. In this instance, one or more
20 flexible electrodes 7 originating in the stimulator are passed through the palatine bone or posterior to the soft palate, so as to be in a position to stimulate the SPG or its parasympathetic tracts. Further alternatively or additionally, the stimulator may be directly attached to the SPG and/or to its postganglionic parasympathetic trunk(s).

For some applications, stimulator 4 is delivered to a desired point within nasal
25 cavity 2 by removably attaching stimulator 4 to the distal end of a rigid or slightly flexible introducer rod (not shown) and inserting the rod into one of the patient's nasal passages until the stimulator is properly positioned. As appropriate, the placement process may be facilitated by fluoroscopy, x-ray guidance, fine endoscopic surgery (FES) techniques or by any other effective guidance method known in the art, or by combinations of the
30 aforementioned. Preferably, the ambient temperature and/or cerebral blood flow is

measured concurrently with insertion. The cerebral blood flow may be measured with, for example, a laser Doppler unit positioned at the patient's forehead or transcranial Doppler measurements. Verification of proper implantation of the electrodes onto the appropriate neural structure may be performed by activating the device, and generally simultaneously
5 monitoring cerebral blood flow.

The passage of certain molecules from cerebral blood vessels into the brain is hindered by the BBB. The endothelium of the capillaries, the plasma membrane of the blood vessels, and the foot processes of the astrocytes all impede uptake by the brain of the molecules. The BBB generally allows only small molecules (e.g., hydrophilic
10 molecules of molecular weight less than about 200 Da, and lipophilic molecules of less than about 500 Da) to pass from the circulation into the brain.

In accordance with a preferred embodiment of the present invention, parasympathetic activation induced by current from stimulator 4 overcomes the resistance to trans-BBB molecular movement generated by the endothelium of the cerebral
15 capillaries and the plasma membrane. For some applications, therefore, stimulator 4 may be used to transiently remove a substantial obstacle to the passage of drugs from the blood to the brain. For example, the stimulator may cyclically apply current for about two minutes, and subsequently have a rest period of between about 1 and 20 minutes.

It is hypothesized that two neurotransmitters play an important role in this change
20 in properties of the BBB -- vasoactive intestinal polypeptide (VIP) and nitric oxide (NO). (Acetylcholine may also be involved.) VIP is a short peptide, and NO is a gaseous molecule. VIP is believed to be a major factor in facilitating plasma protein extravasation (PPE), while NO is responsible for vasodilation. For some applications, stimulator 4 is adapted to vary parameters of the current applied to the SPG, as appropriate, in order to
25 selectively influence the activity of one or both of these neurotransmitters. For example, stimulation of the parasympathetic nerve at different frequencies can induce differential secretion -- low frequencies cause secretion of NO, while high frequencies (e.g., above about 10 Hz) cause secretion of peptides (VIP).

For other applications, a constant level DC signal, or a slowly varying voltage
30 ramp is applied, in order to block parasympathetic neural activity in affected tissue. Alternatively, similar results can be obtained by stimulating at a rate higher than about 10

Hz, because this tends to exhaust neurotransmitters. Thus, stimulator 4 may be configured to induce parasympathetic electrical block, in order to cause vasoconstriction by mimicking the overall effect of chemical block on the SPG. This vasoconstrictive effect may be used, for example, to controllably prevent or reverse the formation of migraine
5 headaches. This technique of electrical treatment of migraines stands in contrast to methods of the prior art, in which pharmacological agents such as lidocaine are used to induce SPG block.

Fig. 2 is a schematic illustration of a stimulator control unit 8 positioned external to a patient's body, in accordance with a preferred embodiment of the present invention.
10 At least one flexible electrode 10 preferably extends from control unit 8, through a nostril 12 of the patient, and to a position within the nasal cavity 14 that is adjacent to SPG 6.

It is to be understood that electrodes 7 (Fig. 1) and 10 may each comprise one or more electrodes, e.g., two electrodes, or an array of microelectrodes. For applications in which stimulator 4 comprises a metal housing that can function as an electrode, then
15 typically one electrode 7 is used, operating in a monopolar mode. Regardless of the total number of electrodes in use, typically only a single or a double electrode extends to SPG 6. Other electrodes 7 or 10 or a metal housing of stimulator 4 are preferably temporarily or permanently implanted in contact with other parts of nasal cavity 2.

Each of electrodes 7 and/or 10 preferably comprises a suitable conductive material,
20 for example, a physiologically-acceptable material such as silver, iridium, platinum, a platinum iridium alloy, titanium, nitinol, or a nickel-chrome alloy. For some applications, one or more of the electrodes have lengths ranging from about 1 to 5 mm, and diameters ranging from about 50 to 100 microns. Each electrode is preferably insulated with a physiologically-acceptable material such as polyethylene, polyurethane, or a co-polymer
25 of either of these. The electrodes are preferably spiral in shape, for better contact, and may have a hook shaped distal end for hooking into or near the SPG. Alternatively or additionally, the electrodes may comprise simple wire electrodes, spring-loaded "crocodile" electrodes, or adhesive probes, as appropriate.

In a preferred embodiment of the invention, each one of electrodes 7 and/or 10
30 comprises a substantially smooth surface, except that the distal end of each such electrode is configured or treated to have a large surface area. For example, the distal tip may be

porous platinized. Alternatively or additionally, at least the tip of electrode 7 or 10, and/or a metal housing of stimulator 4 includes a coating comprising an anti-inflammatory drug, such as beclomethasone sodium phosphate or beclomethasone phosphate. Alternatively, such an anti-inflammatory drug is injected or otherwise applied.

5 Fig. 3 is a schematic block diagram illustrating circuitry comprising an implanted unit 20 and an external unit 30, for use with stimulator 4 (Fig. 1), in accordance with a preferred embodiment of the present invention. Implanted unit 20 preferably comprises a feedback block 22 and one or more sensing or signal application electrodes 24. Implanted unit 20 typically also comprises an electromagnetic coupler 26, which receives power and/or sends or receives data signals to or from an electromagnetic coupler 28 in external unit 30.

10 External unit 30 preferably comprises a microprocessor 32 which receives an external control signal 34 (e.g., from a physician or from the patient), and a feedback signal 36 from feedback block 22. Control signal 34 may include, for example, operational parameters such as a schedule of operation, patient parameters such as the patient's weight, or signal parameters, such as desired frequencies or amplitudes of a signal to be applied to the SPG. If appropriate, control signal 34 can comprise an emergency override signal, entered by the patient or a healthcare provider to terminate stimulation or to modify it in accordance with a predetermined program. Microprocessor 20 32, in turn, preferably processes control signal 34 and feedback signal 36 so as to determine one or more parameters of the electric current to be applied through electrodes 24. Responsive to this determination, microprocessor 32 typically generates an electromagnetic control signal 42 that is conveyed by electromagnetic coupler 28 to electromagnetic coupler 26. Control signal 42 preferably corresponds to a desired current or voltage to be applied by electrodes 24 to SPG 6, and, in a preferred embodiment, inductively drives the electrodes. The configuration of couplers 26 and 28 and/or other circuitry in units 20 or 30 may determine the intensity, frequency, shape, monophasic or biphasic mode, or DC offset of the signal (e.g., a series of pulses) applied to designated tissue.

30 Power for microprocessor 32 is typically supplied by a battery 44 or, optionally, another DC power supply. Grounding is provided by battery 44 or a separate ground 46. If appropriate, microprocessor 32 generates a display signal 38 that drives a display block

40 of external unit 30. Typically, but not necessarily, the display is activated to show feedback data generated by feedback block 22, or to provide a user interface for the external unit.

Implanted unit 20 is preferably packaged in a case made of titanium, platinum or an epoxy or other suitable biocompatible material. Should the case be made of metal, then the case may serve as a ground electrode and, therefore, stimulation typically is performed in a monopolar mode. Alternatively, should the case be made of biocompatible plastic material, two electrodes 24 are typically driven to apply current to the SPG.

For some applications, the waveform applied by one or more of electrodes 24 to designated tissue (e.g., the SPG) comprises a waveform with an exponential decay, a ramp up or down, a square wave, a sinusoid, a saw tooth, a DC component, or any other shape known in the art to be suitable for application to tissue. Alternatively or additionally, the waveform comprises one or more bursts of short shaped or square pulses -- each pulse preferably less than about 1 ms in duration. Generally, appropriate waveforms and parameters thereof are determined during an initial test period of external unit 30 and implanted unit 20. For some applications, the waveform is dynamically updated according to measured physiological parameters, measured during a period in which unit 20 is stimulating the SPG, and/or during a non-activation (i.e., standby) period.

In the case of migraine treatment, the waveform may take the form of a slowly varying shape, such as a slow saw tooth, or a constant DC level, intended to block outgoing parasympathetic messaging.

Fig. 4 is a schematic block diagram of circuitry for use, for example, in conjunction with control unit 8 (Fig. 2), in accordance with a preferred embodiment of the present invention. An external unit 50 comprises a microprocessor 52 supplied by a battery 54 or another DC power source. Grounding may be provided by battery 54 or by a separate ground 56. Microprocessor 52 preferably receives control and feedback signals 58 and 68 (analogous to signal 34 and 36 described hereinabove), and generates responsive thereto a stimulation signal 64 conveyed by one or more electrodes 66 to the SPG or other tissue. Typically, but not necessarily, feedback signal 68 comprises electrical feedback measured by one or more of electrodes 66 and/or feedback from other sensors on or in the patient's brain or elsewhere coupled to the patient's body. If

appropriate, microprocessor 52 generates a display signal 60 which drives a display block 62 to output relevant data to the patient or the patient's physician. Typically, some or all of electrodes 66 are temporarily implanted in the patient (e.g., following a stroke), and are directly driven by wires connecting the external unit to the implanted unit.

5 Fig. 5A is a graph schematically illustrating a mode of operation of one or more of the devices shown in Figs. 1-4, in accordance with a preferred embodiment of the present invention. Preferably, the effect of the applied stimulation is monitored by means of a temperature transducer at the SPG or elsewhere in the head, e.g., in the nasal cavity. As shown in Fig. 5A for a step (ON/OFF) mode of stimulation, stimulation of the SPG or
10 related tissue is initiated at a time T1, and this is reflected by a measurable rise in temperature (due to increased blood flow). Once the temperature rises to a predetermined or dynamically-varying threshold (e.g., 37 °C), stimulation is terminated (time T2), responsive to which the temperature falls. As appropriate, when the temperature drops to a designated or dynamically-determined point, the stimulation is reinitiated (time T3).
15 Preferably, suitable temperatures or other physiological parameters are determined for each patient so as to provide the optimal treatment. If appropriate, control instructions may also be received from the patient, e.g., to initiate stimulation upon the onset of a migraine headache.

Fig. 5B is a graph schematically illustrating a mode of operation of one or more of
20 the devices shown in Figs. 1-4, in accordance with another preferred embodiment of the present invention. In this embodiment, the amplitude of the waveform applied to the SPG is varied among a continuous set of values (S1), or a discrete set of values (S2), responsive to the measured temperature, in order to achieve the desired performance. It will be appreciated that other feedback parameters measured in the head (e.g., intracranial
25 pressure and/or cerebral blood flow), as well as measured systemic parameters (e.g., heart rate) and subjective patient inputs (e.g., migraine pain = 3/5) may be used in conjunction with or separately from temperature measurements, in order to achieve generally optimal performance of the implanted apparatus.

Fig. 6 is a graph schematically illustrating a mode of operation of one or more of
30 the devices shown in Figs. 1-4, in accordance with a preferred embodiment of the present invention. In this embodiment, a drug is administered to the patient at a constant rate, e.g., intravenously, prior to the initiation of stimulation of the SPG at time T1.

Advantageously, this prior generation of heightened concentrations of the drug in the blood tends to provide relatively rapid transfer of the drug across the BBB and into the brain, without unnecessarily prolonging the enhanced permeability of the BBB while waiting for the blood concentration of the drug to reach an appropriate level.

5 Alternatively, for some applications it is desirable to give a single injection of a bolus of the drug shortly before or after initiation of stimulation of the SPG. Typically, combined administration and stimulation schedules are determined by the patient's physician based on the biochemical properties of each drug targeted at the brain.

Fig. 7 is a schematic block diagram showing circuitry for parasympathetic stimulation, which is particularly useful in combination with the embodiment shown in Fig. 1, in accordance with a preferred embodiment of the present invention. An external unit 80 preferably comprises a microprocessor 82 that is powered by a battery 84 and/or an AC power source. Microprocessor 82 is grounded through battery 84 or through an optional ground 86.

15 In a typical mode of operation, an external control signal 88 is input to microprocessor 82, along with a feedback signal 108 from one or more biosensors 106, which are typically disposed in a vicinity of an implanted unit 100 or elsewhere on or in the patient's body. Responsive to signals 88 and 108, microprocessor 82 preferably generates a display signal 89 which drives a display 90, as described hereinabove. In addition, microprocessor 82 preferably processes external control signal 88 and feedback signal 108, to determine parameters of an output signal 92, which is modulated by a modulator 94. The output therefrom preferably drives a current through an electromagnetic coupler 96, which inductively drives an electromagnetic coupler 98 of implanted unit 100. A demodulator 102, coupled to electromagnetic coupler 98, in turn, 20 generates a signal 103 which drives at least one electrode 104 to apply current to the SPG or to other tissue, as appropriate.

Preferably, biosensor 106 comprises implantable or external medical apparatus including, for example, one or more of the following:

- a blood flow sensor,
- 30 • a temperature sensor,
- a chemical sensor,

- an ultrasound sensor,
- transcranial Doppler (TCD) apparatus,
- laser-Doppler apparatus,
- a systemic or intracranial blood pressure sensor (e.g., comprising a piezoelectric crystal fixed to a major cerebral blood vessel, capable of detecting a sudden blood pressure increase indicative of a clot),
- a kinetics sensor, comprising, for example, an acceleration, velocity, or level sensor (e.g., a mercury switch), for indicating body dispositions such as a sudden change in body attitude (as in collapsing),
- an electroencephalographic (EEG) sensor comprising EEG electrodes attached to, or implanted in, the patients head, for indicating changes in neurological patterns, such as symptoms of stroke or migraine,
- a blood vessel clot detector (e.g., as described hereinbelow with reference to Fig. 13), or
- other monitors of physiological quantities suitable for carrying out the objects of this or other embodiments of the present invention.

Fig. 8 is a schematic illustration showing operational modes of modulator 94 and/or demodulator 102, in accordance with a preferred embodiment of the present invention. The amplitude and frequency of signal 92 in Fig. 7 can have certain values, as represented in the left graph; however, the amplitude and frequency are modulated so that signal 103 has different characteristics.

Fig. 9 is a schematic illustration of further apparatus for stimulation of the SPG, in accordance with a preferred embodiment of the present invention. In this embodiment, substantially all of the processing and signal generation is performed by circuitry in an implanted unit 110 in the patient, and, preferably, communication with a controller 122 in an external unit 111 is performed only intermittently. The implanted unit 110 preferably comprises a microprocessor 112 coupled to a battery 114. Microprocessor 112 generates a signal 116 that travels along at least one electrode 118 to stimulate the SPG. A feedback signal 120 from a biosensor (not shown) and/or from electrode 118 is received by microprocessor 112, which is adapted to modify stimulation parameters responsive

thereto. Preferably, microprocessor 112 and controller 122 are operative to communicate via electromagnetic couplers 126 and 124, in order to exchange data or to change parameters. Further preferably, battery 114 is inductively rechargeable by electromagnetic coupling.

5 Fig. 10A is a schematic illustration of a stimulator 150, in accordance with a preferred embodiment of the present invention. Preferably, substantially all of the electronic components (including an electronic circuit 158 having a rechargeable energy source) are encapsulated in a biocompatible metal case 154. An inductive coil 156 and at least one electrode 162 are preferably coupled to circuit 158 by means of a feed-through
10 coupling 160. The inductive coil is preferably isolated by an epoxy coating 152, which allows for higher efficiency of the electromagnetic coupling.

Fig. 10B is a schematic illustration of another configuration of an implantable stimulator, in accordance with a preferred embodiment of the present invention. Preferably, substantially all of the electronic components (including an inductive coil 176
15 and an electronic circuit 178 having a rechargeable energy source) are encapsulated in a biocompatible metal case 174. One or more feed-throughs are preferably provided to enable coupling between at least one electrode 182 and the electronic circuit, as well as between inductive coil 176 and another inductive coil (not shown) in communication therewith.

20 With reference to Figs. 10A and 10B, the energy source for electronic circuits 158 and 178 may comprise, for example, a primary battery, a rechargeable battery, or a super capacitor. For applications in which a rechargeable battery or a super capacitor is used, any kind of energizing means may be used to charge the energy source, such as (but not limited to) standard means for inductive charging or a miniature electromechanical energy
25 converter that converts the kinetics of the patient movement into electrical charge. Alternatively, an external light source (e.g., a simple LED, a laser diode, or any other light source) may be directed at a photovoltaic cell in the electronic circuit. Further alternatively, ultrasound energy is directed onto the implanted unit, and transduced to drive battery charging means.

30 Figs. 11 and 12 are bar graphs showing experimental results obtained during rat experiments performed in accordance with a preferred embodiment of the present

invention. A common technique in monitoring bio-distribution of materials in a system includes monitoring the presence and level of radio-labeled tracers. These tracers are unstable isotopes of common elements (e.g., Tc, In, Cr, Ga, and Gd), conjugated to target materials. The chemical properties of the tracer are used as a predictor for the behavior of other materials with similar physiochemical properties, and are selected based on the particular biological mechanisms that are being evaluated. Typically, a patient or experimental animal is placed on a Gamma camera, or target tissue samples can be harvested and placed separately into a well counter. For the purpose of the present set of experiments which were performed, the well counter method was chosen due to its higher sensitivity and spatial resolution. A series of experiments using ⁹⁹Tc-DTPA (DTPA molecule conjugated to a 99-Technetium isotope) were performed. The molecular weight of ⁹⁹Tc-DTPA is 458 Da, its lipophilicity is negative, and its electric charge is +1. These parameters are quite similar with pharmacological agents used in standard chemotherapy, such as tamoxifen, etoposide and irinotecan.

Figs. 11 and 12 show results obtained using ⁹⁹Tc-DTPA penetration assays using ordinary brain sampling techniques (Fig. 11) and peeled brain techniques (Fig. 12). The x-axis of each graph represents different experimental runs, and the y-axis of each graph is defined as: $[(\text{hemisphere radioactivity}) / (\text{hemisphere weight})] / [(\text{total injected radioactivity}) / (\text{total animal weight})]$. The results obtained demonstrate an average 2.5-fold increase in the penetration of ⁹⁹Tc-DTPA to the rat brain. It is noted that these results were obtained by unilateral stimulation of the SPG. The inventors believe that bilateral SPG stimulation will approximately double drug penetration, relative to unilateral SPG stimulation.

In both Fig. 11 and Fig. 12, some animals were designated as control animals, and other animals were designated as test animals. In each group, the left and right hemispheres were tested separately, and the height of each bar represents, for a given animal and a given hemisphere, the normalized level of radioactivity as defined above. Thus, Fig. 11 shows results from a total of four test hemispheres and four control hemispheres. Fig. 12 shows results from six test hemispheres and fourteen control hemispheres. The juxtaposition of control and test bars in the bar graphs is not meant to imply pairing of control and test hemispheres.

Fig. 13 is a schematic illustration of acoustic or optical clot detection apparatus 202, for use, for example, in providing feedback to any of the microprocessors or other circuitry described hereinabove, in accordance with a preferred embodiment of the present invention. The detection is preferably performed by coupling to a major blood vessel 200 (e.g., the internal carotid artery or aorta) a detecting element comprising an acoustic or optical transmitter/receiver 206, and an optional reflecting surface 204. Natural physiological liquids may serve as a mediating fluid between the device and the vessel. Preferably, the transmitter/receiver generates an ultrasound signal or electromagnetic signal which is reflected and returned, and a processor evaluates changes in the returned signal to detect indications of a newly-present clot. Alternatively, a transmitter is placed on side of the vessel and a receiver is placed on the other side of the vessel. In either case, for some applications, more than one such apparatus 202 are placed on the vessel, in order to improve the probability of successful clot detection for possible estimation of the clot's direction of motion within the vessel, and to lower the false alarm (i.e. false detection) rate.

Embodiments of the present invention have many medical applications. For example, chemotherapeutic drugs need to pass into cerebral tissue in order to treat brain tumors. Most of the chemotherapeutic drugs have molecular weights of 200-1200 Da, and thus their transport through the blood-brain barrier (BBB) is highly restricted. To overcome the impedance of the BBB, an intracarotid infusion of high osmotic load has been used in the prior art in order to open the tight junctions of the BBB for a very short period (e.g., 25 minutes), during which the medications are given. This procedure is not simple -- it is invasive, requires general anesthesia, requires subsequent intensive care, and is in any case relatively expensive. For these reasons, such intracarotid infusions are used only in very few healthcare facilities, even though some reports claim a substantial improvement in life expectancy in patients receiving chemotherapy in this manner.

Preferably, embodiments of the present invention which facilitate increased trans-BBB drug delivery, and therefore more efficient chemotherapy, also enable a reduction or elimination of the need for radiotherapy. It is noted that such irradiation of the brain is indicated in the literature to be a significant cause of long-term cognitive and other deficits.

The better delivery of drugs, as provided in accordance with a preferred embodiment of the present invention, is also a factor in the treatment of other disorders, such as Parkinson's disease, Alzheimer's disease, and other neurological diseases. For some applications, the trans-BBB delivery of various growth factors is facilitated using the techniques described herein. Growth factors are typically large molecules that stimulate the growth of neurons, and may be used to treat degenerative disorders, such as Parkinson's disease, Alzheimer's disease, and Motor Neuron Diseases (e.g., Lou Gehrig's disease).

Another preferred application of the present invention includes facilitating drug delivery across the BBB in order to treat inflammation in the brain, e.g., for cases of infectious diseases of the brain in immunocompromised patients. Similarly, medications to treat AIDS may be more effectively administered to sites in the brain through the BBB, when appropriate, through the use of methods and apparatus described herein. A further application of some embodiments of the present invention includes the delivery through the BBB of viruses that are agents of gene therapy (e.g., for treating Parkinson's disease). Similarly, methods and apparatus described herein may be used for metabolic disorders of the brain, such as GM2 gangliosidosis.

Another aspect of some preferred embodiments of the invention relates to the modulation of cerebral blood flow. Roughly 750,000 Americans suffer strokes each year. Stroke is the United States' third leading cause of death, killing about 160,000 Americans every year. More than 3 million people in the United States have survived strokes, of whom more than 2 million suffer crippling paralysis, speech loss and lapses of memory. About 85% of strokes are ischemic, i.e., a blood vessel is occluded and its territory is deprived of oxygen supply. A cerebral region that is totally deprived of blood supply is surrounded by a second region of partial lack of supply, whose vitality is at risk. This second region is one of the main targets of some embodiments of the invention -- stimulation of the SPG will dilate its vessels and significantly improve that region's likelihood of survival. If the intervention is given early enough in the event (e.g., a few hours post-stroke), it might help also the core region of the stroke, as the thrombus is not yet organized, and dilation of the vessels may reintroduce blood supply to the tissue. Alternatively, SPG stimulation may allow the clot to move from a big vessel to a small vessel, and thus deprive blood supply only from a much smaller volume of the brain

(which would, in any case, have probably been deprived of blood supply had the clot remained in place).

Population-based studies have shown that about 5% of men and 16% of women suffer migraine attacks. Over 80% of these people suffer some degree of headache-related disability. Parasympathetic block (in contrast to stimulation) is known to cause vasoconstriction. An embodiment of the present invention uses electrical means to induce the vasoconstrictive effect and treat migraine. For example, it may use techniques to block nerve messaging, such as applying a slowly-varying voltage, or in some cases, a constant level DC voltage.

Alzheimer's disease is becoming a major source of disability and financial load with the increase in life expectancy. In recent years, vascular factors have been considered prominent in the pathophysiology of the disease. Current therapy is generally concentrated along one line -- cholinomimetic medications, which can, at most, slow down the deterioration of cognitive function in patients. SPG stimulation, as provided in accordance with a preferred embodiment of the present invention, is believed to increase blood flow and oxygen supply to the brain, and therefore help these patients. For this use, permanent stimulators may be implanted in the nasal cavity, for long-term intermittent stimulation.

It will be appreciated by persons skilled in the art that the present invention is not limited to what has been particularly shown and described hereinabove. Rather, the scope of the present invention includes both combinations and subcombinations of the various features described hereinabove, as well as variations and modifications thereof that are not in the prior art, which would occur to persons skilled in the art upon reading the foregoing description. For example, elements which are shown in a figure to be housed within one integral unit may, for some applications, be disposed in a plurality of distinct units. Similarly, apparatus for communication and power transmission which are shown to be coupled in a wireless fashion may be, alternatively, coupled in a wired fashion, and apparatus for communication and power transmission which are shown to be coupled in a wired fashion may be, alternatively, coupled in a wireless fashion.

CLAIMS

1. Apparatus for modifying a property of a brain of a patient, comprising:
one or more electrodes, adapted to be applied to a site selected from a group of sites consisting of: a sphenopalatine ganglion (SPG) of the patient and a neural tract
5 originating in or leading to the SPG; and
a control unit, adapted to drive the one or more electrodes to apply a current to the site capable of inducing an increase in permeability of a blood-brain barrier (BBB) of the patient.
2. Apparatus for modifying a property of a brain of a patient, comprising:
10 one or more electrodes, adapted to be applied to a site selected from a group of sites consisting of: a sphenopalatine ganglion (SPG) of the patient and a neural tract originating in or leading to the SPG; and
a control unit, adapted to drive the one or more electrodes to apply a current to the site capable of inducing an increase in cerebral blood flow of the patient.
- 15 3. Apparatus for modifying a property of a brain of a patient, comprising:
one or more electrodes, adapted to be applied to a site selected from a group of sites consisting of: a sphenopalatine ganglion (SPG) of the patient and a neural tract originating in or leading to the SPG; and
a control unit, adapted to drive the one or more electrodes to apply a current to the
20 site capable of inducing a decrease in cerebral blood flow of the patient.
4. Apparatus for modifying a property of a brain of a patient, comprising:
one or more electrodes, adapted to be applied to a site selected from a group of sites consisting of: a sphenopalatine ganglion (SPG) of the patient and a neural tract originating in or leading to the SPG; and
25 a control unit, adapted to drive the one or more electrodes to apply a current to the site capable of inhibiting parasympathetic activity of the SPG.
5. Apparatus according to any one of claims 1-4, wherein the one or more electrodes are adapted for a period of implantation in the patient greater than about one month.

6. Apparatus according to any one of claims 1-4, and comprising a wire, adapted to connect the control unit to the one or more electrodes, wherein the control unit is adapted to drive the one or more electrodes from a position external to the patient.
7. Apparatus according to any one of claims 1-4, wherein the control unit is adapted to drive the one or more electrodes by wireless communication from a position external to the patient.
8. Apparatus according to claim 7, and comprising an electromagnetic coupling, adapted to couple the control unit and the one or more electrodes.
9. Apparatus according to claim 7, wherein the control unit is adapted to be in electro-optical communication with the one or more electrodes.
10. Apparatus according to claim 7, wherein the control unit is adapted to be in electro-acoustic communication with the one or more electrodes.
11. Apparatus according to any one of claims 1-4, wherein the control unit is adapted to be implanted in a nasal cavity of the patient.
12. Apparatus according to any one of claims 1-4, wherein the one or more electrodes are adapted to be implanted in a nasal cavity of the patient.
13. Apparatus according to any one of claims 1-4, wherein at least one of the one or more electrodes comprises a flexible electrode, adapted for insertion through a nostril of the patient and to extend therefrom to the site.
14. Apparatus according to any one of claims 1-4, and comprising at least one biosensor, adapted to measure a physiological parameter of the patient and to generate a signal responsive thereto, wherein the control unit is adapted to modify a parameter of the applied current responsive to the signal.
15. Apparatus according to claim 14, wherein the biosensor comprises a blood flow sensor.
16. Apparatus according to claim 14, wherein the biosensor comprises a temperature sensor.
17. Apparatus according to claim 14, wherein the biosensor comprises a chemical sensor.

18. Apparatus according to claim 14, wherein the biosensor comprises an ultrasound sensor.
19. Apparatus according to claim 14, wherein the biosensor comprises transcranial Doppler (TCD) apparatus.
- 5 20. Apparatus according to claim 14, wherein the biosensor comprises laser-Doppler apparatus.
21. Apparatus according to claim 14, wherein the biosensor comprises a systemic blood pressure sensor.
22. Apparatus according to claim 14, wherein the biosensor comprises an intracranial
10 blood pressure sensor.
23. Apparatus according to claim 22, wherein the intracranial blood pressure sensor comprises a detecting element adapted to be fixed to a cerebral blood vessel, and wherein the control unit is adapted to analyze the signal to detect an indication of a change in blood pressure indicative of a clot.
- 15 24. Apparatus according to claim 14, wherein the biosensor comprises a kinetics sensor.
25. Apparatus according to claim 24, wherein the control unit is adapted to analyze the signal to detect an indication of a change in body disposition of the patient.
26. Apparatus according to claim 14, wherein the biosensor comprises an
20 electroencephalographic (EEG) sensor.
27. Apparatus according to claim 14, wherein the biosensor comprises a blood vessel clot detector.
28. Apparatus according to claim 1, wherein the control unit is adapted to configure the current so as to facilitate uptake of a drug through the BBB when the permeability of
25 the BBB is increased.
29. Apparatus according to claim 2, wherein the control unit is adapted to configure the current so as to increase a diameter of a blood vessel and allow an embolus that is located at a site in the blood vessel to move from the site in the blood vessel.
30. Apparatus according to claim 2, wherein the control unit is adapted to drive the
30 one or more electrodes to apply the current responsive to an indication of stroke.

31. Apparatus according to claim 4, wherein the control unit is adapted to drive the one or more electrodes to apply the current responsive to an indication of migraine of the patient.
32. A method for modifying a property of a brain of a patient, comprising:
5 selecting a site from a group of sites consisting of: a sphenopalatine ganglion (SPG) of the patient and a neural tract originating in or leading to the SPG; and
applying a current to the site capable of inducing an increase in permeability of a blood-brain barrier (BBB) of the patient.
33. A method for modifying a property of a brain of a patient, comprising:
10 selecting a site from a group of sites consisting of: a sphenopalatine ganglion (SPG) of the patient and a neural tract originating in or leading to the SPG; and
applying a current to the site capable of inducing an increase in cerebral blood flow of the patient.
34. A method for modifying a property of a brain of a patient, comprising:
15 selecting a site from a group of sites consisting of: a sphenopalatine ganglion (SPG) of the patient and a neural tract originating in or leading to the SPG; and
applying a current to the site capable of inducing a decrease in cerebral blood flow of the patient.
35. A method for modifying a property of a brain of a patient, comprising:
20 selecting a site from a group of sites consisting of: a sphenopalatine ganglion (SPG) of the patient and a neural tract originating in or leading to the SPG; and
applying a current to the site capable of inhibiting parasympathetic activity of the SPG.
36. A method according to any one of claims 32-35, wherein selecting the site
25 comprises implanting an electrode at the site, designated to remain in the patient for a period greater than about one month.
37. A method according to any one of claims 32-35, wherein selecting the site
30 comprises placing an electrode at the site, and wherein applying the current comprises communicating with the electrode by wired communication from a position external to the patient.

38. A method according to any one of claims 32-35, wherein selecting the site comprises placing an electrode at the site, and wherein applying the current comprises communicating with the electrode by wireless communication from a position external to the patient.
- 5 39. A method according to claim 38, wherein communicating comprises communicating via electromagnetic coupling.
40. A method according to claim 38, wherein communicating comprises communicating via electro-optical coupling.
41. A method according to claim 38, wherein communicating comprises
10 communicating via electro-acoustic coupling.
42. A method according to any one of claims 32-35, wherein applying the current comprises implanting a control unit in a nasal cavity of the patient.
43. A method according to any one of claims 32-35, wherein applying the current comprises implanting one or more electrodes in a nasal cavity of the patient.
- 15 44. A method according to claim 43, wherein implanting comprises inserting a flexible electrode through a nostril of the patient.
45. A method according to any one of claims 32-35, and comprising sensing a physiological parameter of the patient and generating a signal responsive thereto, wherein applying the current comprises modifying a parameter of the applied current responsive to
20 the signal.
46. A method according to claim 45, wherein sensing comprises sensing blood flow of the patient.
47. A method according to claim 45, wherein sensing comprises sensing a temperature of the patient.
- 25 48. A method according to claim 45, wherein sensing comprises sensing presence of a chemical.
49. A method according to claim 45, wherein sensing comprises detecting ultrasonic energy.
50. A method according to claim 45, wherein sensing comprises performing a
30 transcranial Doppler (TCD) technique.

51. A method according to claim 45, wherein sensing comprises performing a laser-Doppler technique.
52. A method according to claim 45, wherein sensing comprises sensing systemic blood pressure of the patient.
- 5 53. A method according to claim 45, wherein sensing comprises sensing intracranial blood pressure of the patient.
54. A method according to claim 53, wherein sensing intracranial blood pressure fixing to a cerebral blood vessel a detecting element capable of generating the signal, and analyzing the signal to detect an indication of a change in blood pressure indicative of a
10 clot.
55. A method according to claim 45, wherein sensing comprises sensing a kinetic disposition of the patient.
56. A method according to claim 55, wherein sensing the kinetic disposition comprises detecting an indication of a change in body disposition of the patient.
- 15 57. A method according to claim 45, wherein sensing comprises sensing electroencephalographic (EEG) data.
58. A method according to claim 45, wherein sensing comprises detecting presence of an embolus in a blood vessel of the patient.
59. A method according to claim 32, wherein applying the current comprises
20 configuring the current so as to facilitate uptake of a drug through the BBB when the permeability of the BBB is increased.
60. A method according to claim 33, wherein applying the current comprises configuring the current so as to increase a diameter of a blood vessel and allow an embolus that is located at a site in the blood vessel to move from the site in the blood
25 vessel.
61. A method according to claim 33, wherein applying the current comprises applying the current responsive to an indication of stroke.
62. A method according to claim 35, wherein applying the current comprises applying the current responsive to an indication of migraine of the patient.

63. A method according to any one of claims 32-35, wherein selecting the site comprises implanting an electrode at the site, designated to remain in the patient for a period less than about one week.
64. Apparatus according to any one of claims 1-4, wherein the one or more electrodes
5 are adapted for a period of implantation in the patient less than about one week.
65. Vascular apparatus, comprising:
a detecting element, adapted to be fixed to a blood vessel of a patient and to generate a signal responsive to energy coming from the blood vessel; and
a control unit, adapted to analyze the signal so as to determine an indication of an
10 embolus in the blood vessel.
66. Apparatus according to claim 65, wherein the detecting element comprises an energy transmitter and an energy receiver.
67. Apparatus according to claim 66, wherein the energy transmitter comprises an ultrasound transmitter.
- 15 68. Apparatus according to claim 66, wherein the energy transmitter comprises a transmitter of electromagnetic energy.
69. A method for detecting, comprising:
fixing a detecting element to a blood vessel of a patient;
generate a signal responsive to energy coming from the blood vessel; and
20 analyzing the signal so as to determine an indication of an embolus in the blood vessel.
70. A method according to claim 69, wherein generating the signal comprises transmitting energy at the blood vessel.
71. A method according to claim 70, wherein generating the signal comprises
25 transmitting ultrasound energy at the blood vessel.
72. A method according to claim 70, wherein generating the signal comprises transmitting electromagnetic energy at the blood vessel.

1/8

FIG. 1

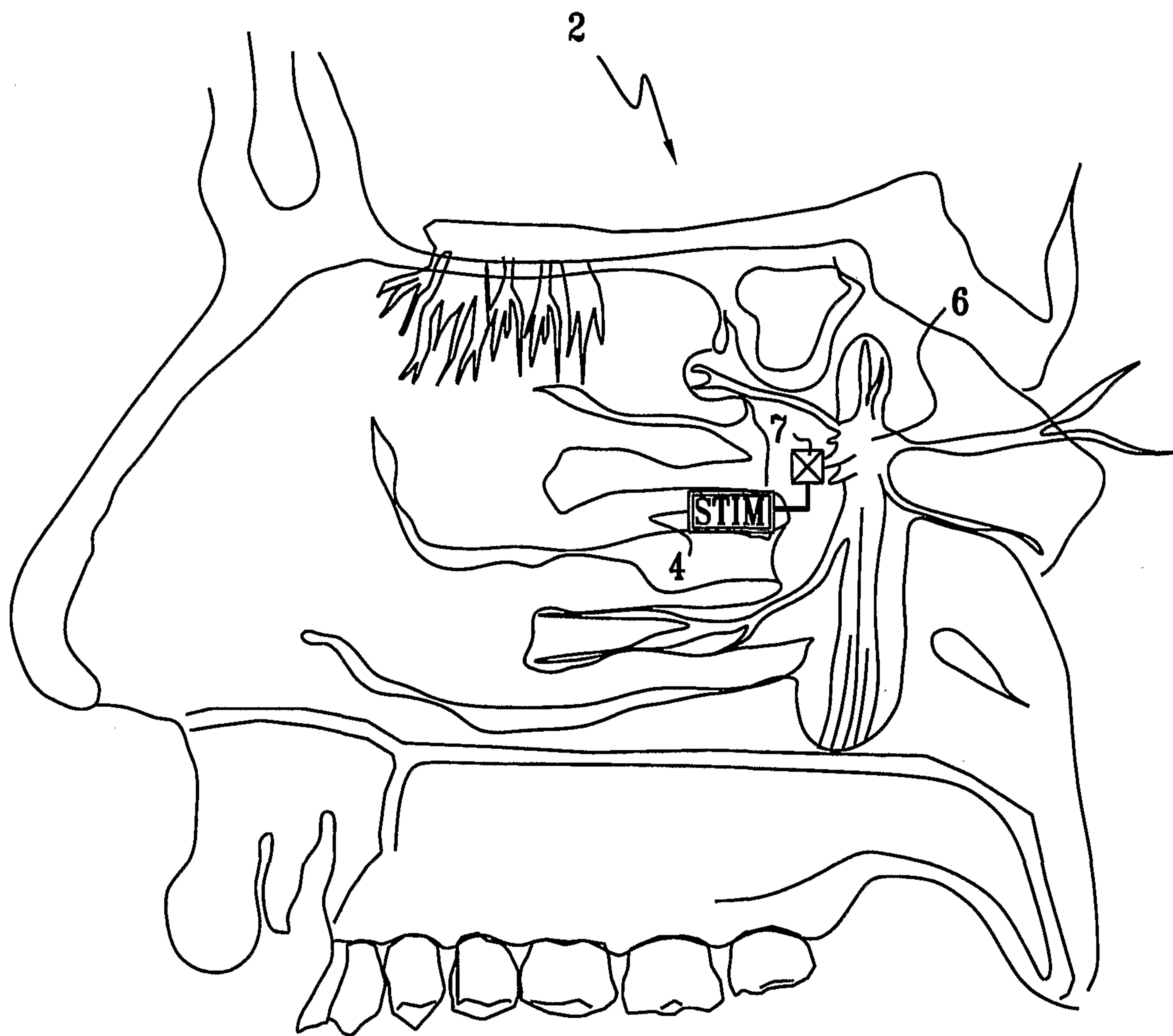
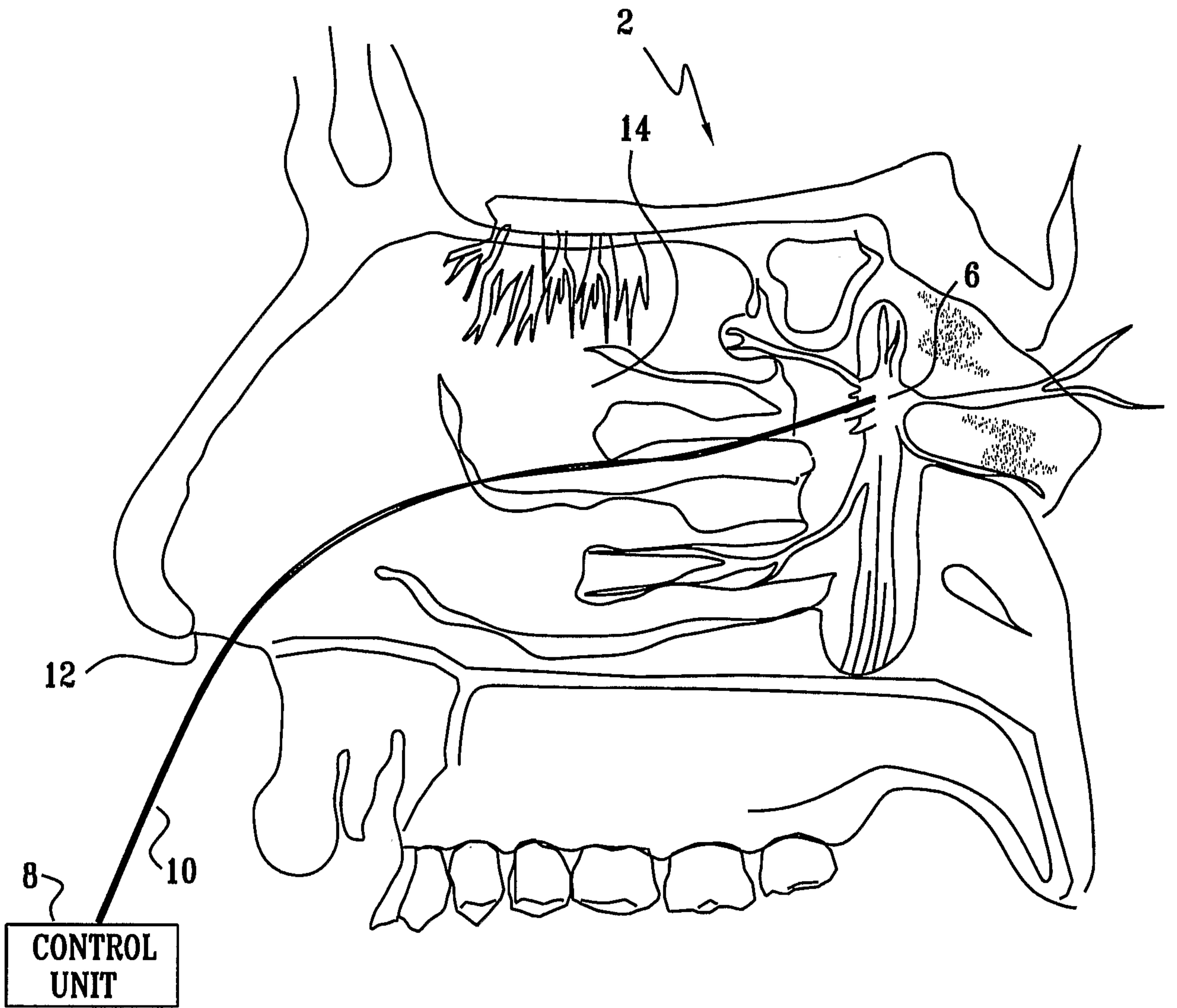


FIG. 2



3/8

FIG. 3

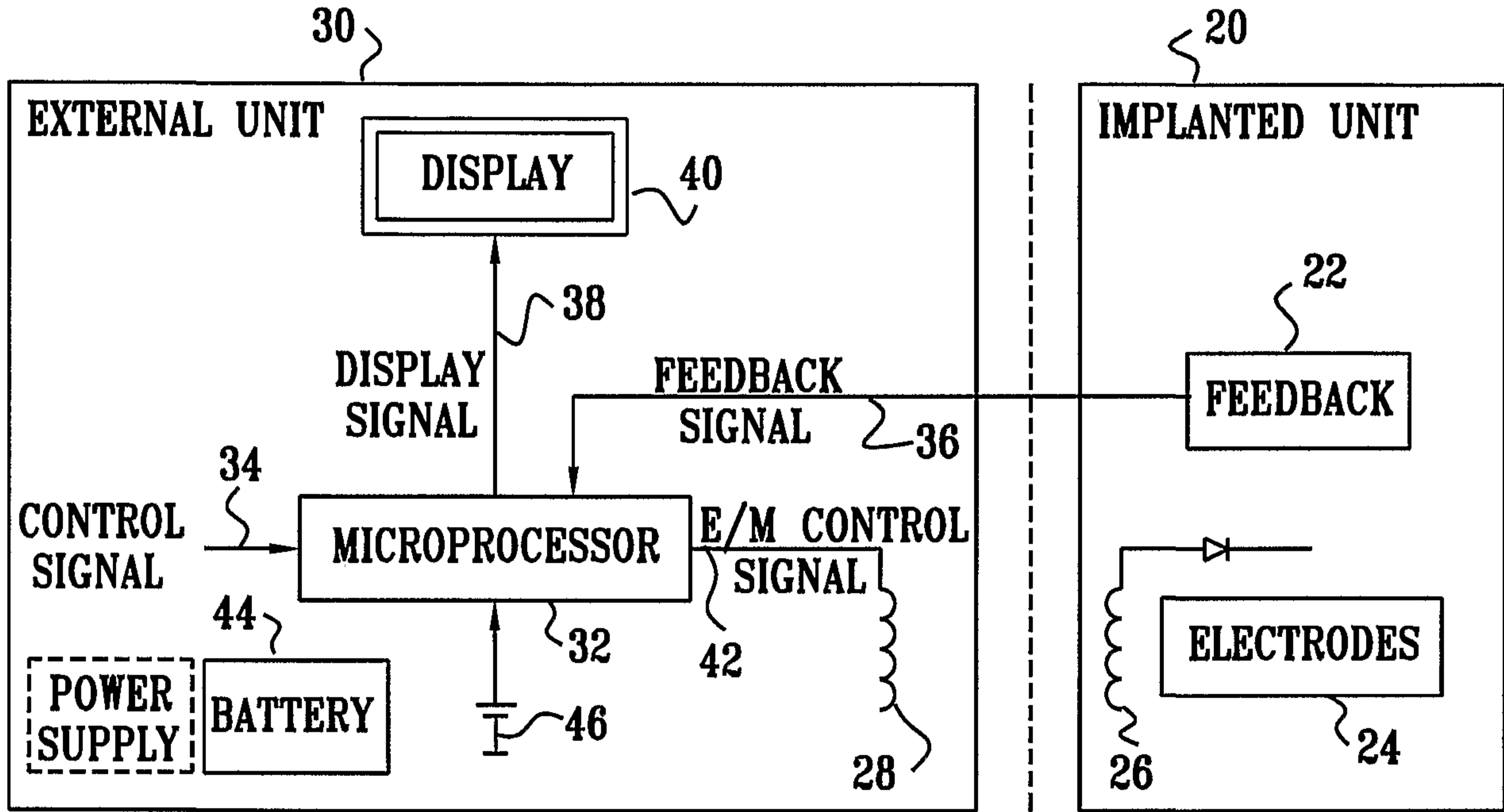
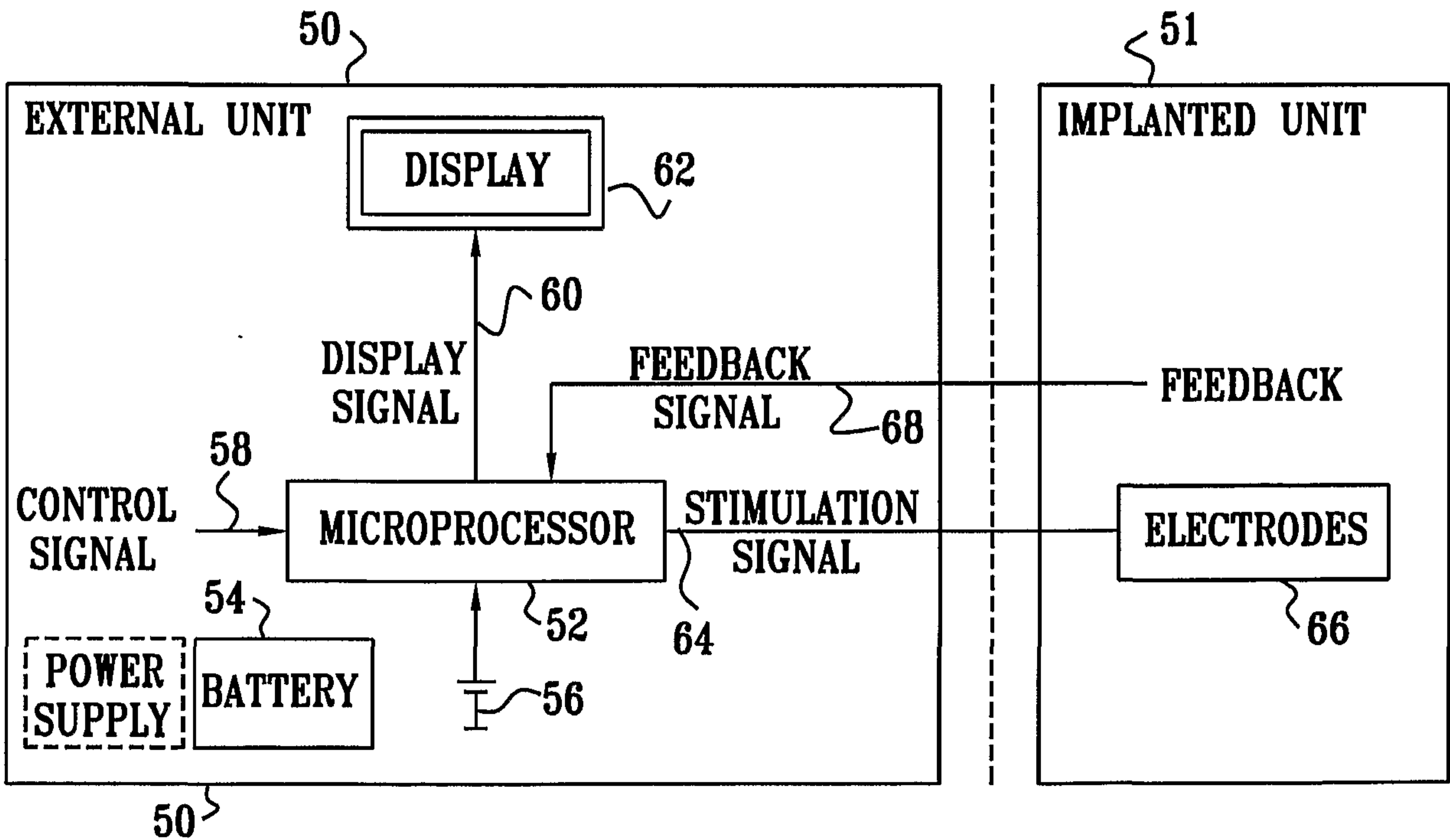


FIG. 4



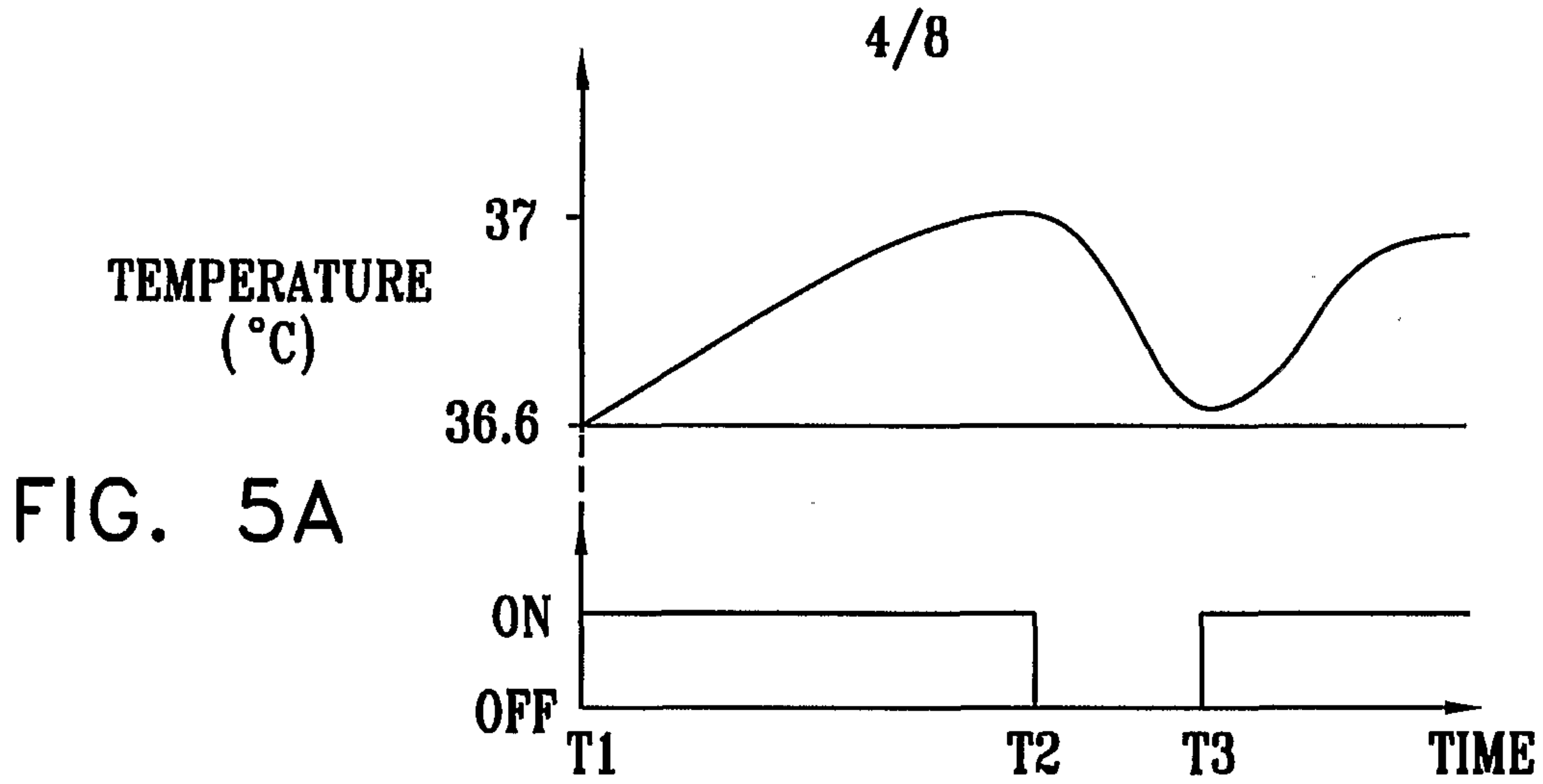


FIG. 5A

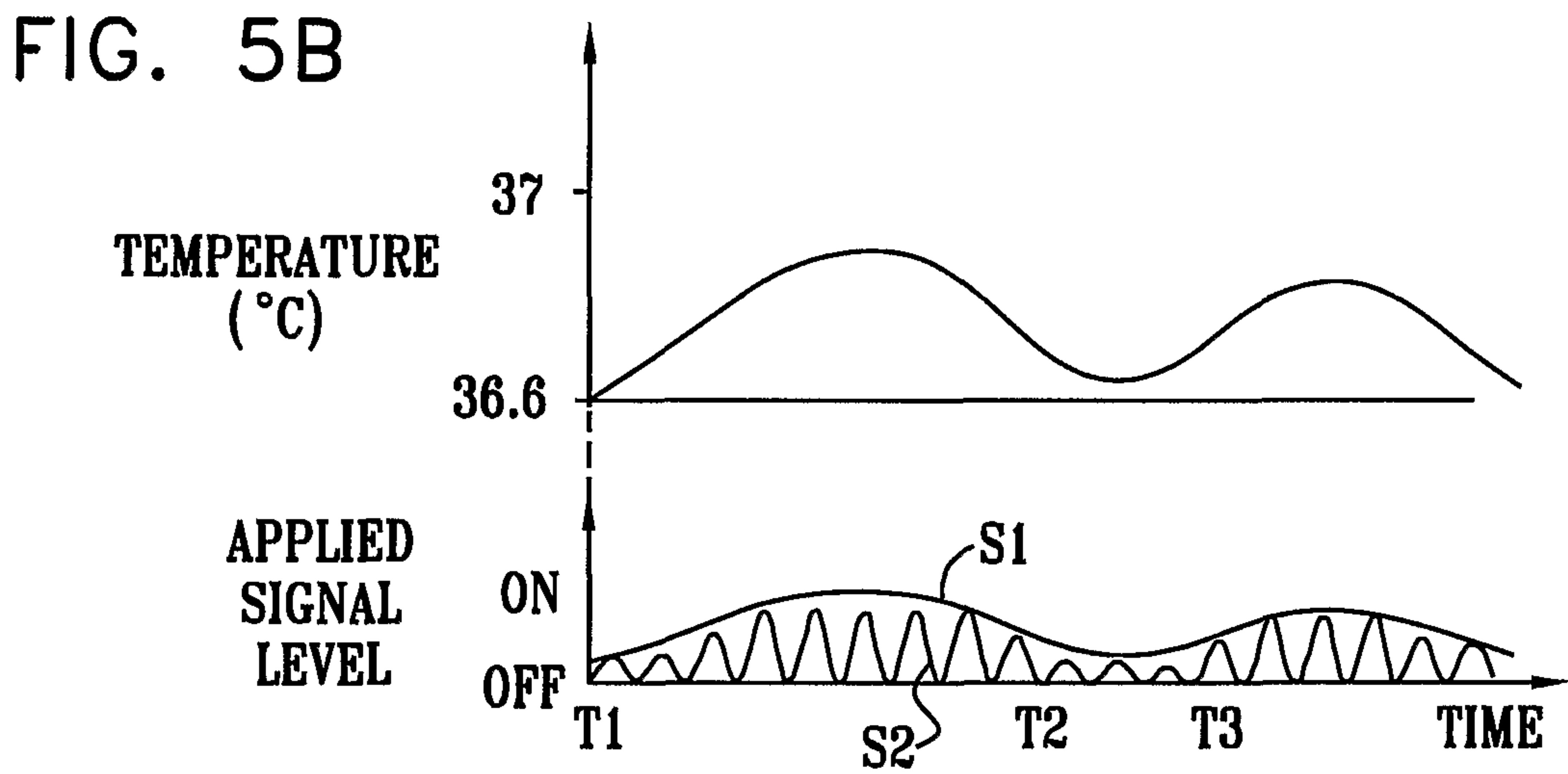


FIG. 5B

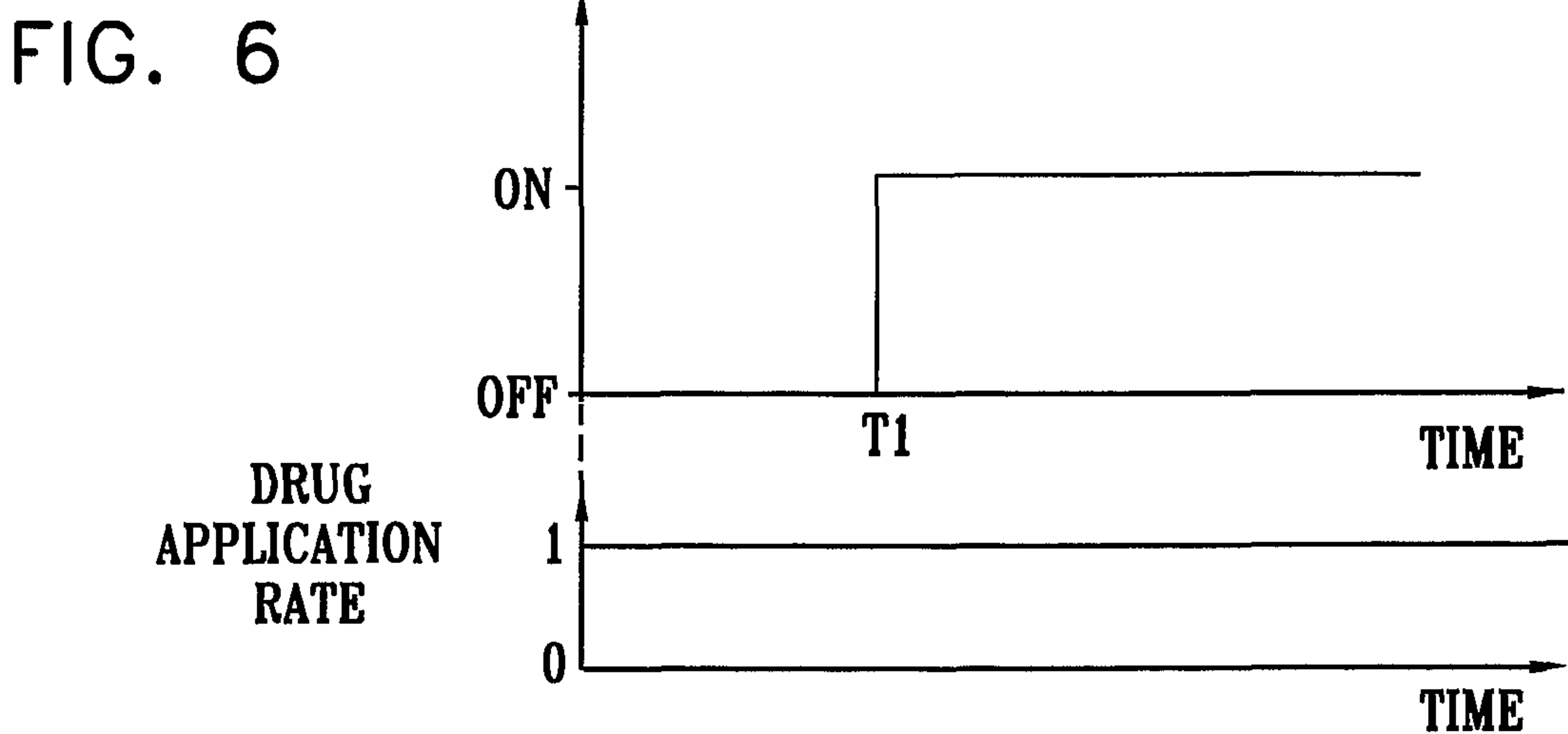


FIG. 6

FIG. 7

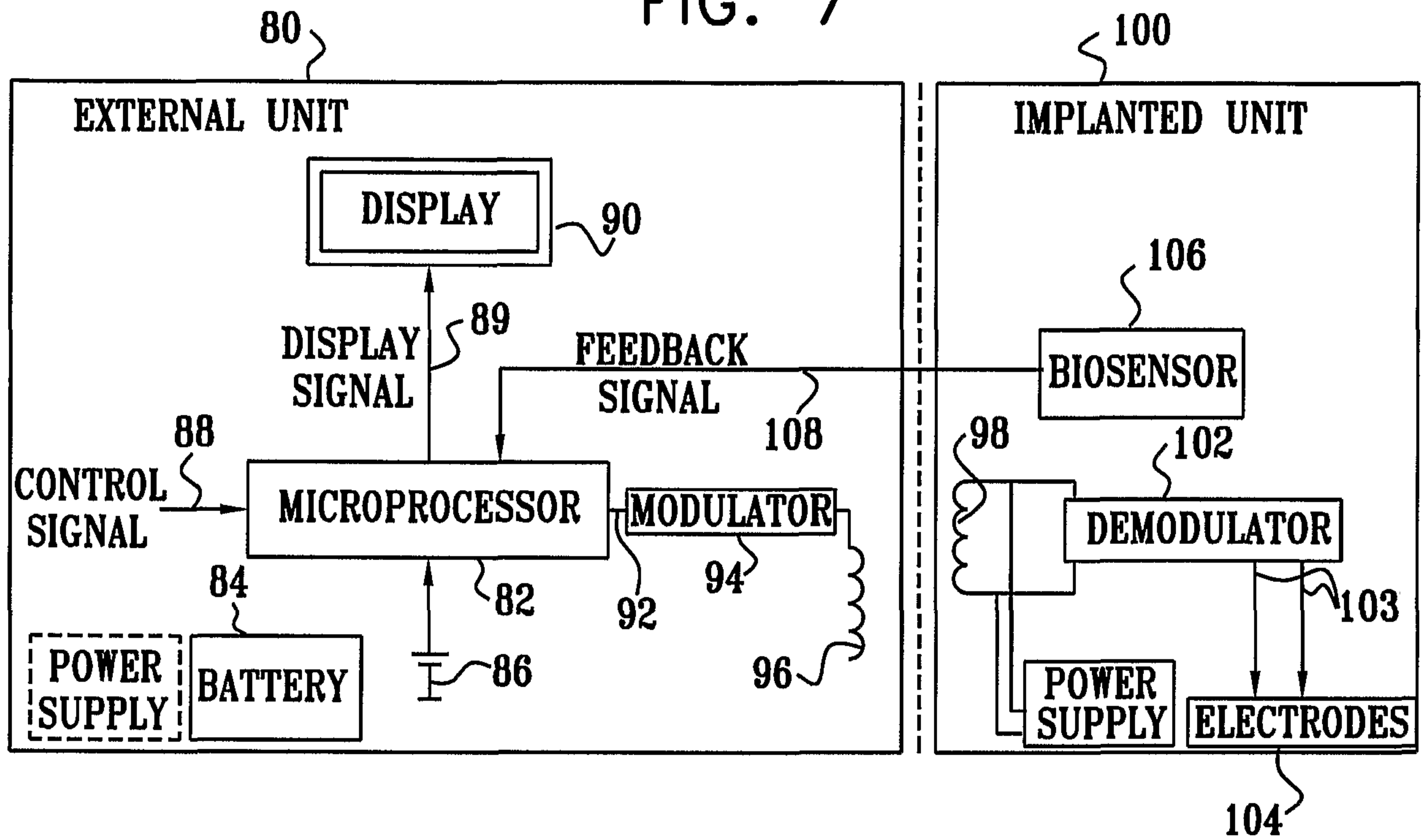


FIG. 8

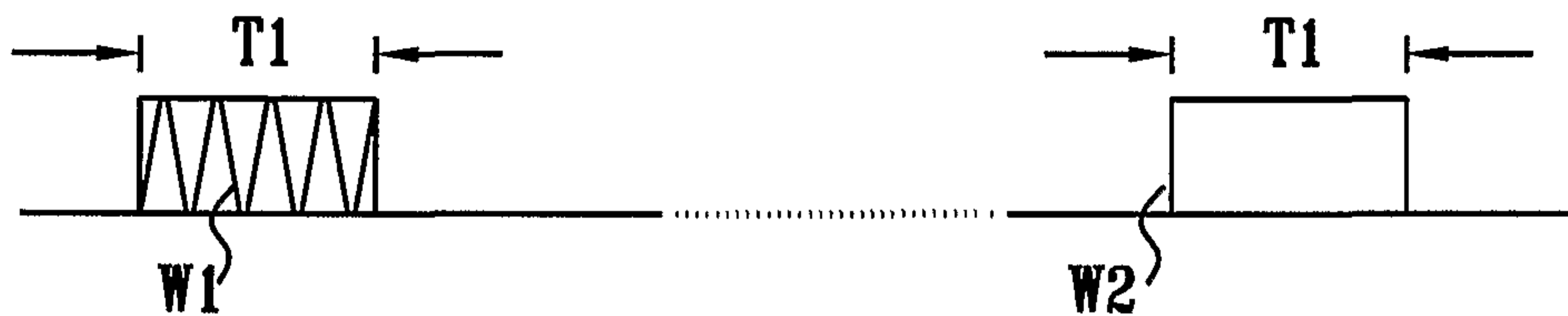


FIG. 9

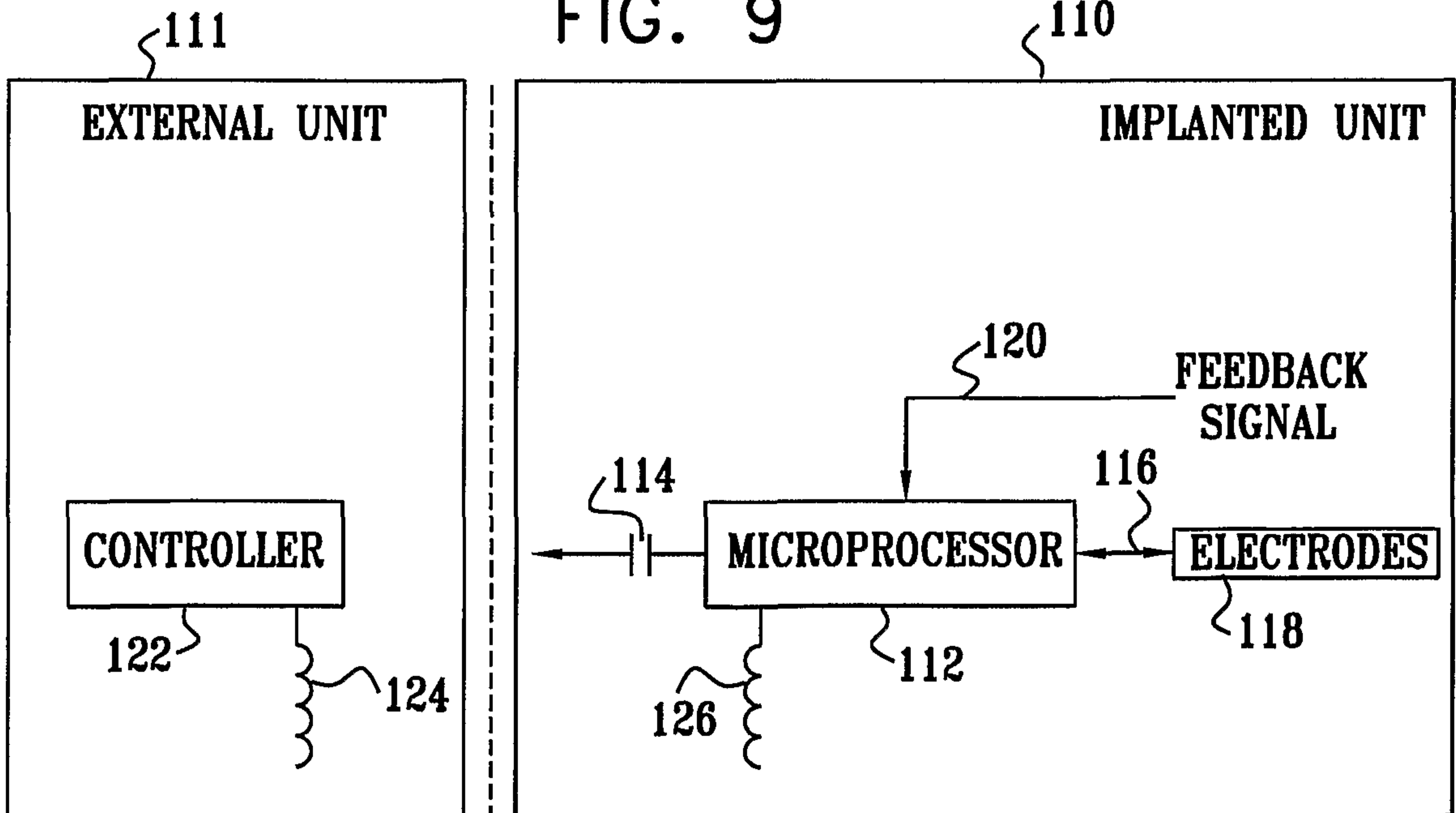


FIG. 10A

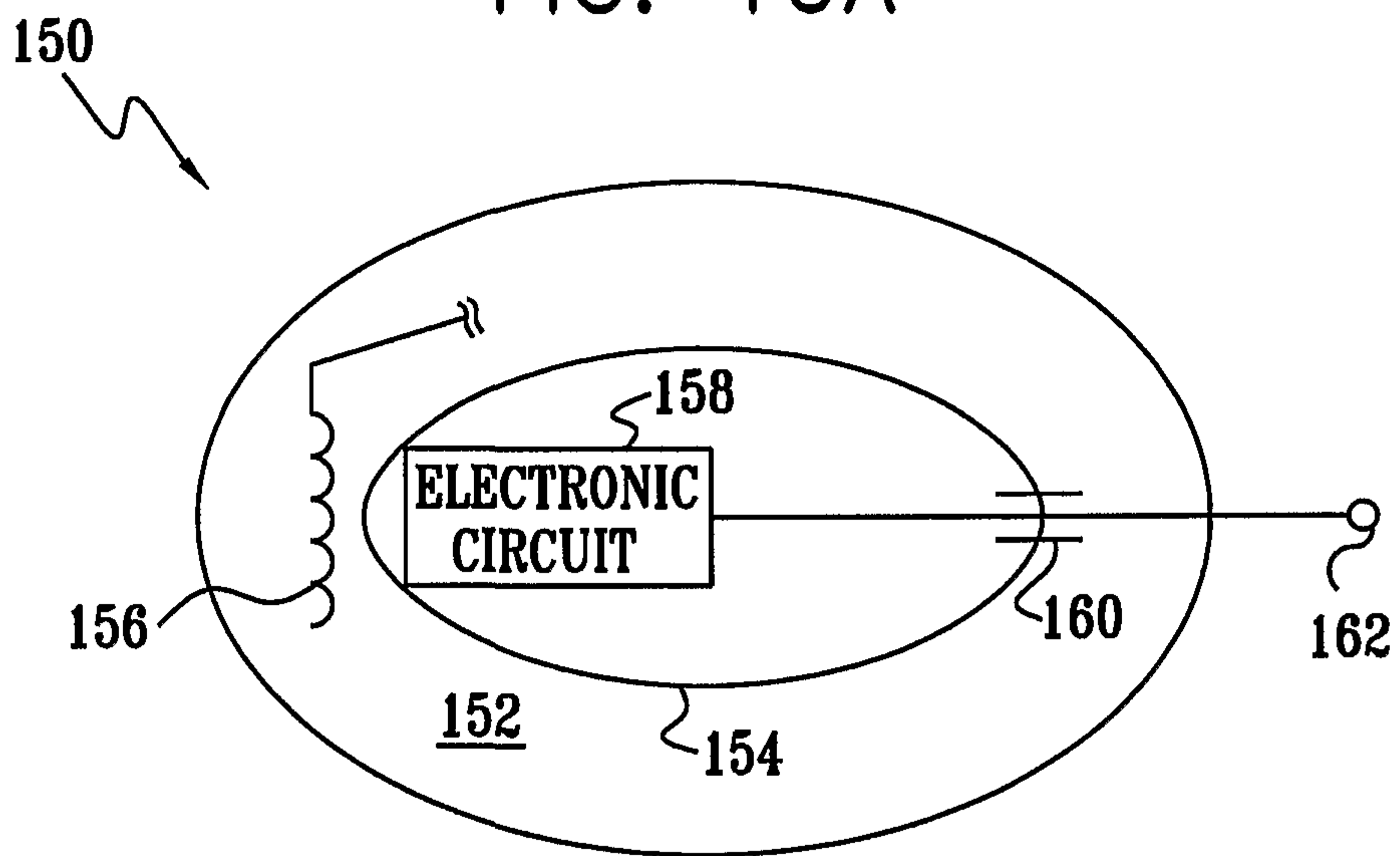
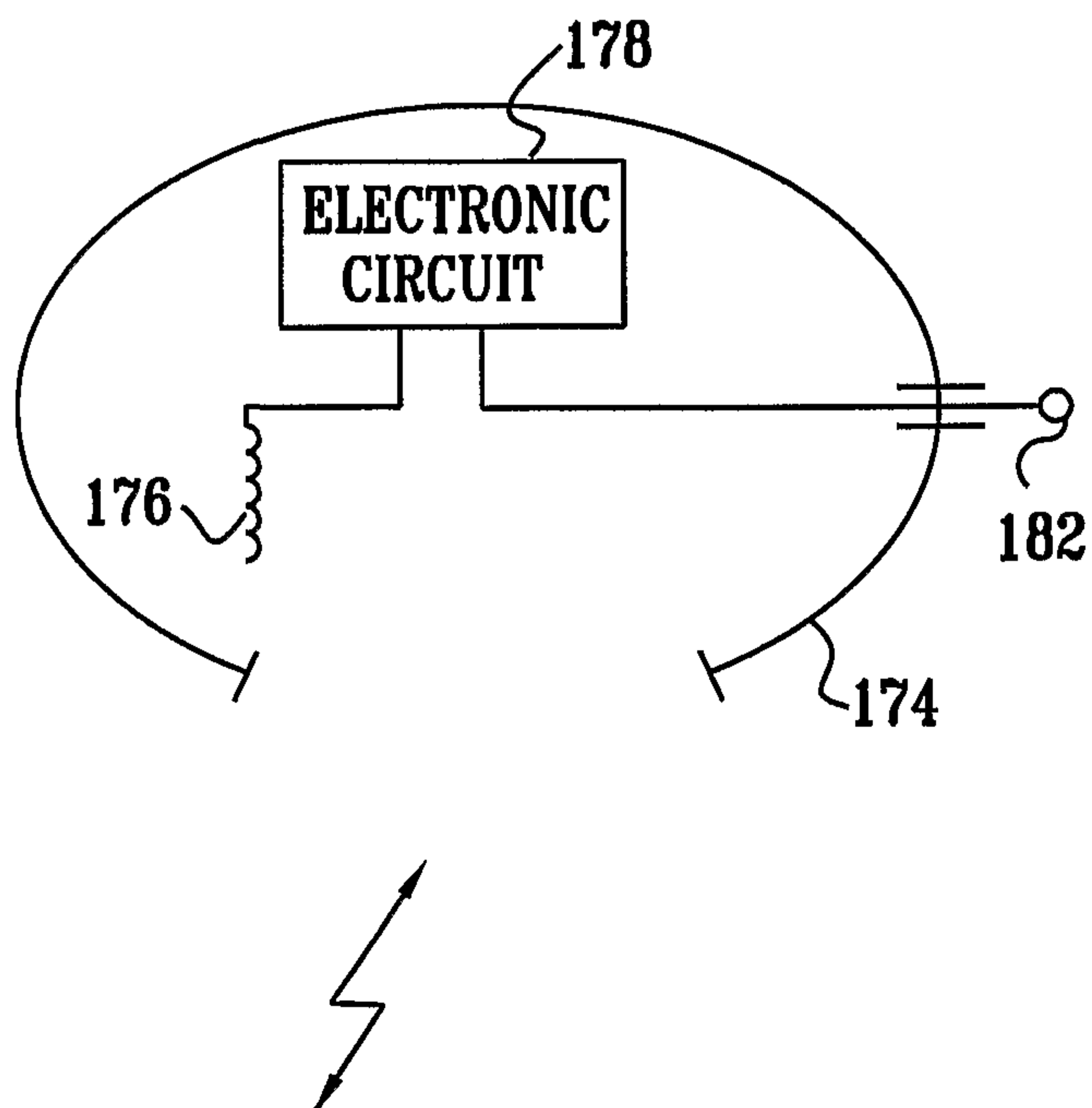


FIG. 10B



7/8

FIG. 11

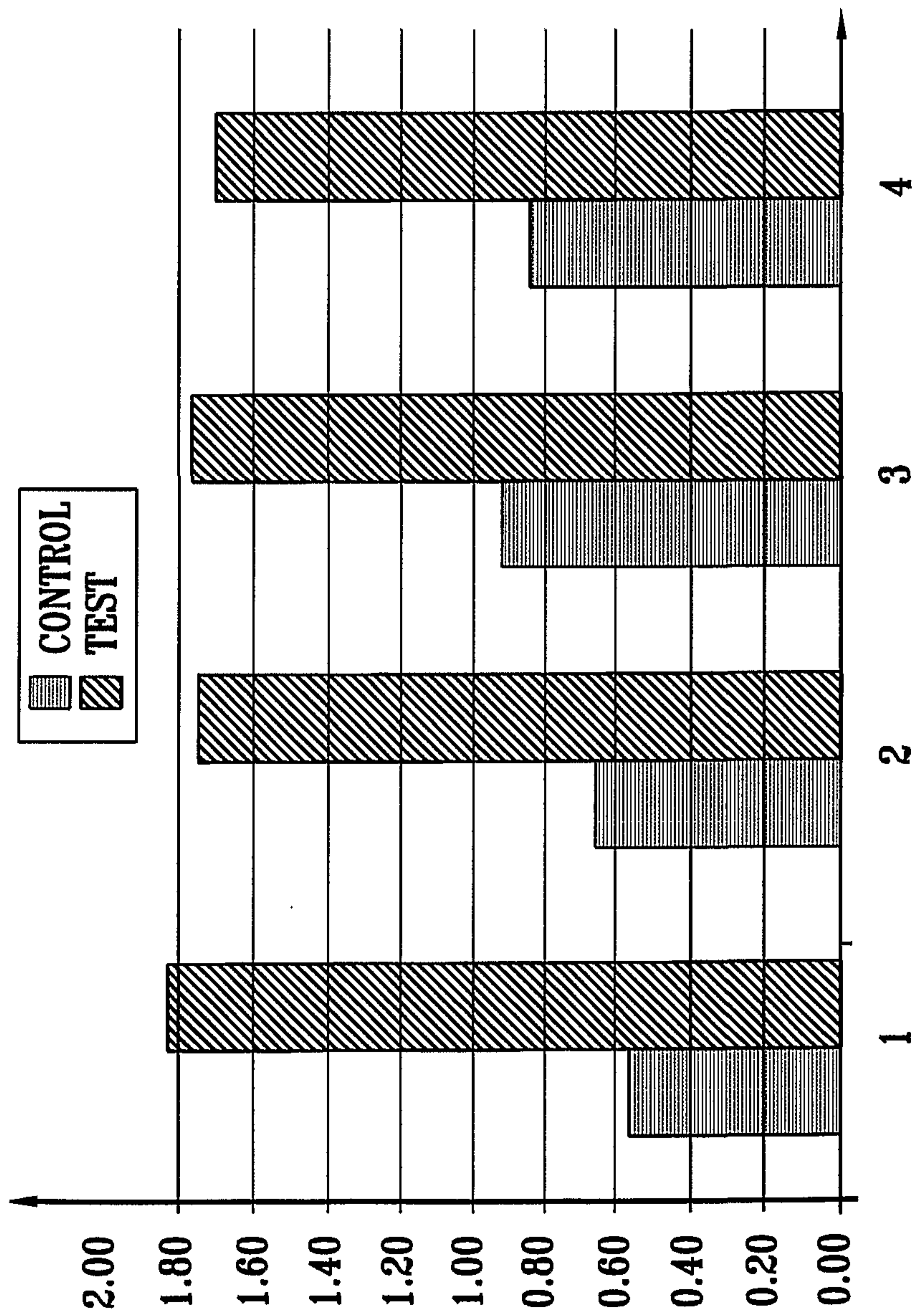


FIG. 12

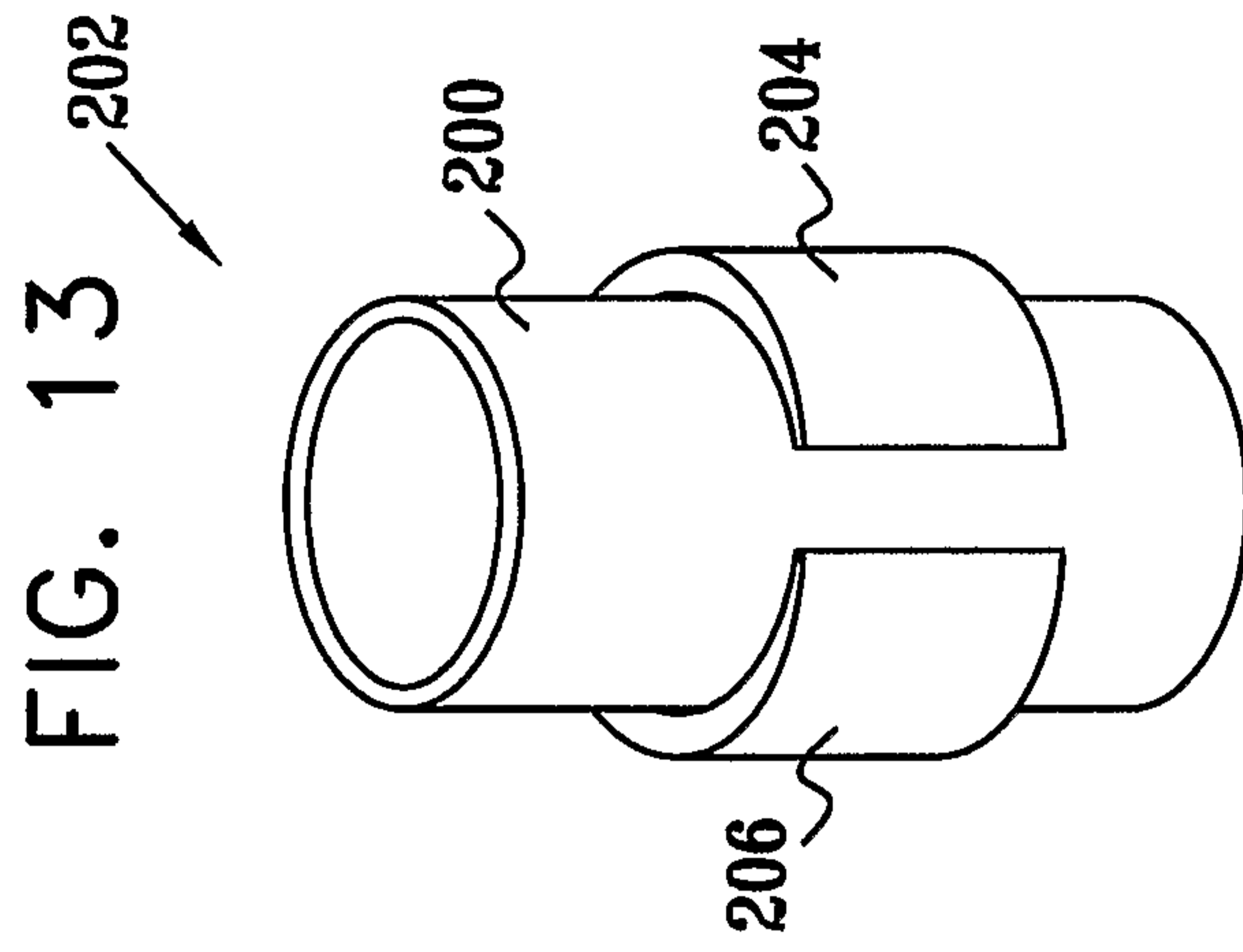
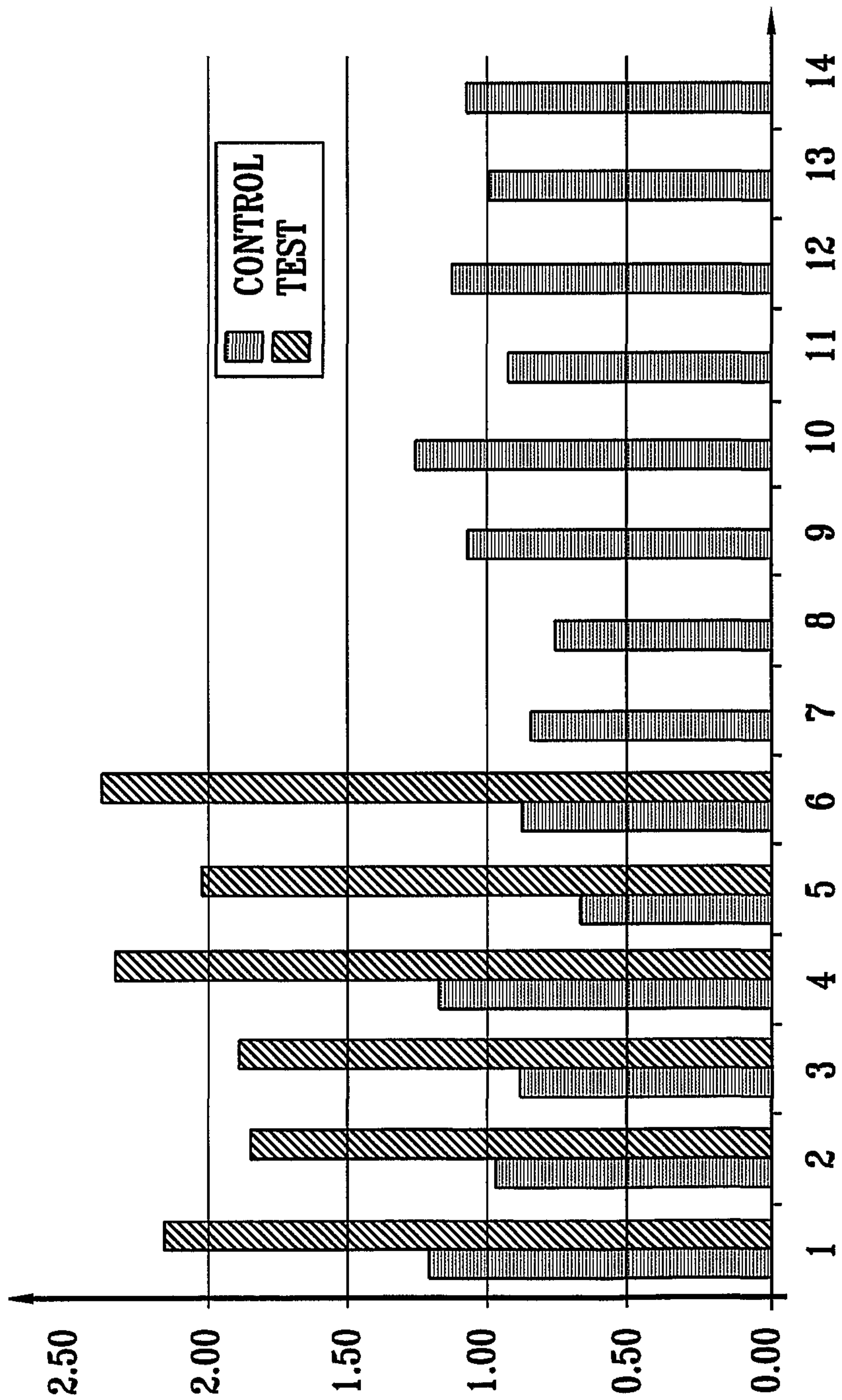


FIG. 13

