



- (51) International Patent Classification: *B64D 11/06* (2006.01) *B60N 2/46* (2006.01)
- (21) International Application Number: PCT/US2013/031129
- (22) International Filing Date: 14 March 2013 (14.03.2013)
- (25) Filing Language: English
- (26) Publication Language: English
- (30) Priority Data: 61/610,547 14 March 2012 (14.03.2012) US
- (71) Applicant: **B/E AEROSPACE, INC.** [US/US]; 1400 Corporate Center Way, Wellington, FL 33414 (US).
- (72) Inventors: **WALLACE, Andrew, Gordon**; The Old Gardens, Highleadon, Nr. Newant, Gloucestershire GL18 1HJ (GB). **RUTTER, Paul, Benedict**; 3 Greville House, Yeomanry Close, Warwick, Warwickshire CV34 4UJ (GB). **POZZI, Alexander, Nicholas**; 5281 Ivystone Lane, Winston-Salem, NC 27104 (US).
- (74) Agents: **ADAMS, Thad, W., III** et al.; Shumaker, Loop & Kendrick, LLP, First Citizens Bank Plaza, 128 South Tryon Street, Suite 1800, Charlotte, NC 28202 (US).
- (81) Designated States (*unless otherwise indicated, for every kind of national protection available*): AE, AG, AL, AM, AO, AT, AU, AZ, BA, BB, BG, BH, BN, BR, BW, BY, BZ, CA, CH, CL, CN, CO, CR, CU, CZ, DE, DK, DM, DO, DZ, EC, EE, EG, ES, FI, GB, GD, GE, GH, GM, GT, HN, HR, HU, ID, IL, IN, IS, JP, KE, KG, KM, KN, KP, KR, KZ, LA, LC, LK, LR, LS, LT, LU, LY, MA, MD, ME, MG, MK, MN, MW, MX, MY, MZ, NA, NG, NI, NO, NZ, OM, PA, PE, PG, PH, PL, PT, QA, RO, RS, RU, RW, SC, SD, SE, SG, SK, SL, SM, ST, SV, SY, TH, TJ, TM, TN, TR, TT, TZ, UA, UG, US, UZ, VC, VN, ZA, ZM, ZW.
- (84) Designated States (*unless otherwise indicated, for every kind of regional protection available*): ARIPO (BW, GH, GM, KE, LR, LS, MW, MZ, NA, RW, SD, SL, SZ, TZ, UG, ZM, ZW), Eurasian (AM, AZ, BY, KG, KZ, RU, TJ, TM), European (AL, AT, BE, BG, CH, CY, CZ, DE, DK, EE, ES, FI, FR, GB, GR, HR, HU, IE, IS, IT, LT, LU, LV,

[Continued on next page]

(54) Title: ARMREST ASSEMBLY WITH DEPLOYABLE BED EXTENSION

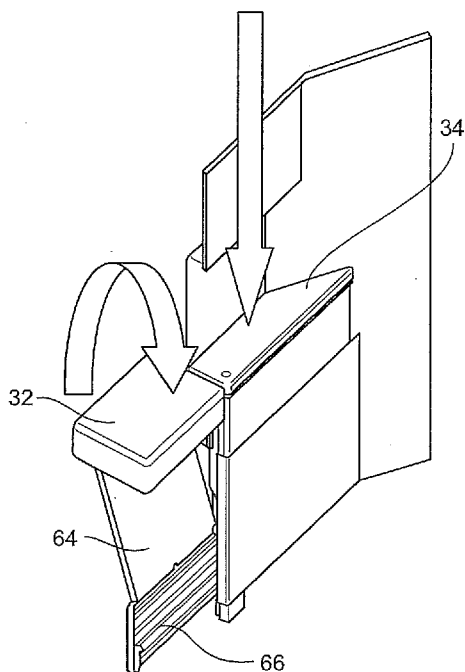


Fig. 8

(57) Abstract: An armrest assembly (22, 20) for a seat (12) of the type that is convertible into a lie flat bed, the armrest assembly including an armrest (34), an armrest housing (40) in which the armrest is mounted for vertical movement, and a planar bed extension (32) having an upper bed surface is mounted in the armrest housing for movement between a stowed position wherein the bed extension is contained in a vertical position in the armrest housing and a deployed position wherein the bed extension is positioned exterior to the armrest housing in a raised, horizontal position, wherein the armrest and bed extension reside in horizontal alignment with a seat back and seat bottom of the seat to collectively define a portion of a bed.



MC, MK, MT, NL, NO, PL, PT, RO, RS, SE, SI, SK,
SM, TR), OAPI (BF, BJ, CF, CG, CI, CM, GA, GN, GQ,
GW, ML, MR, NE, SN, TD, TG).

— before the expiration of the time limit for amending the
claims and to be republished in the event of receipt of
amendments (Rule 48.2(h))

Declarations under Rule 4.17:

— of inventorship (Rule 4.17(iv))

(88) Date of publication of the international search report:

7 November 2013

Published:

— with international search report (Art. 21(3))

INTERNATIONAL SEARCH REPORT

International application No
PCT/US2013/031129

A. CLASSIFICATION OF SUBJECT MATTER
INV. B64D11/06 B60N2/46
ADD.
According to International Patent Classification (IPC) or to both national classification and IPC

B. FIELDS SEARCHED
Minimum documentation searched (classification system followed by classification symbols)
B64D B60N

Documentation searched other than minimum documentation to the extent that such documents are included in the fields searched

Electronic data base consulted during the international search (name of data base and, where practicable, search terms used)
EPO-Internal, WPI Data

C. DOCUMENTS CONSIDERED TO BE RELEVANT

Category*	Citation of document, with indication, where appropriate, of the relevant passages	Relevant to claim No.
X	DE 10 2009 033798 A1 (DAIMLER AG [DE]) 30 September 2010 (2010-09-30)	1,4-6
A	paragraphs [0001], [0005] - [0017], [0026] - [0042] figures 1-8	10
A	----- EP 1 759 991 A1 (LUFTHANSA TECHNIK AG [DE]) 7 March 2007 (2007-03-07) paragraphs [0001], [0004] - [0007], [0010] - [0020], [0022] - [0035] figures 1-8	1,10
A	----- US 7 517 010 B2 (SAINT-JALMES BRUNO [FR] ET AL) 14 April 2009 (2009-04-14) column 1, lines 4-8 column 1, line 40 - column 2, line 36 column 2, line 60 - column 6, line 6 figures 1-10 -----	1,10

Further documents are listed in the continuation of Box C.

See patent family annex.

* Special categories of cited documents :

- "A" document defining the general state of the art which is not considered to be of particular relevance
- "E" earlier application or patent but published on or after the international filing date
- "L" document which may throw doubts on priority claim(s) or which is cited to establish the publication date of another citation or other special reason (as specified)
- "O" document referring to an oral disclosure, use, exhibition or other means
- "P" document published prior to the international filing date but later than the priority date claimed

- "T" later document published after the international filing date or priority date and not in conflict with the application but cited to understand the principle or theory underlying the invention
- "X" document of particular relevance; the claimed invention cannot be considered novel or cannot be considered to involve an inventive step when the document is taken alone
- "Y" document of particular relevance; the claimed invention cannot be considered to involve an inventive step when the document is combined with one or more other such documents, such combination being obvious to a person skilled in the art
- "&" document member of the same patent family

Date of the actual completion of the international search 26 August 2013	Date of mailing of the international search report 03/09/2013
--	---

Name and mailing address of the ISA/ European Patent Office, P.B. 5818 Patentlaan 2 NL - 2280 HV Rijswijk Tel. (+31-70) 340-2040, Fax: (+31-70) 340-3016	Authorized officer Fernández Plaza, P
--	---

INTERNATIONAL SEARCH REPORT

Information on patent family members

International application No

PCT/US2013/031129

Patent document cited in search report	Publication date	Patent family member(s)	Publication date
DE 102009033798 A1	30-09-2010	NONE	

EP 1759991	A1	07-03-2007	AT 459532 T 15-03-2010
			DE 202006020823 U1 15-07-2010
			EP 1759991 A1 07-03-2007
			EP 1919775 A1 14-05-2008
			EP 2181922 A1 05-05-2010
			JP 5143739 B2 13-02-2013
			JP 2009505760 A 12-02-2009
			US 2008185887 A1 07-08-2008
			WO 2007025655 A1 08-03-2007
			ZA 200801623 A 28-01-2009

US 7517010	B2	14-04-2009	AT 555013 T 15-05-2012
			AU 2003294094 A1 27-04-2005
			BR 0318513 A 12-09-2006
			CA 2540115 A1 21-04-2005
			CN 1860061 A 08-11-2006
			EP 1663781 A1 07-06-2006
			FR 2860194 A1 01-04-2005
			JP 4795792 B2 19-10-2011
			JP 2007514580 A 07-06-2007
			RU 2335417 C2 10-10-2008
			US 2005067870 A1 31-03-2005
			US 2007210209 A1 13-09-2007
			WO 2005030580 A1 07-04-2005
			WO 2005035360 A1 21-04-2005
