



US00D352146S

# United States Patent [19]

[11] Patent Number: Des. 352,146

Wulff

[45] Date of Patent: \*\* Nov. 1, 1994

## [54] COMPACT CARPET EXTRACTOR

[75] Inventor: **Richard F. Wulff**, Maple Plain, Minn.

[73] Assignee: **Castex Incorporated**, Holland, Mich.

[\*\*] Term: **14 Years**

[21] Appl. No.: **1,113**

[22] Filed: **Nov. 3, 1992**

[52] U.S. Cl. .... **D32/24**

[58] Field of Search ..... 15/320-321,  
15/3.5, 344; 137/259, 565; 239/302, 308, 310;  
D32/1, 4, 15-17, 19, 20, 25, 30-31; D23/202,  
223, 225, 226; D15/7-9

## [56] References Cited

### U.S. PATENT DOCUMENTS

D. 236,830	9/1975	Bochmann et al. ....	D23/225
D. 272,380	1/1984	Poon .....	D23/225
D. 284,885	7/1986	Nakamura .....	D23/225
D. 295,442	4/1988	Witte .....	D23/225
D. 334,972	4/1993	Berfield et al. ....	D23/225
D. 341,450	11/1993	Tinius .....	D32/15
4,910,828	3/1990	Blase et al. ....	15/321

## OTHER PUBLICATIONS

CleanMaster, Inc. (CM 100 & CM 5.75), 1987 Leaflet.

*Primary Examiner*—Ruth McInroy  
*Attorney, Agent, or Firm*—Price, Heneveld, Cooper,  
DeWitt & Litton

## CLAIM

[57]

The ornamental design for the compact carpet extractor, as shown and described.

## DESCRIPTION

FIG. 1 is a perspective view of a compact carpet extractor showing my new design;

FIG. 2 is a side elevational view thereof;

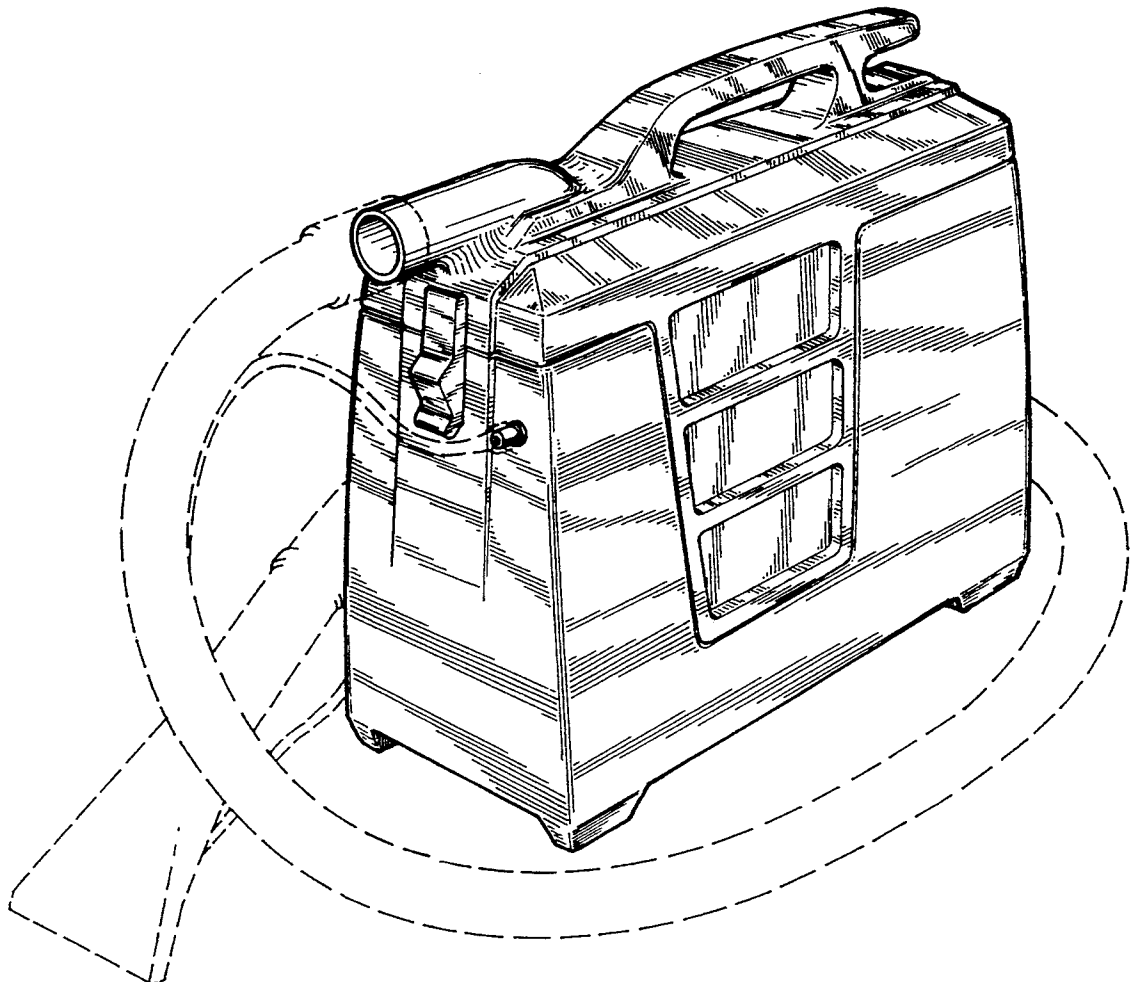
FIG. 3 is a front elevational view thereof;

FIG. 4 is a rear elevational view thereof; and,

FIG. 5 is a top plan view thereof.

The second side is a mirror image of FIG. 2.

The undisclosed bottom view is plain and unornamented. The nozzle and hose shown in broken lines in FIG. 1 are shown for illustrative purposes only and form no part of the claimed design.



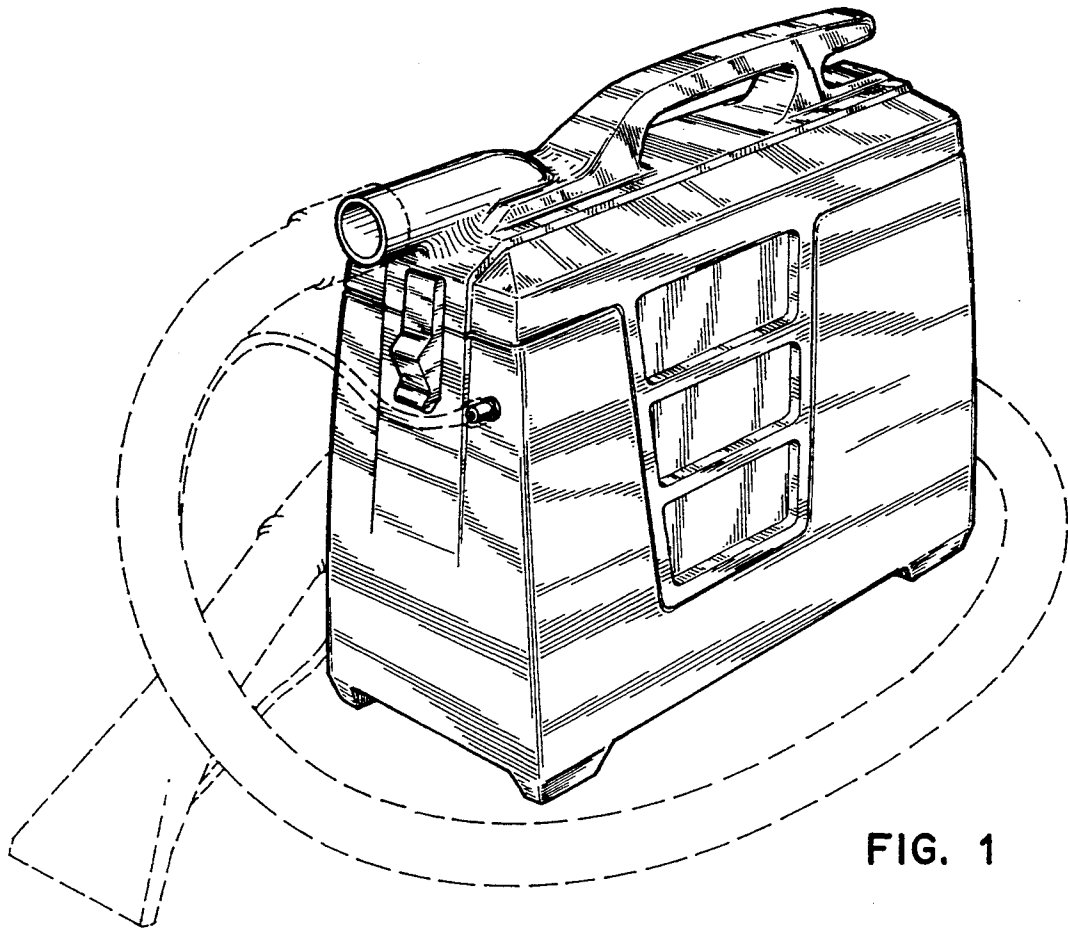


FIG. 1

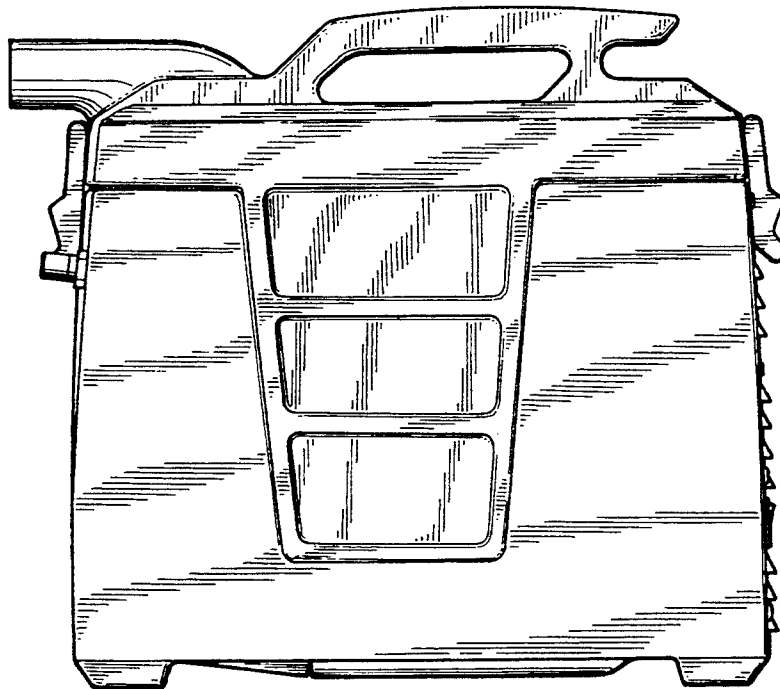


FIG. 2

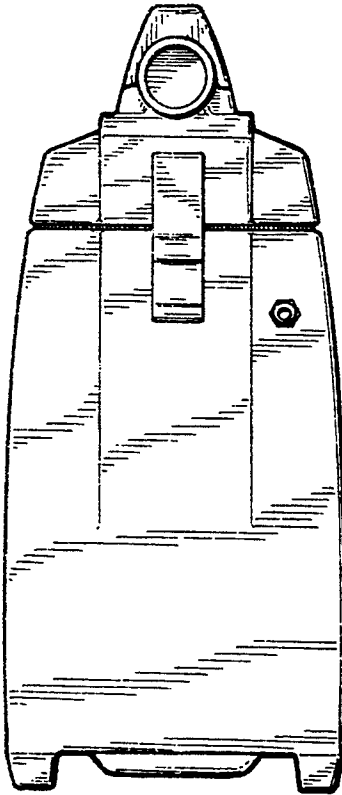


FIG. 3

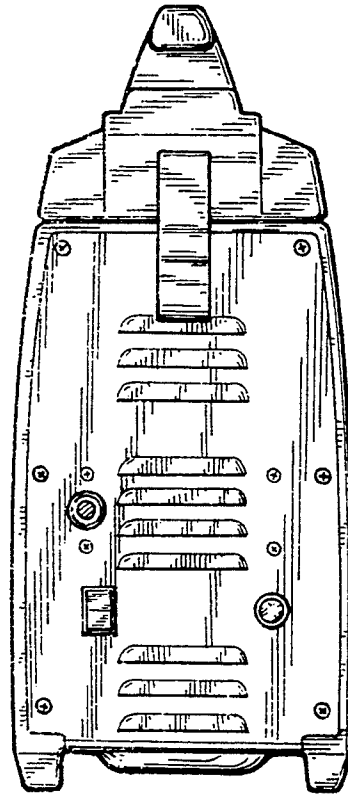


FIG. 4

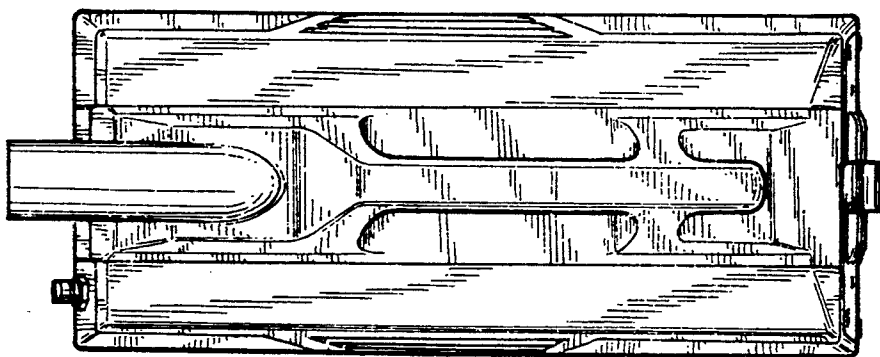


FIG. 5