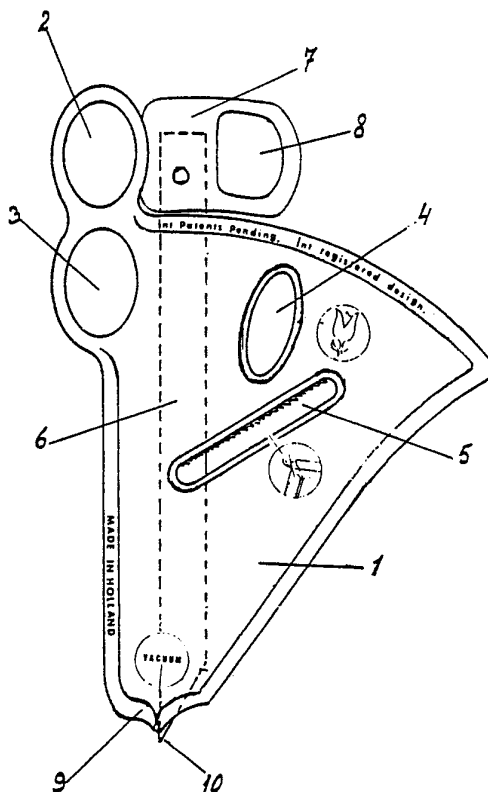




INTERNATIONAL APPLICATION PUBLISHED UNDER THE PATENT COOPERATION TREATY (PCT)

<p>(51) International Patent Classification⁴ : B26B 13/00</p>	<p>A1</p>	<p>(11) International Publication Number: WO 89/ 00486 (43) International Publication Date: 26 January 1989 (26.01.89)</p>
<p>(21) International Application Number: PCT/EP88/00623 (22) International Filing Date: 11 July 1988 (11.07.88) (31) Priority Application Number: 8701648 (32) Priority Date: 14 July 1987 (14.07.87) (33) Priority Country: NL (71)(72) Applicant and Inventor: KOPPELMANS, Leonardus, Aloisius [NL/NL]; Berkenlaan 3, NL-5571 AC Bergeyk (NL). (81) Designated States: AT (European patent), AU, BE (European patent), CH (European patent), DE (European patent), FR (European patent), GB (European patent), IT (European patent), JP, LU (European patent), NL (European patent), SE (European patent), US.</p>		<p>Published <i>With international search report.</i></p>

(54) Title: CUTTING APPLIANCE



(57) Abstract

The invention regards a cutting appliance that consists of a cutter (6) inside a plastic housing (1) in such a way that the cutter (6) can be moved by fingers. Different objects, like corners of wrappers or stems of flowers can be inserted into the openings (4, 5) in the housing (1) to be properly cut off. The cutter has an extra provision, that provides a safe method for opening vacuum packages. The sharp cutting edge (10) cannot induce danger when at rest because of the cutter (6) being completely within the housing (1).

FOR THE PURPOSES OF INFORMATION ONLY

Codes used to identify States party to the PCT on the front pages of pamphlets publishing international applications under the PCT.

AT	Austria	FR	France	ML	Mali
AU	Australia	GA	Gabon	MR	Mauritania
BB	Barbados	GB	United Kingdom	MW	Malawi
BE	Belgium	HU	Hungary	NL	Netherlands
BG	Bulgaria	IT	Italy	NO	Norway
BJ	Benin	JP	Japan	RO	Romania
BR	Brazil	KP	Democratic People's Republic of Korea	SD	Sudan
CF	Central African Republic	KR	Republic of Korea	SE	Sweden
CG	Congo	LI	Liechtenstein	SN	Senegal
CH	Switzerland	LK	Sri Lanka	SU	Soviet Union
CM	Cameroon	LU	Luxembourg	TD	Chad
DE	Germany, Federal Republic of	MC	Monaco	TG	Togo
DK	Denmark	MG	Madagascar	US	United States of America
FI	Finland				

Cutting appliance

The invention regards a cutting appliance that consists of a cutter inside a plastic housing in such a way that the cutter can be moved by fingers. Different objects, like corners of wrappers or stems of flowers can be inserted into the openings in the housing to be properly
05 cut off. The cutter has an extra provision, that provides a safe method for opening vacuum-packages. The sharp cutting edge can't induce danger when in rest because of the cutter being completely within the housing.

Cigar cutters are known where a cutter slides behind an opening. These
10 utensils are only useful for cutting ends of cigars.

The invention will be described referring to the drawings:

Figure 1) shows the outside.

Figure 2) shows the side.

15 figure 3) shows a cross-section.

Figure 1) shows the housing 1) provided with fingeropenings 2) and 3). Opening 4) is meant to be used to cut off flowerstems askew. The opening 5) is meant to cut off a corner of a carton package like for
20 instance fruitjuices. On the swinging cutter 6) a plastic part 7) is mounted, which has a finger opening 8). When the cutter 6) is held as is demonstrated in the drawing at 9) a sharp point 10) appears that is to be used to open vacuum- or blister packages.

25 Figure 2) shows that the housing 1) consists of two parts connected to each other.

Figure 3) shows a cross-section of the housing 1). The cutter 6) with part 7) is rotatable around pin 11) which is a part of the housing 1).
30 A spring 12) which is held in place by pin 13) forces the cutter 6) by the bended end 14) to the indicated position. Because of the turning point 11) and the pin 13) do not coincide is the cutter 6) provided with a flat section 15) where the end of spring 14) can slide along. The cutting edge 16) can be straight or undulated.

-2-

The cutting action is performed by -for instance- the thumb in fingeropening 8) and the fore- and middlefinger in the fingeropening 2) and 3) moving the cutter 6) against the action of the spring by bringing the fingers together. The opening 4) (in both parts of the housing 1)) is oval. The long axis of the oval is about parallel with the cutting edge 16) when this cutting edge passes the opening. The opening 4) allows flowerstems to be cut under an angle.

Opening 5) is placed at an angle to the passing cutting edge 16). This causes the cutter 6) to act as a pair of scissors. This is enhanced by sawteeth 17).

As drawn in figure 3! the sharp point 10) is completely within the housing 1) and is inaccessible. Also cutter 6) is in this position outside opening 4) and 5) which keeps the cutting edge 16) out of reach.

Part 7) is connected with a snapaction 18) to cutter 6). The two parts of the housing 1) can be assembled by welding or snapping. The hatched surfaces 19) and 20) can be used for this purpose.

Claims

1)Cutting appliance for household uses to open carton packages, cutting off flowerstems and opening vacuum- and blisterpackages characterised by a swinging cutting element within a plastic housing that contains an oval opening and an oblong opening positioned under an angle, provided
05 with sawteeth.

2)Cutting appliance as claimed in claim 1) characterised in that the cutting element is provided with a sharp point that protubes outside the housing when the cutting element has been moved against the force
10 of the spring to the end of its travel.

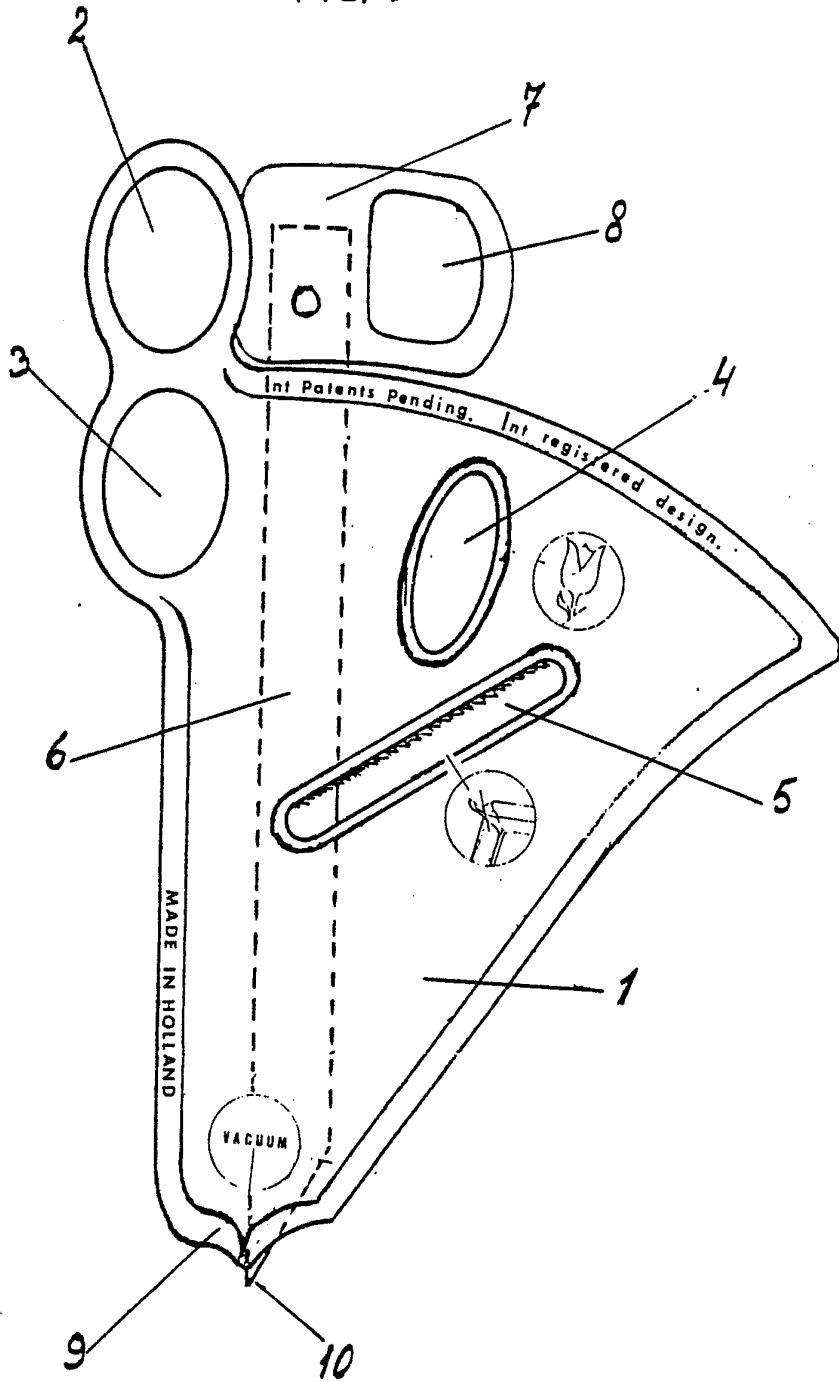
3)Cutting appliance as claimed in claim 1) and 2) characterised in that the plastic housing is provided with 2 openings and the cutting element is provided by a part that has also an opening, which openings
15 nings can be inserted by fingers of a hand.

4)Cutting appliance as claimed in claim 1) , 2) and 3) characterised in that the cutting edge and the sharp point are inaccessible when the cutting appliance is not in use.

1/2

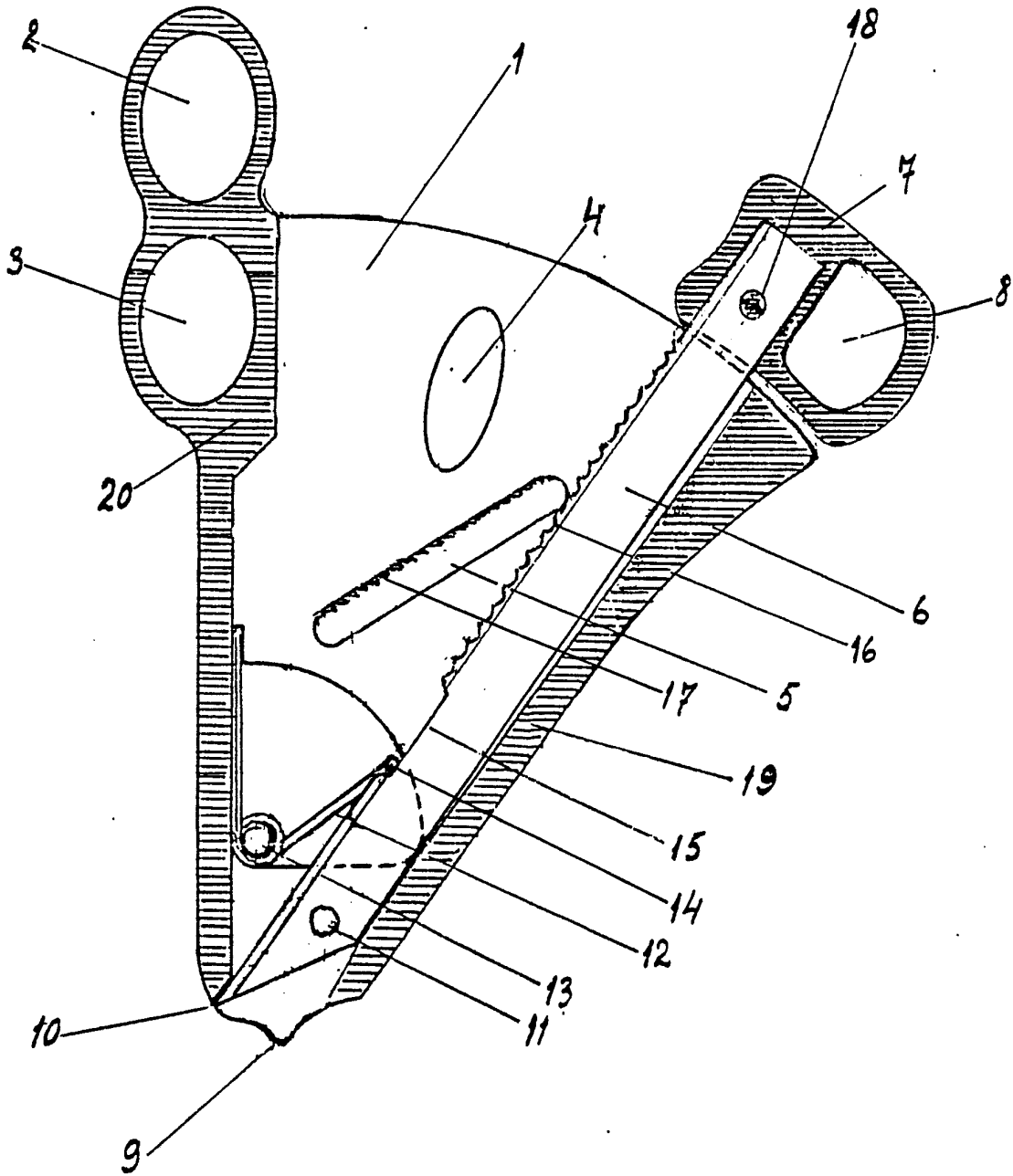
FIG. 1

FIG. 2




2/2

FIG. 3



INTERNATIONAL SEARCH REPORT

International Application No PCT/EP 88/00623

I. CLASSIFICATION OF SUBJECT MATTER (if several classification symbols apply, indicate all) ⁶		
According to International Patent Classification (IPC) or to both National Classification and IPC		
IPC ⁴ : B 26 B 13/00		
II. FIELDS SEARCHED		
Minimum Documentation Searched ⁷		
Classification System	Classification Symbols	
IPC ⁴	B 26 B; A 01 G	
Documentation Searched other than Minimum Documentation to the Extent that such Documents are Included in the Fields Searched ⁸		
III. DOCUMENTS CONSIDERED TO BE RELEVANT ⁹		
Category ⁹	Citation of Document, ¹¹ with indication, where appropriate, of the relevant passages ¹²	Relevant to Claim No. ¹³
X	GB, A, 2163988 (YEE HING IND.) 12 March 1986, see page 1; figures 1-3 --	1,3
A	GB, A, 1473646 (ROLCUT LTD) 18 May 1977, see page 1, lines 72-80; figure 1 --	1
Y	US, A, 4158914 (KURTZ, T.D.) 26 June 1979, see column 2, line 59 - column 4, line 16; figure 1 --	1,2,3,4
Y	DE, B, 1272169 (WIETSCHER N.) 4 July 1968, see column 3, lines 8-39; figures 1-3 --	1,2,3,4
A	US, A, 2557553 (METZGER M.I.) 19 June 1951, see columns 2,3; figure 1 --	1,3
A	US, A, 2591740 (STILWELL & STILWELL) 8 April 1952, see column 2, figures 1,2 -----	1,3
<p>⁹ Special categories of cited documents: ¹⁰</p> <p>"A" document defining the general state of the art which is not considered to be of particular relevance</p> <p>"E" earlier document but published on or after the international filing date</p> <p>"L" document which may throw doubts on priority claim(s) or which is cited to establish the publication date of another citation or other special reason (as specified)</p> <p>"O" document referring to an oral disclosure, use, exhibition or other means</p> <p>"P" document published prior to the international filing date but later than the priority date claimed</p> <p>"T" later document published after the international filing date or priority date and not in conflict with the application but cited to understand the principle or theory underlying the invention</p> <p>"X" document of particular relevance; the claimed invention cannot be considered novel or cannot be considered to involve an inventive step</p> <p>"Y" document of particular relevance; the claimed invention cannot be considered to involve an inventive step when the document is combined with one or more other such documents, such combination being obvious to a person skilled in the art.</p> <p>"&" document member of the same patent family</p>		
IV. CERTIFICATION		
Date of the Actual Completion of the International Search	Date of Mailing of this International Search Report	
4th October 1988	28 OCT 1988	
International Searching Authority	Signature of Authorized Officer	
EUROPEAN PATENT OFFICE	 P.C.G. VAN DER PUTTEN	

ANNEX TO THE INTERNATIONAL SEARCH REPORT
ON INTERNATIONAL PATENT APPLICATION NO.

EP 8800623

SA 23122

This annex lists the patent family members relating to the patent documents cited in the above-mentioned international search report. The members are as contained in the European Patent Office EDP file on 19/10/88. The European Patent Office is in no way liable for these particulars which are merely given for the purpose of information.

Patent document cited in search report	Publication date	Patent family member(s)	Publication date
GB-A- 2163988	12-03-86	None	
GB-A- 1473646	18-05-77	None	
US-A- 4158914	26-06-79	CA-A- 1090110	25-11-80
DE-B- 1272169		None	
US-A- 2557553		None	
US-A- 2591740		None	