

(19) World Intellectual Property Organization
International Bureau



(43) International Publication Date
3 January 2003 (03.01.2003)

PCT

(10) International Publication Number
WO 03/000026 A3

(51) International Patent Classification⁷: B04B 7/08

26 W. Poplar Avenue, San Mateo, CA 94402-1150 (US).
EIBE, Paul; Apt. 81, 38627 Cherry Lane, Fremont, CA
94536-4239 (US).

(21) International Application Number: PCT/US02/22269

(22) International Filing Date: 25 June 2002 (25.06.2002)

(74) Agents: HAYNES, Mark, A.; Haynes Beffel & Wolfeld
LLP, P.O. Box 366, Half Moon Bay, CA 94019 et al. (US).

(25) Filing Language: English

(26) Publication Language: English

(30) Priority Data:
60/300,873 25 June 2001 (25.06.2001) US
60/374,141 19 April 2002 (19.04.2002) US
10/179,920 24 June 2002 (24.06.2002) US

(81) Designated States (*national*): AE, AG, AL, AM, AT, AU,
AZ, BA, BB, BG, BR, BY, BZ, CA, CH, CN, CO, CR, CU,
CZ, DE, DK, DM, DZ, EC, EE, ES, FI, GB, GD, GE, GH,
GM, HR, HU, ID, IL, IN, IS, JP, KE, KG, KP, KR, KZ, LC,
LK, LR, LS, LT, LU, LV, MA, MD, MG, MK, MN, MW,
MX, MZ, NO, NZ, OM, PH, PL, PT, RO, RU, SD, SE, SG,
SI, SK, SL, TJ, TM, TN, TR, TT, TZ, UA, UG, UZ, VN,
YU, ZA, ZM, ZW.

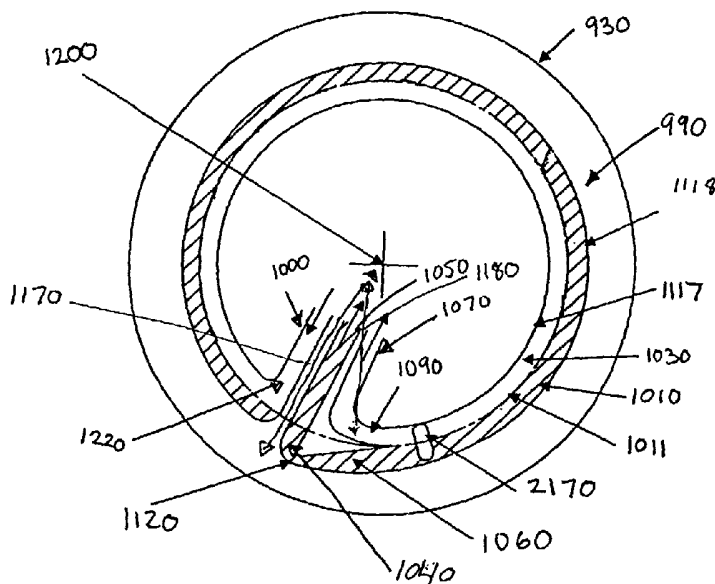
(71) Applicant: MISSION MEDICAL, INC. [US/US]; 5670
Stewart Avenue, Fremont, CA 94538 (US).

(84) Designated States (*regional*): ARIPO patent (GH, GM,
KE, LS, MW, MZ, SD, SL, SZ, TZ, UG, ZM, ZW),
Eurasian patent (AM, AZ, BY, KG, KZ, MD, RU, TJ, TM),
European patent (AT, BE, CH, CY, DE, DK, ES, FI, FR,
GB, GR, IE, IT, LU, MC, NL, PT, SE, TR), OAPI patent
(BF, BJ, CF, CG, CI, CM, GA, GN, GQ, GW, ML, MR,
NE, SN, TD, TG).

(72) Inventors: ROBINSON, Thomas, Charles; 828 Al-
varado, San Francisco, CA 94114 (US). ROBINSON,
Thomas, P.; 325 Avenida de los Claveles, Encinitas, CA
92024 (US). SAHINES, Thomas, P.; 2020 Wellington
Drive, Milpitas, CA 95035-7510 (US). D'ELIA, Richard;

[Continued on next page]

(54) Title: INTEGRATED AUTOMATIC BLOOD COLLECTION AND PROCESSING UNIT



(57) Abstract: A system for automatically collecting and separating whole blood into its components is described. The system includes a console (100), which contains all motors, pumps, sensors, valves and control circuitry, and a unique disposable set (480) that includes a cassette (490) supporting a centrifuge (515) with an improved design, pump interfaces with an improved design, component and solution bags (570), and tubing (550). Various processes are implemented using a specific disposable set for each process which allows automatic identification of the process to be performed by the console.



WO 03/000026 A3



Published:

— *with international search report*

For two-letter codes and other abbreviations, refer to the "Guidance Notes on Codes and Abbreviations" appearing at the beginning of each regular issue of the PCT Gazette.

(88) Date of publication of the international search report:

27 March 2003

INTERNATIONAL SEARCH REPORT

International application No.

PCT/US02/22269

A. CLASSIFICATION OF SUBJECT MATTER

IPC(7) : B04B 7/08
 US CL : 210/782; 494/37, 41, 45

According to International Patent Classification (IPC) or to both national classification and IPC

B. FIELDS SEARCHED

Minimum documentation searched (classification system followed by classification symbols)
 U.S. : 210/781, 782, 787; 494/10, 18, 37, 41, 43, 45, 56; 422/72

Documentation searched other than minimum documentation to the extent that such documents are included in the fields searched
 NONE

Electronic data base consulted during the international search (name of data base and, where practicable, search terms used)
 NONE

C. DOCUMENTS CONSIDERED TO BE RELEVANT

Category *	Citation of document, with indication, where appropriate, of the relevant passages	Relevant to claim No.
X	US 4,447,221 A (MULZET) 08 May 1984 (08.05.1984), see Figs. 1-3.	1, 2, 4, 6, 7, 13, 76
X	US 4,647,279 A (MULZET et al.) 03 March 1987 (03.03.1987), see Figs. 1-2.	1, 2, 6, 7
A	US 4,419,089 A (KOLOBOW et al.) 06 December 1983 (06.12.1983), see Figs. 1-7.	1-79
A	US 5,904,645 A (HLAVINKA) 18 May 1999 (18.05.1999), see Figs. 1-5.	1-79

Further documents are listed in the continuation of Box C.

See patent family annex.

* Special categories of cited documents:		
"A" document defining the general state of the art which is not considered to be of particular relevance	"T"	later document published after the international filing date or priority date and not in conflict with the application but cited to understand the principle or theory underlying the invention
"E" earlier application or patent published on or after the international filing date	"X"	document of particular relevance; the claimed invention cannot be considered novel or cannot be considered to involve an inventive step when the document is taken alone
"L" document which may throw doubts on priority claim(s) or which is cited to establish the publication date of another citation or other special reason (as specified)	"Y"	document of particular relevance; the claimed invention cannot be considered to involve an inventive step when the document is combined with one or more other such documents, such combination being obvious to a person skilled in the art
"O" document referring to an oral disclosure, use, exhibition or other means		
"P" document published prior to the international filing date but later than the priority date claimed	"&"	document member of the same patent family

Date of the actual completion of the international search
 21 October 2002 (21.10.2002)

Date of mailing of the international search report
03 JAN 2003

Name and mailing address of the ISA/US
 Commissioner of Patents and Trademarks
 Box PCT
 Washington, D.C. 20231
 Facsimile No. (703)305-3230

Authorized officer
 Charles E. Cooley
 Telephone No. (703) 308-0651

Jean-François
 Parole... 