



US00D788973S

(12) **United States Design Patent**
DeJule

(10) **Patent No.:** **US D788,973 S**

(45) **Date of Patent:** **** Jun. 6, 2017**

(54) **TASK LAMP**

(71) Applicant: **Aaron DeJule**, River Forest, IL (US)

(72) Inventor: **Aaron DeJule**, River Forest, IL (US)

(**) Term: **15 Years**

(21) Appl. No.: **29/542,197**

(22) Filed: **Oct. 12, 2015**

(51) **LOC (10) Cl.** **26-03**

(52) **U.S. Cl.**

USPC **D26/107**

(58) **Field of Classification Search**

USPC D26/24, 93, 106, 107

CPC .. F21S 6/00; F21S 6/002; F21V 21/00; F21V

21/02; F21V 23/04; F21W 2121/00;

F21W 2131/20; F21W 2131/30

See application file for complete search history.

(56) **References Cited**

U.S. PATENT DOCUMENTS

D179,694 S * 2/1957 Moss D26/107

D247,638 S * 3/1978 Kreuzler D26/107

D325,997 S * 5/1992 Dieperink D26/107

D349,582 S * 8/1994 Bain D26/107

D351,679 S * 10/1994 Chen D26/107

D515,235 S * 2/2006 Opolka D26/107

D608,046 S * 1/2010 Chien D26/107

* cited by examiner

Primary Examiner — Brian N Vinson

(74) *Attorney, Agent, or Firm* — Wood, Phillips, Katz,
Clark & Mortimer

(57) **CLAIM**

The ornamental design for a task lamp, as shown and described.

DESCRIPTION

FIG. 1 is a side, top, and rear perspective view of a task lamp showing my new design;

FIG. 2 is a top plan view thereof;

FIG. 3 is a front elevation view thereof;

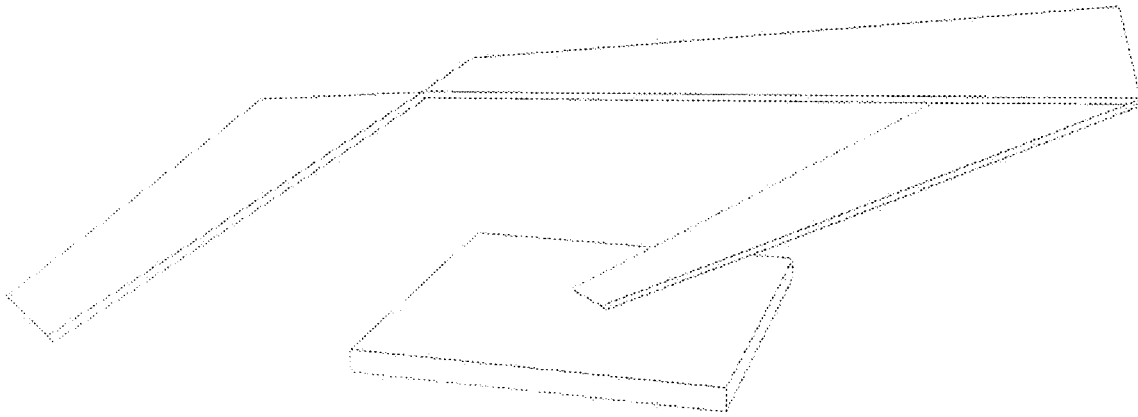
FIG. 4 is an elevation view thereof from the same side as in FIG. 1;

FIG. 5 is a bottom view thereof;

FIG. 6 is a rear elevation view; and,

FIG. 7 is an elevation view thereof from the side opposite that in FIG. 4.

1 Claim, 7 Drawing Sheets



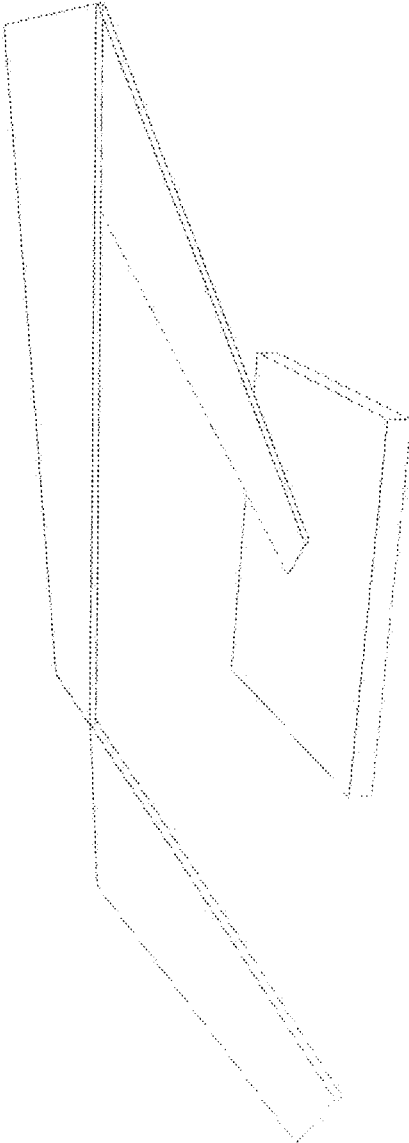


FIG 1

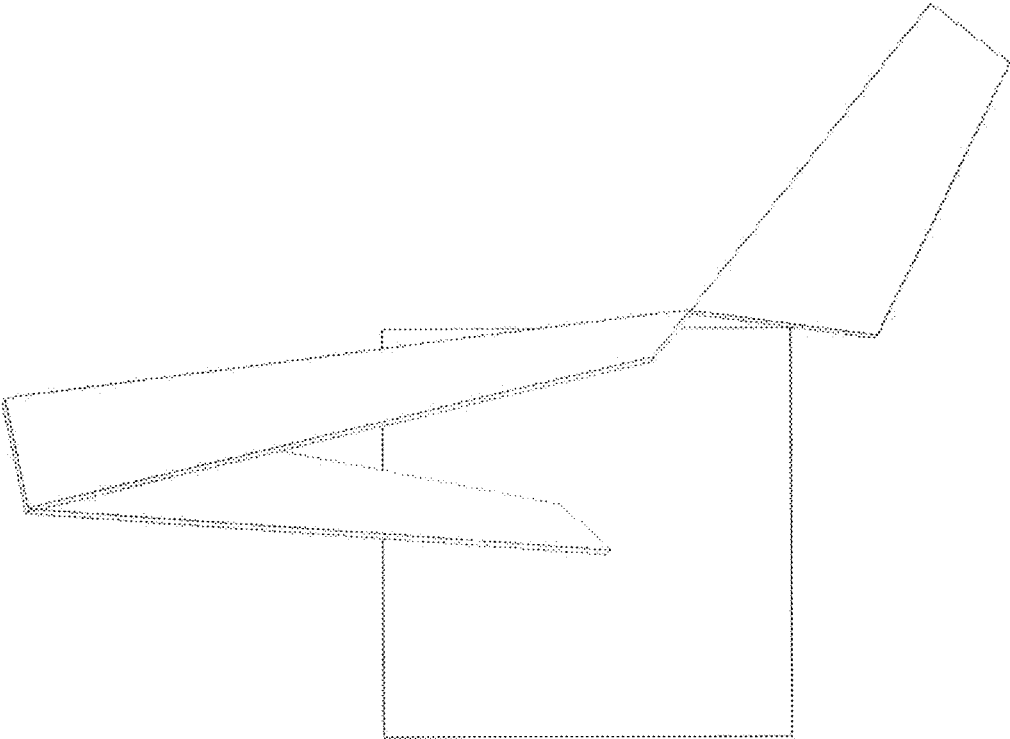
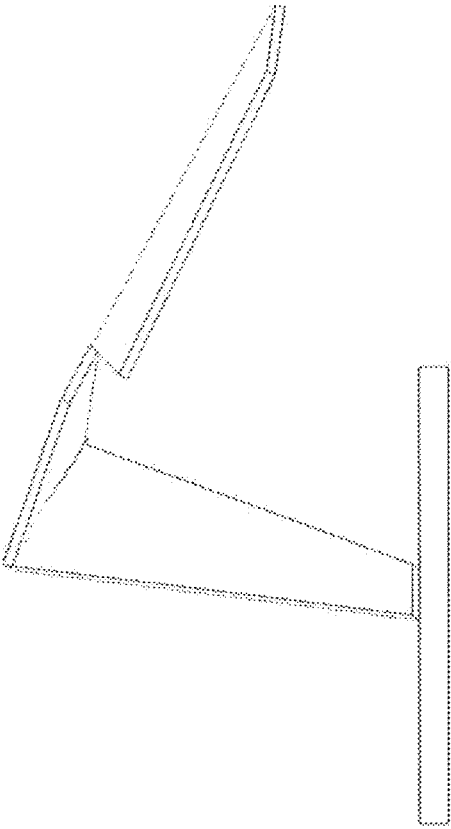


FIG 2

FIG 3



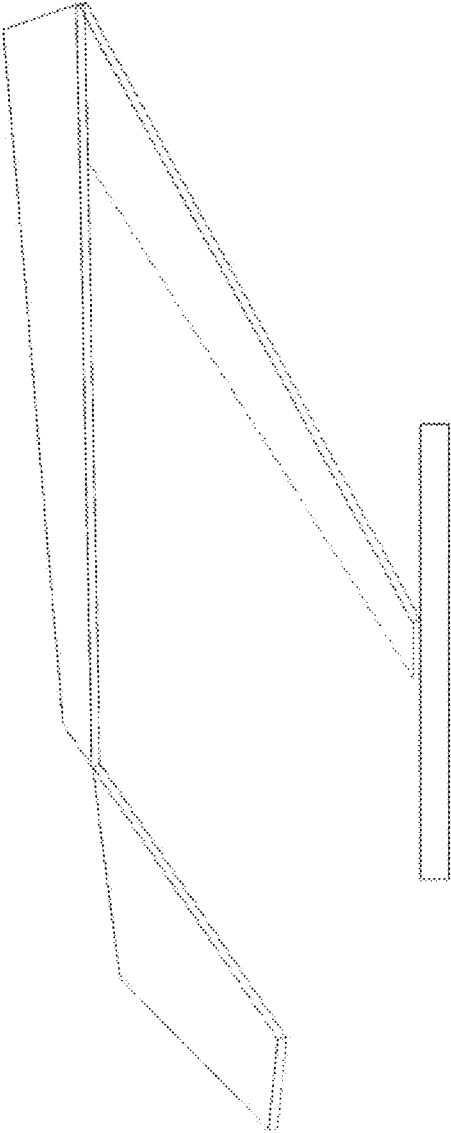


FIG 4

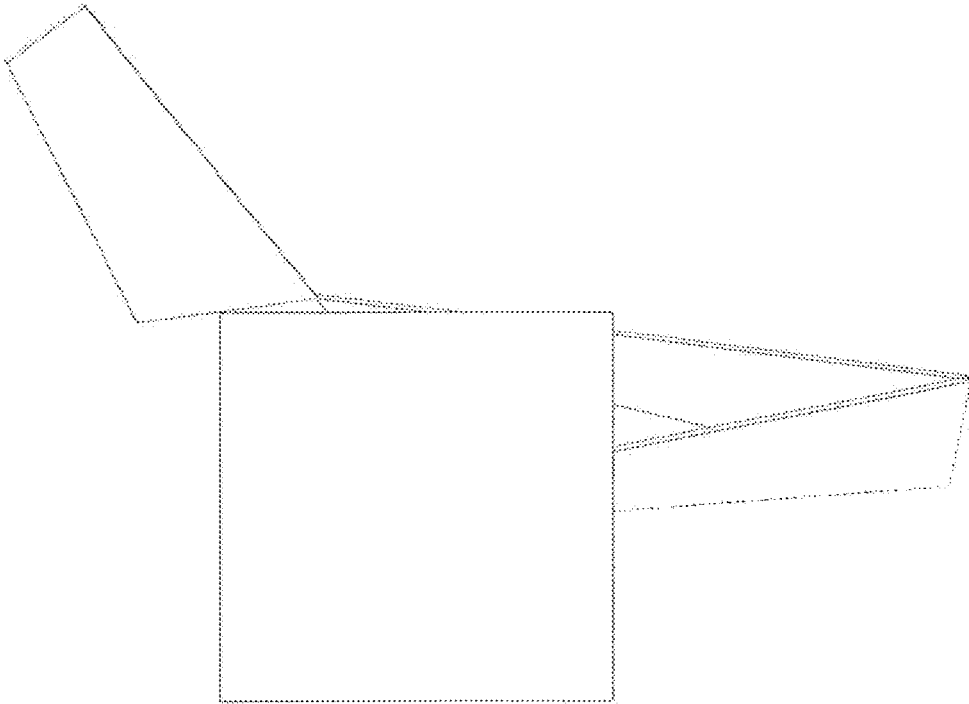
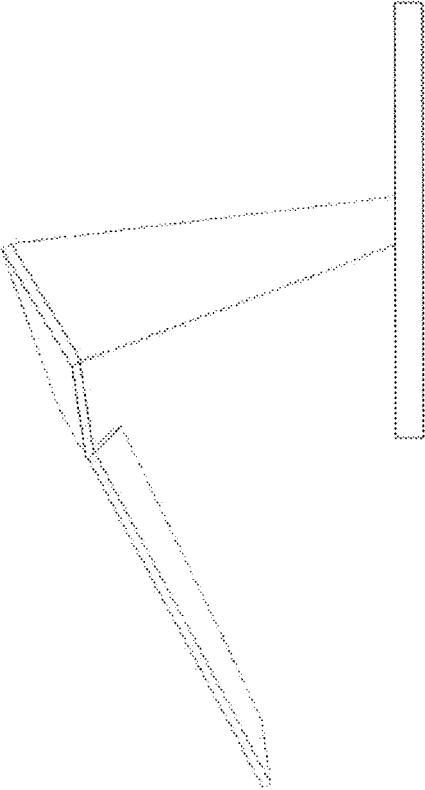


FIG 5

FIG 6



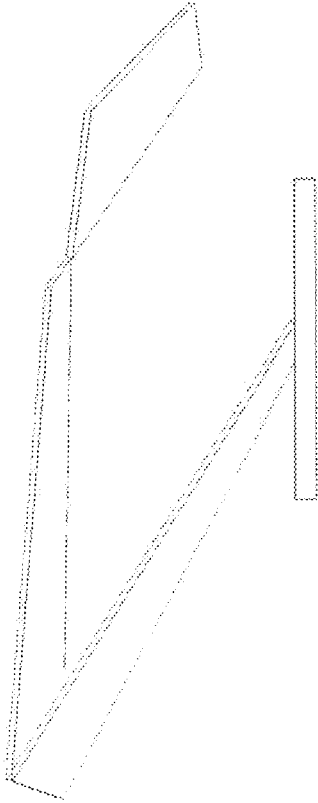


FIG 7