



US00D770622S

(12) **United States Design Patent** (10) **Patent No.:** **US D770,622 S**  
**Matheny** (45) **Date of Patent:** **\*\* Nov. 1, 2016**

- (54) **NASAL SUPPORT DEVICE**
- (71) Applicant: **Matheny ENTERprises, LLC**, Plano, TX (US)
- (72) Inventor: **Keith E. Matheny**, Plano, TX (US)
- (73) Assignee: **Matheny ENTERprises, LLC**, Plano, TX (US)
- (\*\*) Term: **15 Years**
- (21) Appl. No.: **29/546,259**
- (22) Filed: **Nov. 20, 2015**

8,709,080 B2 *	4/2014	Marten	.....	A61B 17/0057
				623/9
8,740,929 B2 *	6/2014	Gopferich	.....	A61F 2/186
				424/425
D745,969 S *	12/2015	Matheny	.....	D24/155
2005/0203450 A1 *	9/2005	Shippert	.....	A61F 5/08
				602/7
2006/0142736 A1 *	6/2006	Hissink	.....	A61F 11/002
				604/540
2012/0071913 A1 *	3/2012	Tamez	.....	A61F 5/08
				606/199
2013/0338700 A1 *	12/2013	Matheny	.....	A61M 35/00
				606/199

\* cited by examiner

*Primary Examiner* — Charles Hanson  
(74) *Attorney, Agent, or Firm* — Conley Rose, P.C.;  
Rodney B. Carroll

**Related U.S. Application Data**

- (62) Division of application No. 29/432,554, filed on Sep. 17, 2012, now Pat. No. Des. 745,969.
- (51) **LOC (10) Cl.** ..... **24-02**
- (52) **U.S. Cl.**  
USPC ..... **D24/155**
- (58) **Field of Classification Search**  
USPC ..... D24/155–157  
CPC ..... A61F 5/08; A61F 2/186; A61F 11/002  
See application file for complete search history.

(57) **CLAIM**

The ornamental design of a nasal support device, substantially shown and described.

**DESCRIPTION**

FIG. 1 is a top perspective view of an embodiment of a nasal support device;  
FIG. 2 is a bottom perspective view thereof;  
FIG. 3 is a first side view thereof;  
FIG. 4 is a second side view thereof, wherein the second side view is opposed to the first side view;  
FIG. 5 is a third side view thereof;  
FIG. 6 is a fourth side view thereof, wherein the fourth side view is opposed to the third side view;  
FIG. 7 is a top view thereof; and,  
FIG. 8 is a bottom view thereof.

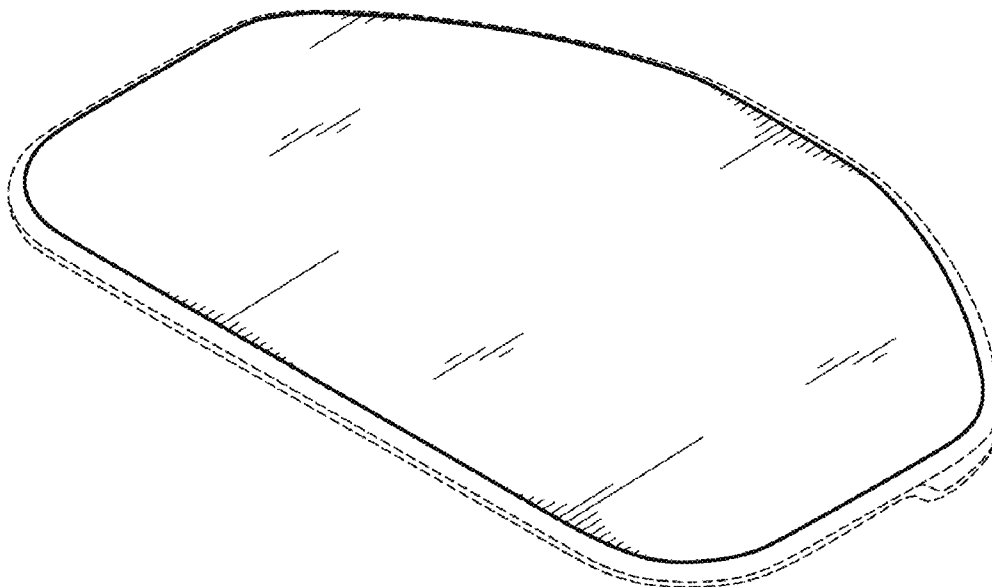
The broken line showing is included for the purpose of illustrating unclaimed subject matter and forms no part of the claimed design.

**1 Claim, 3 Drawing Sheets**

(56) **References Cited**

U.S. PATENT DOCUMENTS

5,601,594 A *	2/1997	Best	.....	A61F 5/08
				606/196
D468,826 S *	1/2003	Doyle	.....	D24/128
7,022,890 B2 *	4/2006	Sessions	.....	A61F 13/12
				602/46
8,585,753 B2 *	11/2013	Scanlon	.....	A61F 2/07
				623/1.42



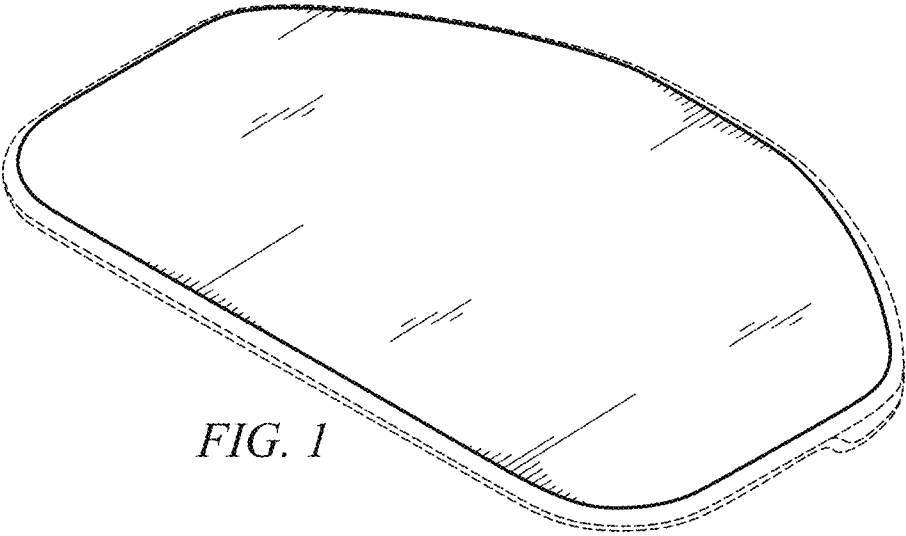


FIG. 1

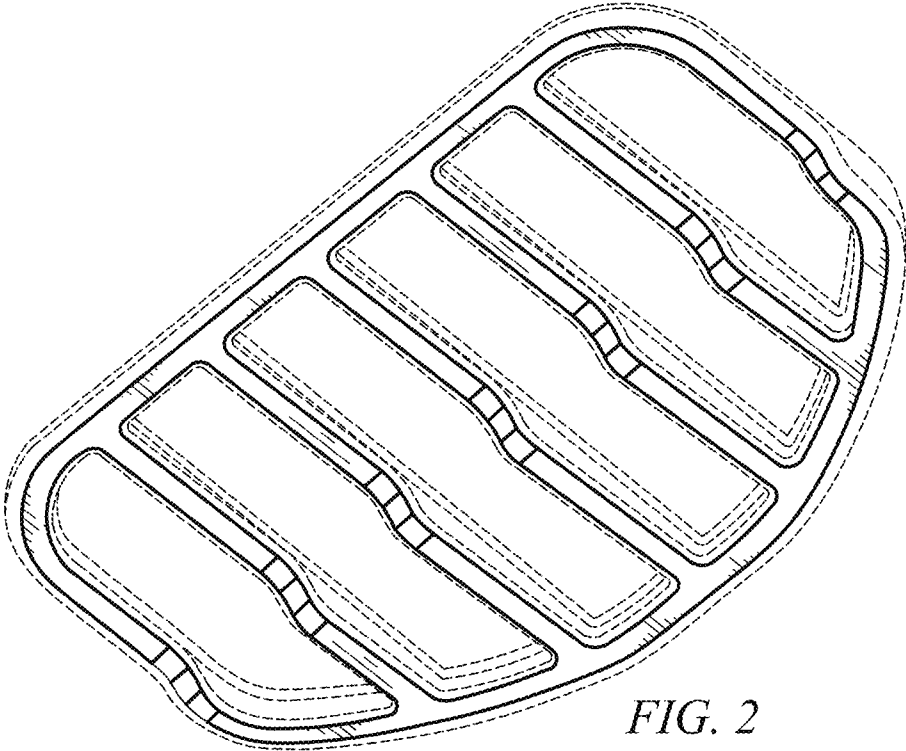


FIG. 2



FIG. 3

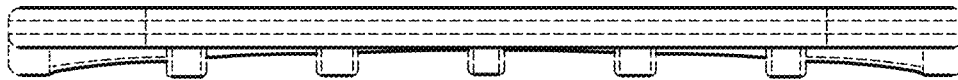


FIG. 4



FIG. 5



FIG. 6

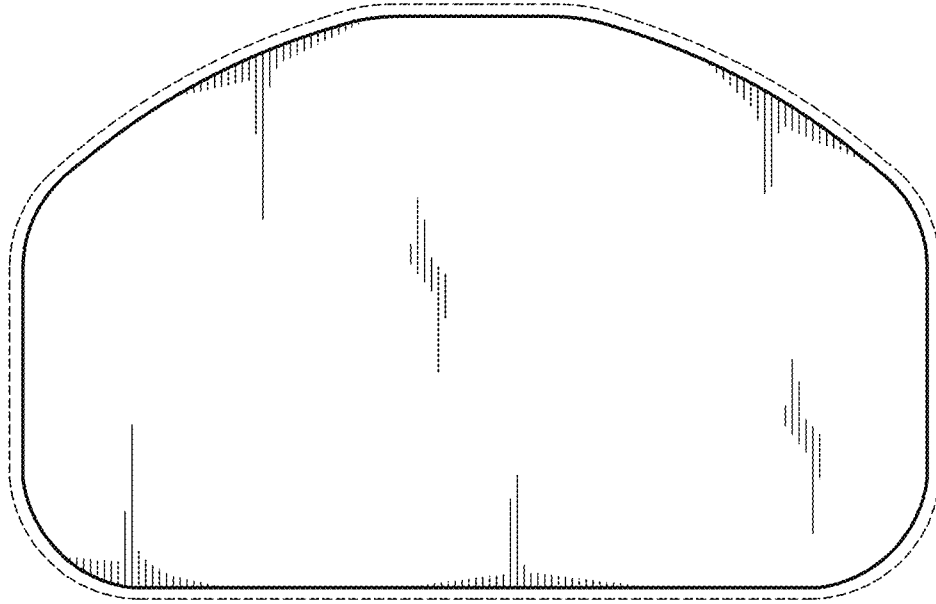


FIG. 7

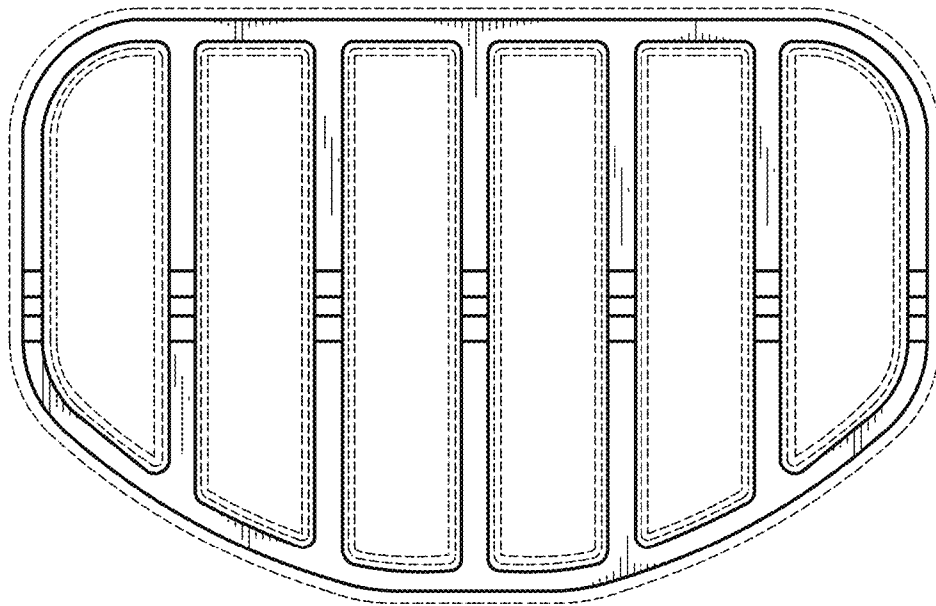


FIG. 8