

(19) World Intellectual Property  
Organization  
International Bureau



(43) International Publication Date  
11 March 2004 (11.03.2004)

PCT

(10) International Publication Number  
**WO 2004/020139 A1**

- (51) International Patent Classification<sup>7</sup>: **B23K 26/00**
- (21) International Application Number:  
PCT/US2003/027089
- (22) International Filing Date: 28 August 2003 (28.08.2003)
- (25) Filing Language: English
- (26) Publication Language: English
- (30) Priority Data:  
60/406,366 28 August 2002 (28.08.2002) US
- (71) Applicant (for all designated States except US): **THE P.O.M. GROUP** [US/US]; 2350 Pontiac Road, Auburn Hills, MI 48326 (US).
- (72) Inventor; and
- (75) Inventor/Applicant (for US only): **BAGAVATH-SINGH, Vijayavel** [IN/US]; 10 Village Circle, Apt.198, Rochester Hills, MI 48307-3960 (US).
- (74) Agents: **KRASS, Allen, M.** et al.; Gifford, Krass, Groh, Sprinkle, Patmore, Anderson & Citowski, P.C., 280 N Woodward Avenue, Suite 400, Birmingham, MI 48009 (US).
- (81) Designated States (national): AE, AG, AL, AM, AT, AU, AZ, BA, BB, BG, BR, BY, BZ, CA, CH, CN, CO, CR, CU, CZ, DE, DK, DM, DZ, EC, EE, ES, FI, GB, GD, GE, GH, GM, HR, HU, ID, IL, IN, IS, JP, KE, KG, KP, KR, KZ, LC, LK, LR, LS, LT, LU, LV, MA, MD, MG, MK, MN, MW, MX, MZ, NI, NO, NZ, OM, PG, PH, PL, PT, RO, RU, SC, SD, SE, SG, SK, SL, SY, TJ, TM, TN, TR, TT, TZ, UA, UG, US, UZ, VC, VN, YU, ZA, ZM, ZW.
- (84) Designated States (regional): ARIPO patent (GH, GM, KE, LS, MW, MZ, SD, SL, SZ, TZ, UG, ZM, ZW), Eurasian patent (AM, AZ, BY, KG, KZ, MD, RU, TJ, TM), European patent (AT, BE, BG, CH, CY, CZ, DE, DK, EE, ES, FI, FR, GB, GR, HU, IE, IT, LU, MC, NL, PT, RO, SE, SI, SK, TR), OAPI patent (BF, BJ, CF, CG, CI, CM, GA, GN, GQ, GW, ML, MR, NE, SN, TD, TG).
- Published:**  
— with international search report
- For two-letter codes and other abbreviations, refer to the "Guidance Notes on Codes and Abbreviations" appearing at the beginning of each regular issue of the PCT Gazette.*



**WO 2004/020139 A1**

(54) Title: PART-GEOMETRY INDEPENDANT REAL TIME CLOSED LOOP WELD POOL TEMPERATURE CONTROL SYSTEM FOR MULTI-LAYER DMD PROCESS

(57) Abstract: In a direct metal deposition system which builds up a metallic overlay on a substrate by moving the substrate relative to a laser in a metallic powder feed, the laser power is adjusted for successive layers by sensing the weld pool in a plurality of selected points in each layer and adjusting the power during successive layers to maintain a weld pool that corresponds to those achieved during deposition of a lower optimal layer. This compensates for heating of the substrate resulting from the deposition which tends to increase the pool size or temperature in the higher layers.

PART-GEOMETRY INDEPENDENT REAL TIME  
CLOSED LOOP WELD POOL TEMPERATURE  
CONTROL SYSTEM FOR MULTI-LAYER DMD PROCESS

RELATED APPLICATION

5           This application claims priority of U.S. Provisional Patent Application  
Serial No. 60/406,366 filed August 28, 2002, which is incorporated herein by  
reference.

FIELD OF THE INVENTION

10           This invention relates to the fabrication of metal parts by the direct  
metal deposition of a plurality of relatively thin layers on an underlying  
substrate, and more particularly to such a system which controls the deposition  
power used in forming a layer based on parameters generated during the  
formation of previous layers.

BACKGROUND OF THE INVENTION

15           Fabrication of three-dimensional metallic components via layer-by-  
layer laser cladding was first reported in 1978 by Breinan and Kear.  
U.S. Patent No. 4,323,756 issued to Brown et al. in 1982, describes a method  
for the production of bulk rapidly solidified metallic articles of near-net shape,  
finding particular utility in the fabrication of certain gas turbine engine  
20           components including discs and knife-edge air seals. According to the  
disclosure, multiple thin layers of feedstock are deposited using an energy  
beam to fuse each layer onto a substrate. The energy source employed may be

a laser or an electron beam. The feedstock employed in the practice of the invention may be either a wire or powder material, and this feedstock is applied to the substrate in such a fashion that it passes through the laser beam and fuses to the melted portion of the substrate.

5           These methods of direct metal deposition may make use of multi-axis, commercially available CNC machines for the fabrication of three-dimensional components. U.S. Patent No. 5,837,960 relates to a method and apparatus for forming articles from materials in particulate form. The materials are melted by a laser beam and deposited at points along a tool path to form an article of  
10 the desired shape and dimensions. Preferably the tool path and other parameters of the deposition process are established using computer-aided design and manufacturing techniques. A controller comprised of a digital computer directs movement of a deposition zone along the tool path and provides control signals to adjust apparatus functions, such as the speed at  
15 which a deposition head which delivers the laser beam and powder to the deposition zone moves along the tool path.

Most existing techniques, however, are based on open-loop processes requiring either a considerable amount of final machining to achieve a part of close dimensional tolerances. Continuous corrective measures during the  
20 manufacturing process are necessary to fabricate net shape functional parts with close tolerances and acceptable residual stress. A closed loop system which achieves these goals is described in U.S. Patent No. 6,122,564. This patent discloses a laser-aided, computer-controlled direct-metal deposition, or

DMD, system wherein successive layers of material are applied to a substrate so as to fabricate an object or to provide a cladding layer.

In contrast to previous methodologies, this DMD system is equipped with feedback monitoring to control the dimensions and overall geometry of the fabricated article in accordance with a computer-aided design (CAD) description. The deposition tool path is generated by a computer-aided manufacturing (CAM) system for CNC machining, with post-processing software for deposition, instead of software for removal as in conventional CNC machining. Such feedback controlled systems may totally eliminate intermediate machining and reduce final machining considerably.

U.S. Patent No. 6,518,541 discloses a direct metal deposition system employing a laser having an on/off duty cycle and means for controlling the process parameters through feedback to maintain the duty cycle within a desired range. U.S. Patent No. 6,459,951 relates to a DMD system employing feedback control of the system parameters to maintain a constant well pool as the deposition progresses on a particular layer.

These feedback control systems improve the precision of each layer of the multi-layer fabrication process but do not address the problem of layer-to-layer variations which result from heating of the substrate as the DMD process progresses.

### SUMMARY OF THE INVENTION

The present invention is directed toward a multi-layer deposition process which employs feedback control and an adaptive system to control the

laser power used during formation of a layer based on parameters sensed during the formation of previous layers.

During deposition, a certain percentage of the energy delivered by the laser is absorbed by the substrate, which increases substrate temperature. Repeated deposition leads to steady increase in the substrate temperature until it stabilizes at a particular value. At this point, the loss of heat from the substrate is at its maximum and hence further absorption of laser energy increases the weld pool temperature and size. The increase in the size of the weld pool deleteriously affects the deposition uniformity.

The present invention is directed toward an adaptive, closed loop system in which the weld pool size or temperature is sensed using a video image, or alternatively a pyrometer, and the sensed value is provided to a numerical processor which adjusts the process laser power for each layer. The adjustment algorithm operates to maintain the same pool size or temperature at a particular point in each layer as the size or temperature of that point in underlying layers.

In a preferred embodiment of the present invention, this laser power feedback mechanism is not employed during the deposition of the first layer overlying the substrate since the thermal conduction conditions and accordingly the pool temperature for that layer will differ substantially from those values for subsequently deposited layers. For the second layer, or a higher layer depending upon design parameters, a number of test point coordinates are selected along the layer surface. The number of test points

considered depends on the area of deposition, the part geometry, and the processing speed of the CPU running the algorithm. As the second layer or other chosen layer is deposited, the pool size or temperature for each test point is sensed and stored. This layer may be termed the "Golden Layer" since the values for the pool size or temperature measured at each test point during the deposition of this layer are considered the target values for the deposition parameters at corresponding test point coordinates in subsequently deposition layers.

In a preferred embodiment, the weld pool image is captured at different test points during deposition of the Golden Layer using CCD cameras and each test point's well pool size is determined by analysis of the images. The values stored for each test point are then categorized as low, medium or high points according to the difference between the individual pool sizes. A two-dimensional "Range Matrix" is then created for the values at each test point using the difference between the high and the low points image size. Next, without changing the laser power, the next layer is deposited and test point weld pool images are captured. The image size matrix for this layer is calculated and compared with the matrix for the previous layer to calculate a "Layer Weight" matrix. Next, that layer's image size matrix is compared to the Golden Layer image size matrix and the difference calculated. The difference in size is used with the Range matrix and corresponding weight value selected from the layer weight matrix for each test point and a layer correction test point weight matrix is established. By applying that matrix to the Golden Layer laser

power, a new laser power value is calculated for the next deposition layer. This process is repeated for each subsequent layer.

As a result of this process, the pool size for a particular X-Y point on a layer is controlled to best approximate the pool size for that point on the Golden Layer.

Other objects, advantages and applications will be made apparent by the following detailed description of a preferred embodiment of the invention. The description makes reference to accompanying drawings in which:

#### BRIEF DESCRIPTION OF THE DRAWINGS

Figure 1 is a schematic diagram of a direct metal deposition system for the practice of the present invention;

Figure 2 is a view of a typical part which may be formed by the method and apparatus of the present invention;

Figure 3 is a flowchart of a preferred method of operation of the present invention; and

Figure 4 is a chart of the algorithms used in the preferred embodiment of the invention.

#### DETAILED DESCRIPTION OF THE PREFERRED EMBODIMENT OF THE INVENTION

A preferred embodiment of the invention, illustrated schematically in Figure 1, employs a head 10 consisting of a power laser and gas propelled metal powder dispenser to produce a weld pool 14 at a point on a substrate 12.

This apparatus is of the type employed in the prior art such as disclosed in U.S. Patent 6,122,564. Wire may be fed into the laser beam as an alternative to dispensing powder and an electron beam may be used as an alternative to the laser beam. The terms "laser" and "powder" as used hereinafter should be  
5 considered to include these alternatives.

The substrate 12 is moved relative to the head 10 by a CNC controller 16 over a programmed path so that the weld pool follows the path along the substrate so as to create a metallic layer on the substrate. A pair of CCD cameras 18 and 20 are supported on the machine worktable so as to generate  
10 images of the weld pool 14 from two opposed sides. This is necessary in case the weld pool is formed in such a way as to block the view from one of the cameras.

In alternative embodiments of the invention, rather than imaging the weld pool to determine its size, the weld pool temperature could be measured  
15 by one or more pyrometers. The weld pool size and temperature are closely related to one another.

The outputs of the cameras 18 and 20 are provided to a video processing card 22 which uses video processing software 24 to perform the operations which will be hereinafter described. An interface driver 26 couples  
20 the video processing software 24 to the CNC software 28 which provides drive signals to the CNC controller 16 and through line 30 sends a power control signal to the laser within the head 10.



Figure 2 illustrates a typical workpiece generally indicated at 32, which includes an underlying metallic substrate 34 with a DMD deposited section 36 formed by a plurality of layers on its upper surface. As the initial layers of the deposited volume 36 are formed, much of the thermal energy of the laser goes to heating the underlying metallic substrate 34. As the deposition continues, the substrate reaches a maximum temperature and thereafter additional laser power goes to melting the powdered metal in previously deposited areas. If constant laser power were applied to each area, the weld pool size would begin to grow as the substrate 34 heats up producing an irregular deposition pattern. The present invention compensates for this phenomenon.

The broad method of the present invention is to choose initial laser power based on conventional empirical considerations and deposit at least the first two layers of the section 36. No measurements are made of pool size during deposition of the first layer because its contact with the substrate 34 creates thermal properties that are unlike any of those encountered in the deposition of subsequent layers. During the deposition of the second layer (or alternatively a higher layer, such as the third layer, depending upon the metallurgy of the substrate 34 in the deposited segment 36), measurements will be made of the weld pool size at selected coordinates as the deposition progresses. These values are stored in video processing software 24. Broadly, measurements will be made of the weld size at the same selected coordinates as successive layers are formed and the measurements of weld size at a particular layer will be processed in connection with the stored matrices representing the

weld sizes at previous layers to determine a suitable laser power for use in the deposition of the next layer. These power adjustments from layer to layer are broadly intended to compensate for effects of heating of the substrate on the weld pool size.

5           The weld pool image is the basic input for the control system and contains temperature information relating to the weld pool. Weld pool temperature information is extracted from the weld pool image by determining the image brightness level and its area and is called "weld pool size." By controlling the laser power, the weld pool size is controlled and hence the weld  
10 pool temperature, thus making a closed-loop feedback system. The system is made self-learning or adaptive by applying the previous layer image information to future layer laser power corrections.

Each selected coordinate of the deposition geometry of each layer is considered a separate Test Point. Each Test Point coordinate may have a  
15 different image size due to the geometry constraints. Weld pool image size for a point on a flat surface may be different from a point on an inclined surface. Also, even on a flat surface, a weld pool image size for a compressed tool-path section will be different from an edge coordinate's weld pool image size. The adaptive closed-loop weld pool temperature control system design considers all  
20 of the above situations to make it robust.

Figure 3 illustrates the control flow of the preferred embodiment of the adaptive closed-loop weld pool temperature control system. At box 50 the operator enters initialization information. These include Test Point coordinates

on the part geometry. The number of Test Points considered depends on the area of deposition and processing speed of the CPU running the algorithm. On a relatively large, flat part, the Test Point coordinates can be fairly widely spaced while changes in the contour of the part require closer spacing of the  
5 coordinates.

MIN and MAX represent the coordinates of the beginning and ending Test Points. INC represents the increment between Test Points. KCON is a control system constant relating to the matrix values. PWR1 is the initial laser power.

10 Having chosen these initializing values, the first layer is deposited via inbox 52. This is the layer in direct contact with the substrate 34 and no pool size measurements are made during its deposition. Next, in box 54 the second layer is deposited and the weld pool image is calculated at the Test Point coordinates during this deposition. This layer is called the "Golden Layer"  
15 since the information collected during this layer is considered as the optimal solution to corresponding Test Point coordinates in future layers. The temperature of the substrate during the deposition of the Golden Layer is considered to be at its minimal when compared with the substrate temperature in future layers. So this layer is considered as the best deposition layer. The  
20 weld point image is captured at the different Test Points using the CCD cameras 18 and 20 and each point's weld pool size is determined by the video processing software 24.

Golden Layer Test Point weld pool image sizes are compared with each other and Test Points are categorized as LOW, MEDIUM or HIGH points according to the difference in individual size. This is done in boxes 54 and 56. At block 58 a RANGE matrix is created for layer one, the Golden Layer. The RANGE matrix is created for LOW, MEDIUM and HIGH points, using the difference between the high and low points image size. The LOW points RANGE matrix will have shorter value distribution when compared to HIGH points RANGE matrix distribution. Once the RANGE matrix is created, computation for the initial or Golden Layer computation is complete. The equations and algorithms used for this computation and the other computations are illustrated in Figure 4. Then the next layer is deposited without changing the laser power and Test Point weld pool images are captured. The weld pool size matrix is calculated as previously and this layer's image size matrix is compared with the previous layer image size matrix and  $wl_{2a}$  is calculated using the equation set forth in Figure 4. This is all illustrated in blocks 60 and 62 of Figure 3. Next, in block 64 the layer number two image size matrix is compared with a Golden Layer image size matrix and the difference is calculated. The difference in size is used with RANGE matrix and corresponding weight values selected from  $wl_{2a}$  for every Test Point and  $wt_{2p}$  is created using the equation for step three set forth in Figure 4. Finally, by applying  $wt_{2p}$  to the Golden Layer laser power  $pwr_1$ , a new laser power value is calculated. The new laser power is set at the laser generator 10 through an analog signal link. This is illustrated in block 66. The process of blocks 60,

62, 64 and 66 is repeated for subsequent layers until the last layer is complete and the part is completed.

It should be recognized that other specific equations could be used to achieve the broad goal as set forth herein and defined in the appended claims.

5 It should also be recognized that direct temperature measurements may be made to determine the weld pool temperature rather than the measurements based upon the weld pool size.

Having thus described my invention, I claim:

## CLAIMS

1           1.       A method of forming a metal section on a metal substrate by  
2       depositing a plurality of superimposed layers using a laser generating a heating  
3       beam and a powdered metal source operative to feed metal powder into the  
4       beam and moving the substrate relative to the beam under numerical control  
5       over a programmed path to provide an advancing melt pool, comprising:  
6       sensing parameters of the melt pool at a plurality of selected coordinates during  
7       the generation of a plurality of metallic layers, storing the sensed parameters of  
8       the pool at each of the selected coordinates, and processing the stored  
9       parameters to determine an appropriate laser power for use during the  
10      deposition of a subsequent layer.

1           2.       The method of claim 1 wherein processing the stored parameters  
2       comprises comparing a matrix of the sensed parameters stored during  
3       formation of the last layer deposited with the matrix of the sensed parameters  
4       of an earlier deposited layer to determine an appropriate laser power for use  
5       during the deposition of the next layer.

1           3.       The method of claim 2 wherein the earlier deposited layer  
2       constitutes the second layer deposited over the substrate.

1           4.       The method of claim 1 wherein the sensed parameters of the  
2       pool comprise the dimensions of the pool.

1           5.     The method of claim 1 wherein the sensed parameters of the  
2     pool comprise the optical intensity of the pool.

1           6.     The method of claim 1 wherein the sensed parameters of the  
2     pool comprise the dimensions of the pool and the optical intensity of the pool.

1           7.     The method of claim 1 wherein the sensed parameters of the  
2     melt pool comprise the temperature of the melt pool.

1           8.     A method of forming a metal section on a metal substrate by  
2     depositing a plurality of superimposed layers by using a power source  
3     generating a heating beam and a metal source operative to feed metal powder  
4     into the beam and moving the substrate relative to the beam over the section to  
5     provide an advancing melting pool, comprising sensing parameters of the melt  
6     pool at a plurality of selected coordinates during the generation of a plurality of  
7     metallic layers, storing the sensed parameters of the pool at each of the  
8     coordinates, and processing the stored parameters to determine an appropriate  
9     laser power for use during deposition of a subsequent layer.

1           9.     The method of claim 8 wherein the power source is a laser.

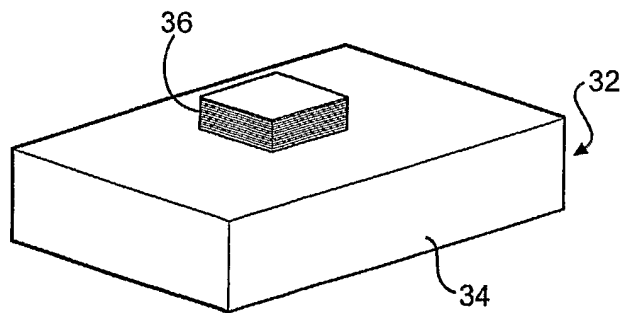
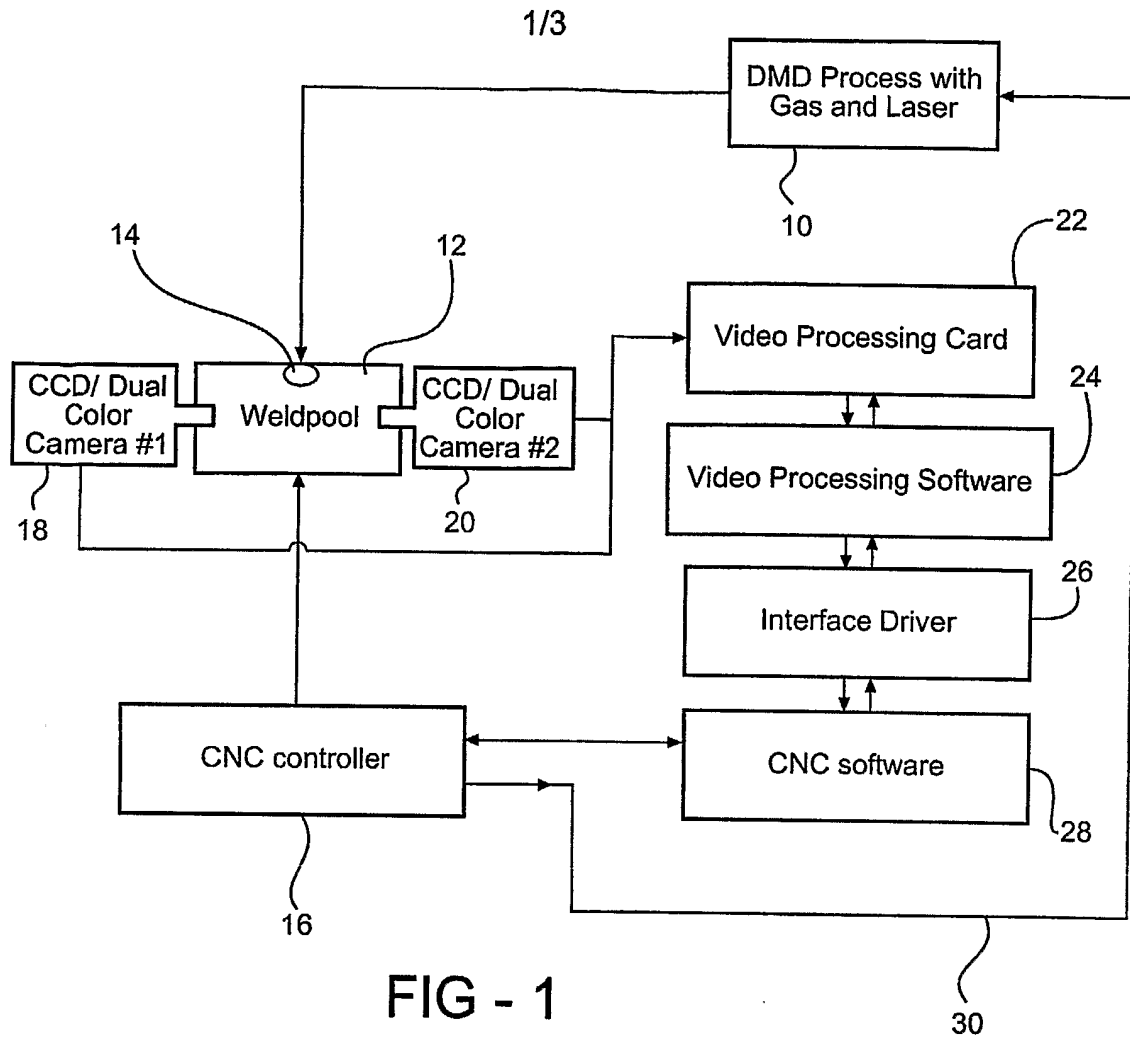
1           10.    The method of claim 8 wherein the power source is an electron  
2    beam.

1           11.    The method of claim 8 wherein the power beam level is  
2    maintained at a constant during generation of each layer.

1           12.    A method of forming a metal section on a metal substrate by  
2    depositing a plurality of superimposed layers using a heating beam and a  
3    powdered metal source operative to feed metal powder into the beam and  
4    moving the substrate relative to the beam under numerical control over a  
5    programmed path to provide an advancing melting pool, comprising:  
6            depositing a first layer in contact with the substrate using a first heating  
7    beam power;  
8            depositing a second layer over the first layer using the same heating  
9    beam power as used in the first layer and sensing parameters of the melt pool at  
10   a plurality of selected coordinates during the generation of said second layer;  
11           depositing a third layer using the same heating beam power as  
12   employed in the first two layers and sensing parameters of the melt pool at said  
13   selected coordinates during generation of the third layer; and  
14            using the stored parameters of the melt pool during generation of the  
15   second and third layers to determine an appropriate heating beam power for use  
16   during deposition of subsequent layers.

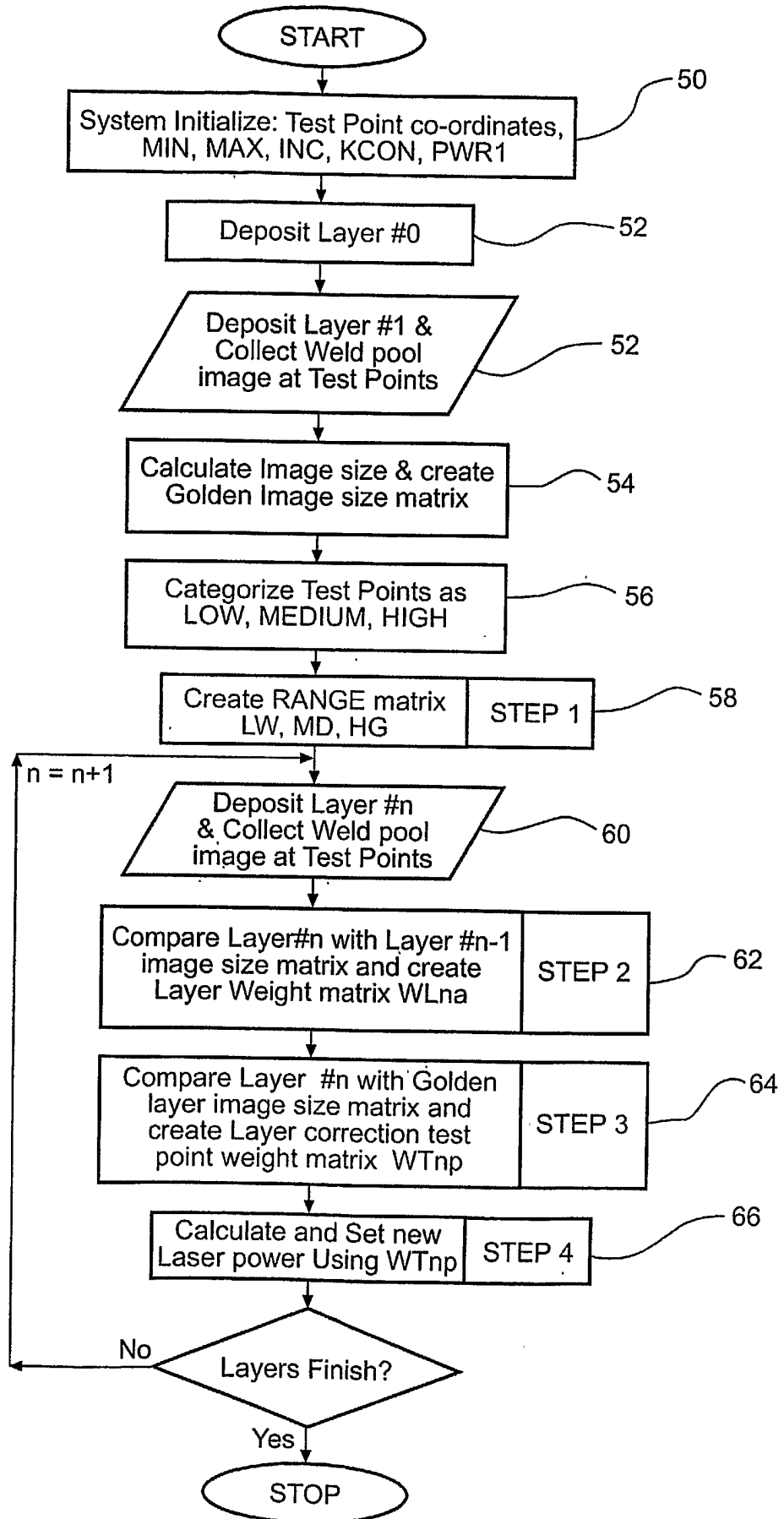


1           13.    The method of claim 12 where as each subsequent layer is  
2 deposited, the parameters of the melt pool are sensed at said plurality of  
3 selected coordinates and are used, along with previously stored sensed  
4 parameters, to determine the heating beam power for subsequent layers.



**FIG - 2**

FIG - 3



$LY_n$	LY is the deposition LAYER
$TP_{np}$	TP is the Test point co-ordinates
$IM_{np}$	IM is the Weld pool image size
$LW_a$	Low Range matrix
$MD_a$	Medium Range matrix
$HG_a$	High Range matrix
$WL_{na}$	Layer weight matrix
$WT_{np}$	Layer correction test point weight matrix
$PWR_n$	Laser Power

n: Layer number, where  $n = 2$  to  $m$ ; 'm' is last layer of deposition;  
 p: Test point co-ordinate number, where  $p = 1$  to  $q$ ; 'q' is the last test point co-ordinate  
 a: Element number of the Range and Layer Weight matrix, where  $a = 2$  to  $b$ ; 'b' is the last element  
 H: Biggest Golden layer test point image size  
 L: Smallest Golden layer test point image size  
 PWR<sub>1</sub>: Golden Layer Laser Power  
 $LY_1$  = Golden layer,  $LY_0$  = Base metal contact deposition layer  
 $LW_1 = MD_1 = HG_1 = WL_{n1} = 1$   
 MIN, MAX, INC, KCON, LCON, MCON, HCON are Control system constants

**STEP1: CREATING RANGE MATRIX (GOLDEN LAYER DATA PROCESSING)**

$$LW_a = LW_{(a-1)} + (H-L) / LCON$$

$$MD_a = MD_{(a-1)} + (H-L) / MCON$$

$$HG_a = HG_{(a-1)} + (H-L) / HCON$$

$$(H - L) > LCON > MCON > HCON$$

**STEP2: CREATING LAYER WEIGHT MATRIX (BY USING PREVIOUS LAYER TEST POINT IMAGE SIZE)**

$$WL_{na} = WL_{n(a-1)} - INC - \left( \left[ \sum_{p=1 \text{ to } q} (IM_{np} - IM_{(n-1)p}) \right] / q \right) \cdot KCON$$

If  $WL_{na}$  is less than MIN, set  $[WL_{na} = MIN]$

**STEP3: CREATING LAYER CORRECTION TEST POINT WEIGHT MATRIX (USING GOLDEN LAYER TEST POINT IMAGE SIZE)**

$$WT_{np} = WL_{na}$$

Selection of index 'a' of  $WL_{na}$ : If the test point coordinate 'p' in  $WT_{np}$  is LOW / MEDIUM / HIGH test point, search for the nearest equivalent of  $(IM_{np} - IM_{1p})$  value in LW / MD / HG. Take the corresponding 'a' index number from LW / MD / HG. In cases where the  $(IM_{np} - IM_{1p})$  value is greater than all entries in LW / MD / HG,  $[WT_{np} = MIN]$  and if  $(IM_{np} - IM_{1p})$  value is less than all entries in LW / MD / HG,  $[WT_{np} = MAX]$ .

**STEP4: CALCULATING NEW LASER POWER FOR THE NEXT LAYER**

$$PWR_{n+1} = PWR_1 \cdot \left( \left[ \sum_{p=1 \text{ to } q} (WT_{np}) \right] / q \right)$$

FIG - 4

# INTERNATIONAL SEARCH REPORT

International application No.

PCT/US03/27089

## A. CLASSIFICATION OF SUBJECT MATTER

IPC(7) : B23K 26/00  
 US CL : 219/121.6

According to International Patent Classification (IPC) or to both national classification and IPC

## B. FIELDS SEARCHED

Minimum documentation searched (classification system followed by classification symbols)

U.S. : 219/121.6, 121.61, 121.63, 121.64, 121.65, 121.66, 121.85

Documentation searched other than minimum documentation to the extent that such documents are included in the fields searched

Electronic data base consulted during the international search (name of data base and, where practicable, search terms used)

US OCR, US PAT, US PG, Derwent, JPO, EPO

## C. DOCUMENTS CONSIDERED TO BE RELEVANT

Category *	Citation of document, with indication, where appropriate, of the relevant passages	Relevant to claim No.
X	US 2002/0166896 A1 (MAZUMDER) 10 Januar 2002 (abstract, [30, 34-38, 40, 61-62, 68-77 ])	1-13
X	US 2002/0165634 A1 (SKSZEK) 3 April 2002 (abstract, [20-28])	1-13
X	US 6,122,564 A (KOCK et al.) 19 September 2000 (abstract, figures 2-3, col. 2 lines 36-50, col. 3 lines 29-67, col. 4 lines 1-67, col. 5 lines 1-33, col. 6 lines 22-38)	1-13
Y	US 6,504,127 A (MCGREGOR et al.) 31 October 2000 (abstract, col. 4 lines 15-50, col. 6 lines 23-67, col. 7 lines 10-33)	1-13
Y	US 5,453,329 A (EVERETT et al.) 26 September 1995 (abstract, col. 2 lines 15-56)	1-13
Y	US 5,155,321 A (GRUBE et al.) 13 October 1992 (abstract, col. 5 lines 60-68)	1-13
Y	US 6,329,635 A (LEONG et al.) 11 December 2001 A (abstract, figures, col. 3 lines 1-14, col. 5 lines 60-67)	1-13
Y	US 6,455,803 A (FIELDS, JR et al.) 3 May 2000 (abstract)	1-13
Y	US 5,837,960 A (LEWIS et al.) 17 November 1998 (abstract, col. 3 lines 24-36, col. 4 lines 21-50)	1-13

Further documents are listed in the continuation of Box C.  See patent family annex.

* Special categories of cited documents:		
"A" document defining the general state of the art which is not considered to be of particular relevance	"T"	later document published after the international filing date or priority date and not in conflict with the application but cited to understand the principle or theory underlying the invention
"E" earlier application or patent published on or after the international filing date	"X"	document of particular relevance; the claimed invention cannot be considered novel or cannot be considered to involve an inventive step when the document is taken alone
"L" document which may throw doubts on priority claim(s) or which is cited to establish the publication date of another citation or other special reason (as specified)	"Y"	document of particular relevance; the claimed invention cannot be considered to involve an inventive step when the document is combined with one or more other such documents, such combination being obvious to a person skilled in the art
"O" document referring to an oral disclosure, use, exhibition or other means		
"P" document published prior to the international filing date but later than the priority date claimed	"&"	document member of the same patent family

Date of the actual completion of the international search

08 December 2003 (08.12.2003)

Date of mailing of the international search report

24 DEC 2003

Name and mailing address of the ISA/US

Mail Stop PCT, Attn: ISA/US  
 Commissioner for Patents  
 P.O. Box 1450  
 Alexandria, Virginia 22313-1450

Facsimile No. (703)305-3230

Authorized officer

M. Alexandra Elve

Telephone No. 703-308-0661