



US00D798014S

(12) **United States Design Patent**  
**Kobasky**

(10) **Patent No.:** **US D798,014 S**

(45) **Date of Patent:** **\*\* Sep. 19, 2017**

- (54) **PAINT CAN DRIP EDGE CROWN**
- (71) Applicant: **Donald Kobasky**, St. Petersburg, FL (US)
- (72) Inventor: **Donald Kobasky**, St. Petersburg, FL (US)
- (\*\*) Term: **15 Years**
- (21) Appl. No.: **29/581,797**
- (22) Filed: **Oct. 21, 2016**

4,369,890	A *	1/1983	Bennett	.....	B44D 3/128
					220/287
4,907,714	A *	3/1990	Gatz	.....	B65D 25/48
					220/698
6,213,338	B1 *	4/2001	Cogdill	.....	B44D 3/128
					220/570
D457,700	S *	5/2002	Acord	.....	D32/54
D475,826	S *	6/2003	Mowe	.....	D32/54
D489,611	S *	5/2004	Monsanty	.....	D32/54
D620,662	S *	7/2010	Blanchard	.....	D32/54
D631,220	S *	1/2011	Knauf	.....	D32/54
D664,320	S *	7/2012	Sakko	.....	D32/54
9,145,025	B2 *	9/2015	Nazlian	.....	B44D 3/006
D771,341	S *	11/2016	Kobasky	.....	D32/54
9,527,338	B1 *	12/2016	Kalb	.....	B65D 25/20
9,630,446	B1 *	4/2017	Kobasky	.....	B44D 3/128

**Related U.S. Application Data**

- (63) Continuation-in-part of application No. 15/283,537, filed on Oct. 3, 2016, which is a continuation-in-part of application No. 14/947,151, filed on Nov. 20, 2015, now Pat. No. 9,630,446, and a continuation-in-part of application No. 29/540,413, filed on Sep. 24, 2015, now Pat. No. Des. 771,341.

- (51) **LOC (10) Cl.** ..... **07-07**
- (52) **U.S. Cl.**  
USPC ..... **D32/54**

- (58) **Field of Classification Search**  
USPC ..... D32/53-54; 220/904, 659, 669, 752, 220/753, 694; 15/260-264  
CPC ..... B65D 1/42; B65D 25/32; B65D 25/02; B44D 3/128; B44D 3/126; B44D 3/12; B65F 1/14; A47L 13/58  
See application file for complete search history.

(56) **References Cited**

**U.S. PATENT DOCUMENTS**

3,811,606	A *	5/1974	Higgins	.....	B44D 3/128
					222/570
3,894,650	A	7/1975	Crump		
4,312,459	A	1/1982	Leach		

\* cited by examiner

*Primary Examiner* — Robin V Webster

(74) *Attorney, Agent, or Firm* — Edward P. Dutkiewicz

(57) **CLAIM**

The ornamental design for a paint can drip edge crown, as shown and described.

**DESCRIPTION**

FIG. 1 is a front elevation view of the paint can drip edge crown showing my new design. The rear elevation view of the paint can drip edge crown is the same as the front elevation view;

FIG. 2 is a right side elevation view. The left side elevation view is the same as the right side elevation view;

FIG. 3 is the top plan view;

FIG. 4 is the bottom plan view of the paint can drip edge crown;

FIG. 5 is a top and side perspective view of my design; and, FIG. 6 is a bottom and side perspective view of the claimed design.

**1 Claim, 4 Drawing Sheets**

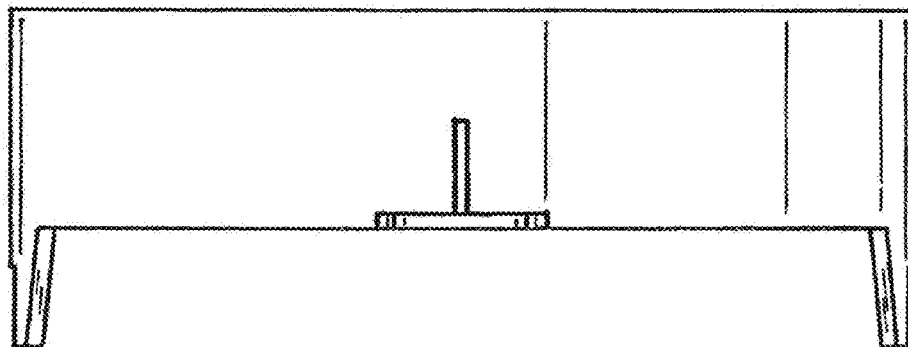


FIG. 1

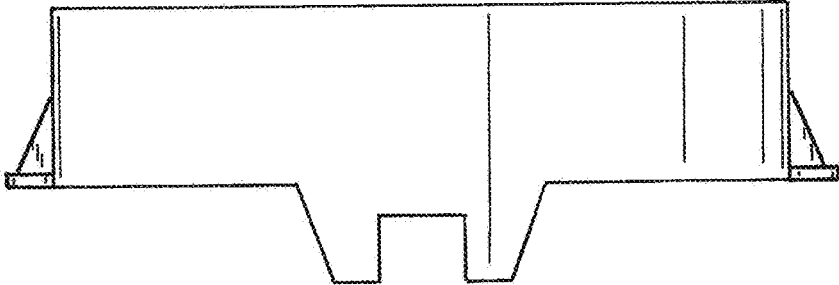
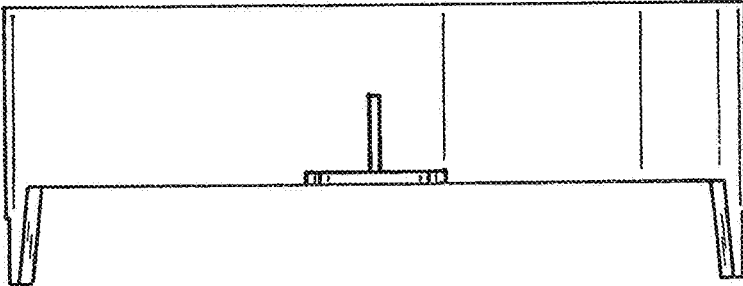


FIG. 2

FIG. 3

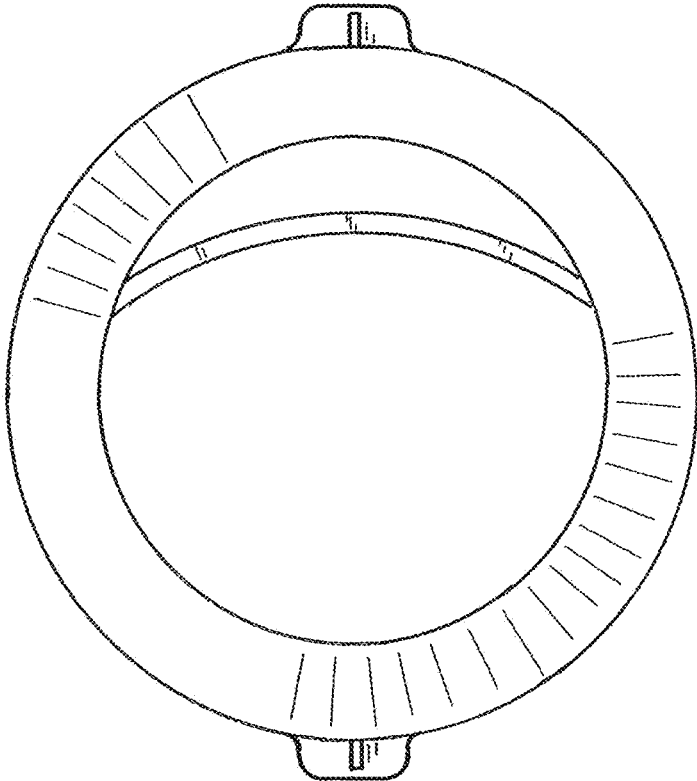
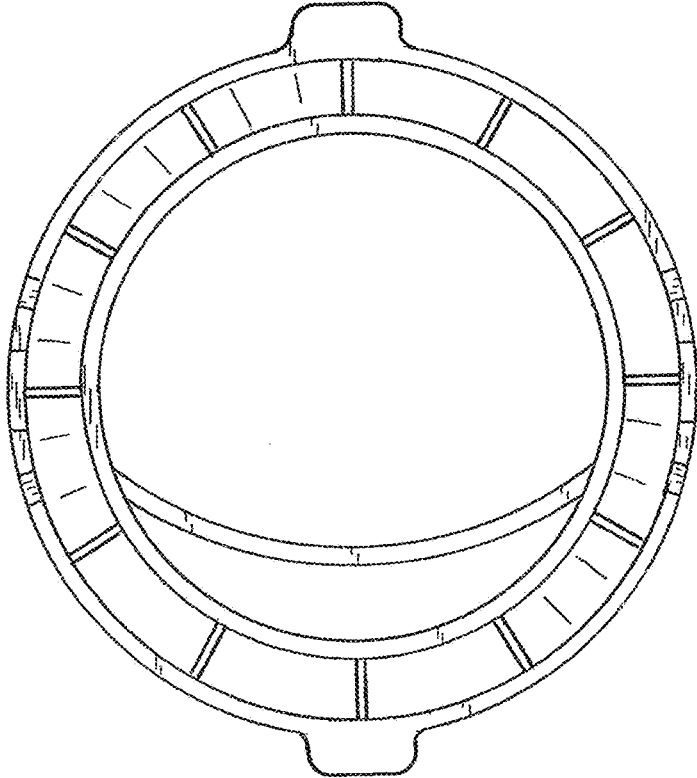


FIG. 4



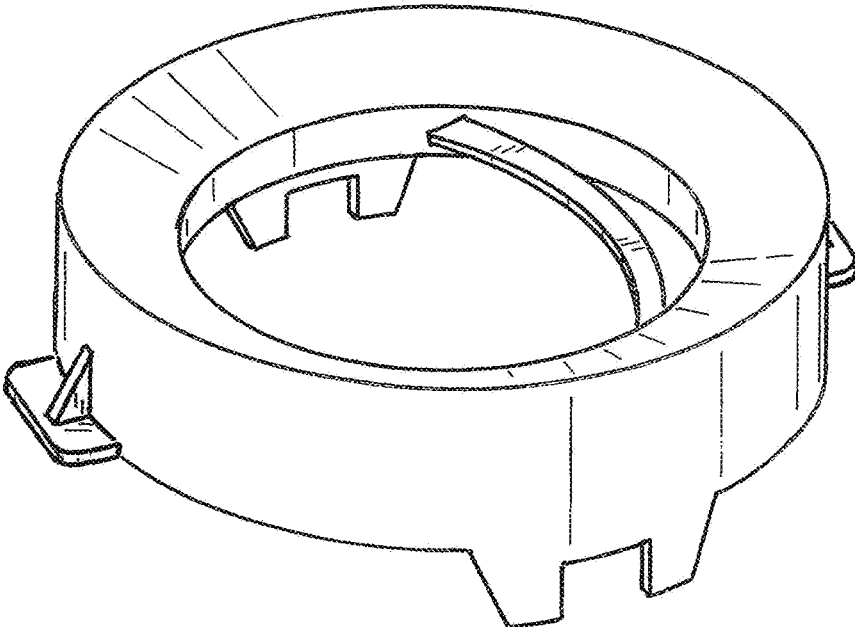


FIG. 5

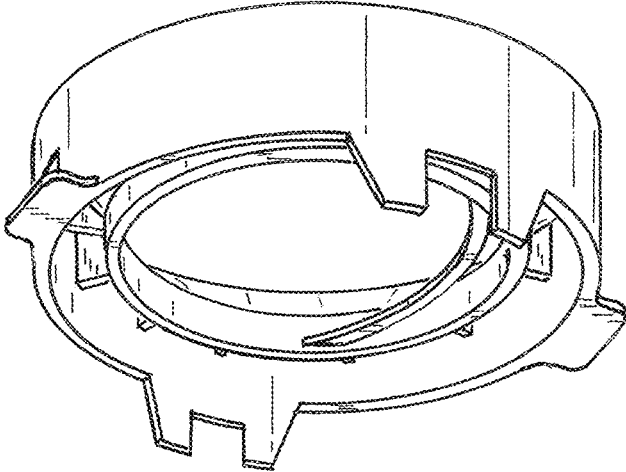


FIG. 6