



- (51) International Patent Classification:  
*A61L 9/12* (2006.01)
- (21) International Application Number:  
PCT/IB2012/053480
- (22) International Filing Date:  
6 July 2012 (06.07.2012)
- (25) Filing Language: English
- (26) Publication Language: English
- (72) Inventor; and
- (71) Applicant : **ÖZGEN, Selami** [TR/TR]; Marmara Sanayi Sitesi, İett Otobüs Garajı Yani, M Blok No:286 İkitelli, 34306 İstanbul (TR).
- (74) Agent: **SIMAJ PATENT LTD. ŞTİ.**; Tunus Cad. No:46 Kat:2, Kavaklıdere, 06680 Ankara (TR).
- (81) Designated States (unless otherwise indicated, for every kind of national protection available): AE, AG, AL, AM, AO, AT, AU, AZ, BA, BB, BG, BH, BR, BW, BY, BZ, CA, CH, CL, CN, CO, CR, CU, CZ, DE, DK, DM, DO, DZ, EC, EE, EG, ES, FI, GB, GD, GE, GH, GM, GT, HN, HR, HU, ID, IL, IN, IS, JP, KE, KG, KM, KN, KP, KR, KZ, LA, LC, LK, LR, LS, LT, LU, LY, MA, MD, ME,

MG, MK, MN, MW, MX, MY, MZ, NA, NG, NI, NO, NZ, OM, PE, PG, PH, PL, PT, QA, RO, RS, RU, RW, SC, SD, SE, SG, SK, SL, SM, ST, SV, SY, TH, TJ, TM, TN, TR, TT, TZ, UA, UG, US, UZ, VC, VN, ZA, ZM, ZW.

- (84) Designated States (unless otherwise indicated, for every kind of regional protection available): ARIPO (BW, GH, GM, KE, LR, LS, MW, MZ, NA, RW, SD, SL, SZ, TZ, UG, ZM, ZW), Eurasian (AM, AZ, BY, KG, KZ, RU, TJ, TM), European (AL, AT, BE, BG, CH, CY, CZ, DE, DK, EE, ES, FI, FR, GB, GR, HR, HU, IE, IS, IT, LT, LU, LV, MC, MK, MT, NL, NO, PL, PT, RO, RS, SE, SI, SK, SM, TR), OAPI (BF, BJ, CF, CG, CI, CM, GA, GN, GQ, GW, ML, MR, NE, SN, TD, TG).

**Declarations under Rule 4.17:**

- as to the identity of the inventor (Rule 4.17(i))
- as to applicant's entitlement to apply for and be granted a patent (Rule 4.17(ii))
- of inventorship (Rule 4.17(iv))

**Published:**

- with international search report (Art. 21(3))

(54) Title: A SCENT APPARATUS

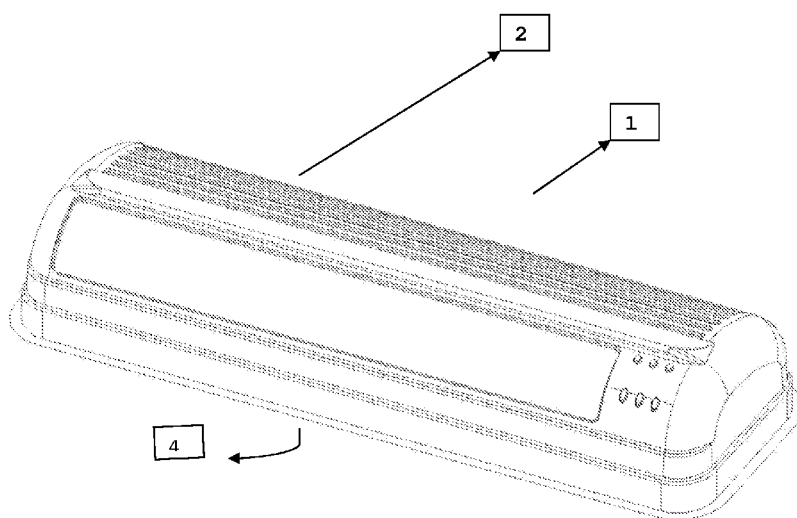


Fig. 1

(57) Abstract: Product subject to the invention, is a scent apparatus (1) which is filled with essence material such as gel, granule, aromatized impregnate cardboard, cellulosic material which is impregnated scent, etc. and can be attached to exterior surface of anemostat of split air conditioners used indoors by means of a clip to prevent undesired odors.



## Description

### Title of Invention: A SCENT APPARATUS

#### Technical Field

- [1] Invention subject to the application is related to a scent apparatus which used with the aim of absorbing undesired odors present in interior environment or spread from air conditioners and giving off a pleasant scent to the environment and which is attached to exterior surface of the anemostat of the split air conditioner unit and which is filled with material giving off scent in a form of gel or quasi material.

#### Disclosure of Invention

#### Technical Problem

#### Background Art and Technical Problem

- [2]
- [3] One of the most commonly encountered problems in the climate or air conditioner systems, used with the aim of adjustment of temperature of environment and medium which people reside and providing fresh air by dehumidifying extra humidity, is undesired odors formed as a result of not cleaning filters of the air conditioners in due time or wearing of filters in time.
- [4] Another cause of undesired odors is that the present odor in the environment is circulated by definition of its working principle. In order to eliminate undesired odors caused by such reasons and causing unhealthy life, odor filters or various products giving off odor are attached to air conditioning systems in our day.
- [5] In the state of prior art; air conditioner producers are including emitting scent functions to air conditioner systems with the aim of omitting fetid odors and achieves this by means of adding a scent apparatus attached to air conditioner interior unit. By this way, desired odor is provided to environment whilst fetid odors are removed from the environment.
- [6] Invention, which is the subject of the patent specification with number **DE 297 12 821.3**, relates to a solution regarding enhancement of ambient air by eliminating fetid odor taking place in environments with air conditioners. Characteristics of the solution which is the subject of the invention is that the invention consists a reservoir for perfume and odor materials, etc. Mentioned reservoir member is designed as self adhesive and as strips which are saturated with ether oil. As the diffusing speed will be fast in the course of emitting odor to the environment, mentioned product has a disadvantage of having a short life cycle. As can be seen from this patent specification, fetid odors caused by air conditioners is a topic of interest well known and being worked on for a long time for the solution.

- [7] Another example which is related to the use of odor tablets for the overcoming fetid odors spread from the air conditioners is present in the patent specification with number **TR 2007/08757**. In this invention, air conditioner interior unit contains an odor apparatus which a tablet spreading essence is present within. While air conditioner interior unit works, air is taken in from the gaps on the air intake grille with the suction of air conditioner fan and air is passed from the filters behind the grille. Air which is combined with the essence emitted from odor apparatus meantime is passed on the heat exchanger after passing from filter and is taken out from the blowers of the air conditioner. In this invention, requirement of placing odor apparatus to the back of the air intake grille of the air conditioner interior units causes a disadvantage of being not easy to be replaced by user. This odor apparatus, which is not practical from the point of users, also increases air conditioner cost.
- [8] Another disadvantage related to the invention which is the subject of the patent specification mentioned above is that the essence is combined with the air sucked by the air conditioner fan. In other words, essence material within the odor apparatus is subjected to the stale air flow. Therefore, extraneous materials carried by air is collected on essence material in time.
- [9] In the invention, which is another example and is the subject of the patent specification with number **JP 4015431**, odor tablet slot placed on a filter body and its cap which its proportion of opening changes with respect to the speed of air flow are present. As the air flow increases, cap on the tablet opens more and more essence is emitted to the interior environment. In this invention, with the reason of odor tablet being in the filter body, odor tablet is subjected to air flow directly and dust, humidity and bacteria emitting fetid odor are collected on the tablet in time. In addition, this odor apparatus cannot be practically replaced by the user since it is placed to the interior unit of the air conditioner.
- [10] Another patent specification present in the state of prior art is the patent specification with number **JP 4332322**. The product which is the subject of this invention is an odor emitting apparatus containing essence material and designed for air conditioners. Characteristics of this product is that the amount of essence desired to be emitted from the air conditioner can be adjusted by means of a control unit automatically. Volume of the essence remaining in the odor unit is continuously measured and wideness of the odor outlet opening is automatically adjusted according to the measurement with respect to essence amount to be emitted. As a result mentioned product is complicated and high priced.
- [11] Also, in the state of prior art; essence materials of this odor emitting products are small packages or boxes formed by a essence impregnated body. This kind of products generally consist aromatized gel or granules. With the diffusion of odor emitting

particles present in the products, disinfection of ambient air and emission of pleasant odor to environment are enabled. However, disadvantages of the present products is that the working life of these products are being short.

- [12] With the product which is the subject of the invention, it is aimed to solve disadvantages mentioned above and problems encountered with the products which are the subjects of the invention economically.

## **Solution to Problem**

### **Technical Solution**

- [13] ***Detailed Explanation of the Invention:***

- [14] Scent apparatus (1), which is the subject of the invention is an apparatus (1) filled with essence emitting material such as gel, granule, etc., is seen in Figure 1 and used by attaching to indoor split air conditioners.

- [15] Scent apparatus (1), can be easily be attached and detached to the air conditioner exterior surface of the anemostat (air blowers) by means of a clip.

- [16] Air given to outer environment from the air conditioner anemostat (air blowers) can be mixed with essence emitting material such as the gel, granule, aromatized impregnated cardboard, etc. by means of air gaps (3) located at the back surface of the essence apparatus (1) (Figure 2). Air passing through scent apparatus (1) can go out from the front surface air gaps (2) which are located at the front surface of the odor apparatus (1) and which enable essence to be extracted to environment.

- [17] One of the significant points of the invention is that the scent apparatus (1) can be placed directly to the part where clean air flow takes place. Essence material within the apparatus (1) does not contact with the stale air since the apparatus (1) is only subjected to clean air flow given out to the environment. By this way, accumulation of extraneous materials carried by air on essence material is prevented.

- [18] Another significant point of the invention is that the invention presents a solution to the problem of replacing practically by the user which is one of the disadvantages encountered with the products present in the state of prior art and mentioned above. The mentioned product can be attached to air conditioner outer surface by means of the clip it contains. By this way, user can interfere to scent apparatus (1) whenever desired.

- [19] Another feature of the invention is that the scent apparatus (1) has a folding reservoir (4). By this way, when the essence material is consumed or when desired to change with an essence material having a different scent, scent apparatus (1) can easily be opened by the user and the material within can easily be replaced. Practice of spare packages for such essence emitting materials, which are commonly used in our day, is preferred as it is economical from the perspective of users. This feature of the invention is another advantage provided to users.

- [20] As essence material within the apparatus (1) which the subject of the invention may contain essence emitting materials such as the gel, granule, aromatized impregnated cardboard, etc. as mentioned above; it can also contain essence materials formed of cellulosic material which has essence impregnated characteristics by means of pulverize spraying machine in another configuration of the invention. Final shape of the product consisting essence is obtained by cutting intermediate product awaited so that essence is applied and distributed homogeneously on product or shaping by means of molding. Mentioned essence material can be served to user readily within the air conditioner odor apparatus (1) or in spare packages. Operating time of air conditioner odor apparatus (1), which is the subject of the invention, is lengthened by means of product produced of cellulosic material having impregnate feature.
- [21] In another configuration of the invention, essence material within the scent apparatus (1) has disinfectant characteristics with the aim of disinfection of cleaned air. This disinfectant characteristics is provided by adding rosemary oil, lavender oil, oil of marjoram and spearmint oil to essence impregnated to material such as gel, granule, cardboard or cellulosic material having impregnate feature. There are known effects of mentioned essence oils against salmonella senftenberg bacteria which causes some kind of poisoning, escherichia coli bacteria which is a type of coli bacillus, staphylococcus which is named as opportunist bacteria and causes various sicknesses in humans, pseudomonas species seen in wounds and cuts aspergillus niger bacteria which is a type of fungus and causes sicknesses especially to children.
- [22] Any desired emblem, brand or logo can be printed on mentioned apparatus (1) product. The apparatus (1) which is produced of esthetic material of high quality is preferably in the shape of an air conditioner and fits to the environment it is used.
- [23] Life cycle of scent apparatus (1) in the shape of air conditioner which enables prevention of fetid odors changes between 90 and 120 days and this life cycle is changes dependently on the life cycle of air conditioner.
- [24] To summarize, the invention is a scent apparatus (1) developed with the aim of absorbing undesired odors, emitting pleasant scent to environment together with cleaned air and enabling disinfection of cleaned air and is characterized by; consisting at least one bottom (back) surface, at least one top (front) surface and side surfaces; at least one folding essence material reservoir (4) formed of interior part of three dimensional form created by mentioned bottom, top and side surfaces; at least one bottom (back) surface air gap (3) in the form of mentioned bottom (back) surface enabling the clean air which is to be given off to the environment to enter the apparatus (1) and reach the essence material; at least one top (front) surface air gap (2) in the form of mentioned top (front) surface enabling the clean air that contacted with the essence material to be given off to the environment; at least one clip preferably at the

bottom (back) surface of the apparatus (1) in order to be attached to the air conditioner anemostat (air blower). Essence material is contained within the mentioned reservoir (4). Mentioned essence material is one of gel, granule, aromatized impregnate cardboard, cellulosic material which is impregnated scent by means of pulverize spraying machine. Mentioned essence material can contain essence oils having disinfectant features. Mentioned essence oil which has disinfectant feature is one of the group of rosemary oil, lavender oil, oil of marjoram and spearmint oil or a mixture obtained by these. Air conditioner scent apparatus (1) is in preferably three dimensional split air conditioner form.

[25]

### **Advantageous Effects of Invention**

#### **Advantageous Effects**

[26]

As a result, an odor apparatus (1), which is practical to use, economical and with high quality, is provided to users. The most significant characteristics of the present invention in terms of health, in addition to being practical, is that the scent apparatus (1) is subjected to clean air and essence material within does not contact with the extraneous materials and also essence having disinfectant characteristics disinfects the air given off to environment.

### **Brief Description of Drawings**

#### **Description of Drawings**

[27]

**Figure 1:** Perspective view of the odor apparatus in the shape of air conditioner

[28]

**Figure 2:** Back surface view of the odor apparatus in the shape of air conditioner

[29]

1. **1.** Scent apparatus in the shape of air conditioner
1. **2.** Front surface air gaps
1. **3.** Back surface air gaps
1. **4.** Reservoir

## Claims

- [Claim 1] A scent apparatus (1) for air conditioners, developed for absorbing undesired odors, emitting pleasant scent to the environment together with clean air and enabling disinfection of clean air, is characterized by consisting of;
- at least one bottom (back) surface, at least one top (front) surface and side surfaces;
  - at least one folding essence material reservoir (4) formed of interior part of three dimensional form created by mentioned bottom, top and side surfaces;
  - essence material within the mentioned folding reservoir (4);
  - at least one bottom (back) surface air gap (3) on mentioned bottom (back) surface, enabling clean air that is to be given off to environment from the air conditioner, first enter to the scent apparatus (1) and reach the essence material;
  - at least one top (front) surface air gap (2) in the form of mentioned top (front) surface enabling the clean air which enters the scent apparatus (1) and contacts with the essence material to be emitted to the environment,
  - at least one clip preferably at the bottom (back) surface of the odor apparatus (1) in order to be attached to the exterior surface of the air conditioner anemostat (air blower).
- [Claim 2] The air conditioner scent apparatus (1), according to claim 2, is characterized by containing essence in any form from the group of gel, granule, aromatized impregnate cardboard, cellulosic material which is scent impregnated by means of pulverize spraying machine.
- [Claim 3] The air conditioner scent apparatus (1), according to any of the claims above, is characterized in that; cellulosic material which is scent impregnated by means of pulverize spraying machine contains disinfectant essence oil.
- [Claim 4] The air conditioner scent apparatus (1), according to any of the claims above, is characterized in that the disinfectant essence oil is at least one from the group of rosemary oil, lavender oil, oil of marjoram and spearmint oil.
- [Claim 5] The air conditioner scent apparatus (1), according to any of the claims above, is characterized in that its three dimensional and in the form of a split air conditioner.

[Claim 6]

The air conditioner scent apparatus (1), according to any of the claims above, is characterized in that it has a folding reservoir (4) for replacing the essence material.

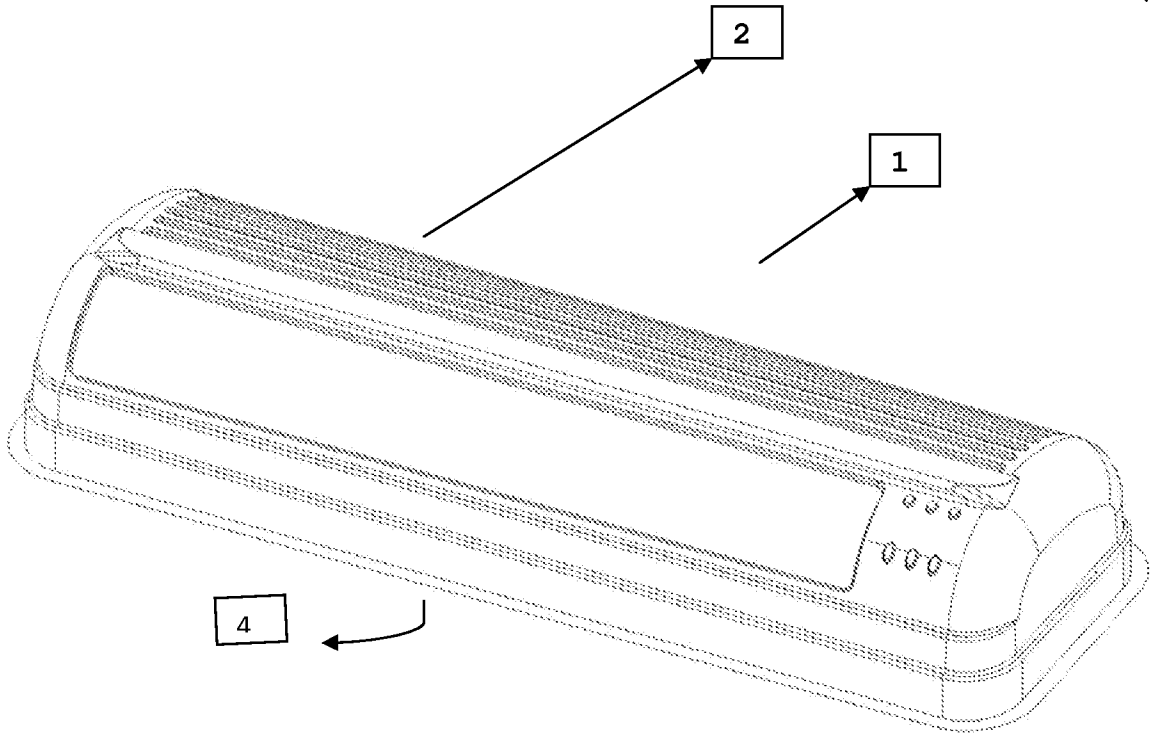


Fig. 1

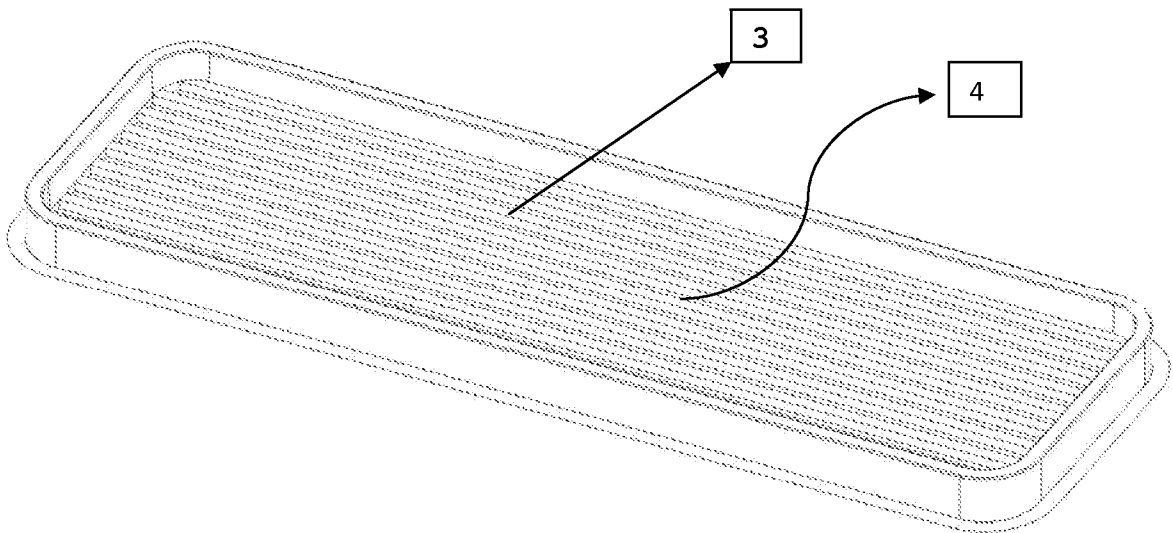


Fig. 2

# INTERNATIONAL SEARCH REPORT

International application No <b>PCT/IB2012/053480</b>
--

**A. CLASSIFICATION OF SUBJECT MATTER**  
**INV. A61L9/12**  
**ADD.**

According to International Patent Classification (IPC) or to both national classification and IPC

**B. FIELDS SEARCHED**

Minimum documentation searched (classification system followed by classification symbols)  
**A61L**

Documentation searched other than minimum documentation to the extent that such documents are included in the fields searched

Electronic data base consulted during the international search (name of data base and, where practicable, search terms used)  
**EPO-Internal, WPI Data**

**C. DOCUMENTS CONSIDERED TO BE RELEVANT**

Category*	Citation of document, with indication, where appropriate, of the relevant passages	Relevant to claim No.
X	DE 198 37 356 A1 (SCHOENEBECK NORMA [DE]) 24 February 2000 (2000-02-24) column 2, lines 11-58; figure 4 -----	1-6
A	WO 95/15772 A1 (PAUL LEONARD [US]) 15 June 1995 (1995-06-15) page 4, lines 11-14; claim 13 -----	4
A	US 2003/031588 A1 (SCHUR JORG PETER [DE]) 13 February 2003 (2003-02-13) paragraphs [0067], [0068]; claim 1 ----- -/--	4

<input checked="" type="checkbox"/> Further documents are listed in the continuation of Box C.	<input checked="" type="checkbox"/> See patent family annex.
--	--

\* Special categories of cited documents :

<p>"A" document defining the general state of the art which is not considered to be of particular relevance</p> <p>"E" earlier application or patent but published on or after the international filing date</p> <p>"L" document which may throw doubts on priority claim(s) or which is cited to establish the publication date of another citation or other special reason (as specified)</p> <p>"O" document referring to an oral disclosure, use, exhibition or other means</p> <p>"P" document published prior to the international filing date but later than the priority date claimed</p>	<p>"T" later document published after the international filing date or priority date and not in conflict with the application but cited to understand the principle or theory underlying the invention</p> <p>"X" document of particular relevance; the claimed invention cannot be considered novel or cannot be considered to involve an inventive step when the document is taken alone</p> <p>"Y" document of particular relevance; the claimed invention cannot be considered to involve an inventive step when the document is combined with one or more other such documents, such combination being obvious to a person skilled in the art</p> <p>"&amp;" document member of the same patent family</p>
---	---

Date of the actual completion of the international search <b>19 March 2013</b>	Date of mailing of the international search report <b>02/04/2013</b>
---	---

Name and mailing address of the ISA/ European Patent Office, P.B. 5818 Patentlaan 2 NL - 2280 HV Rijswijk Tel. (+31-70) 340-2040, Fax: (+31-70) 340-3016	Authorized officer  <b>Bjola, Bogdan</b>
--	--

## INTERNATIONAL SEARCH REPORT

International application No

PCT/IB2012/053480

C(Continuation). DOCUMENTS CONSIDERED TO BE RELEVANT

Category*	Citation of document, with indication, where appropriate, of the relevant passages	Relevant to claim No.
A	DATABASE WPI Week 200910 4 July 2008 (2008-07-04) Thomson Scientific, London, GB; AN 2009-E18585 XP002694086, -& KR 100 843 680 B1 (HUSCON CO LTD) 4 July 2008 (2008-07-04) abstract  -----	4

# INTERNATIONAL SEARCH REPORT

Information on patent family members

International application No PCT/IB2012/053480
---

Patent document cited in search report	Publication date	Patent family member(s)	Publication date
DE 19837356	A1	24-02-2000	NONE
WO 9515772	A1	15-06-1995	AU 690946 B2 07-05-1998
			AU 1211995 A 27-06-1995
			BR 9408254 A 27-05-1997
			CA 2177078 A1 15-06-1995
			CN 1141596 A 29-01-1997
			EP 0732946 A1 25-09-1996
			JP H09506279 A 24-06-1997
			NZ 277179 A 24-02-1997
			US 5372303 A 13-12-1994
			US 5556030 A 17-09-1996
			WO 9515772 A1 15-06-1995
			ZA 9409351 A 16-11-1995
US 2003031588	A1	13-02-2003	NONE
KR 100843680	B1	04-07-2008	NONE