

[54] BOTTLE

[75] Inventor: Richard L. Weckman, Perrysburg, Ohio

[73] Assignee: Owens-Illinois, Inc.

[**] Term: 14 Years

[21] Appl. No.: 617,352

[22] Filed: Sept. 29, 1975

Related U.S. Application Data

[62] Division of Ser. No. 467,079, May 6, 1974.

[51] Int. Cl. D9-01

[52] U.S. Cl. D9/157

[58] Field of Search D9/167, 168, 157, 129-130; 215/1 R, 1 C

[56] References Cited

U.S. PATENT DOCUMENTS

D. 235,312 6/1975 Kretz D9/127
D. 236,689 9/1975 Weckman D9/157

Primary Examiner—Robert C. Spangler
Attorney, Agent, or Firm—E. J. Holler

[57] CLAIM

The ornamental design for a bottle, substantially as shown and described.

DESCRIPTION

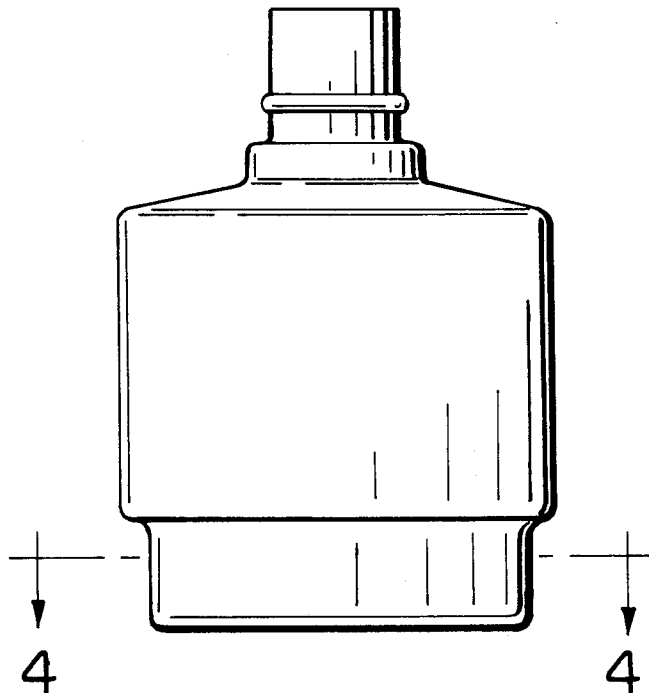
FIG. 1 is a front elevational view of a bottle showing my new design;

FIG. 2 is a side elevational view thereof;

FIG. 3 is a top plan view thereof; and

FIG. 4 is a sectional view thereof taken on line 4—4 of FIG. 1.

The back is the same in appearance as the front which is shown in FIG. 1, and the side opposite that seen in FIG. 2 is the same in appearance as the side shown.



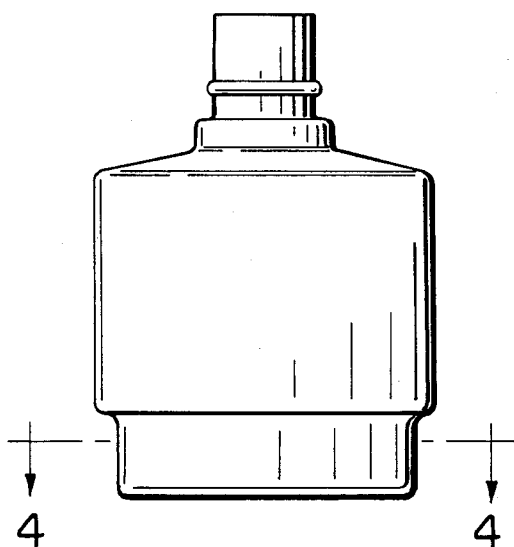


FIG. 1

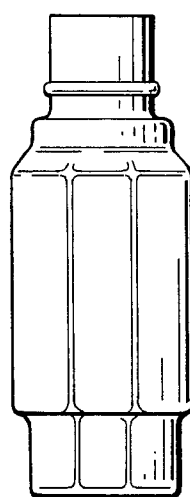


FIG. 2

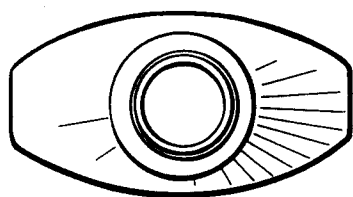


FIG. 3

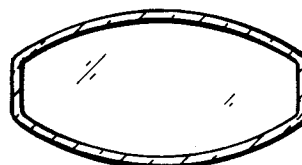


FIG. 4