



US00D811348S

(12) **United States Design Patent**
Cueller et al.

(10) **Patent No.:** **US D811,348 S**
(45) **Date of Patent:** **** Feb. 27, 2018**

(54) **CONNECTOR HOUSING**

(71) Applicant: **Molex, LLC**, Lisle, IL (US)

(72) Inventors: **Edmundo Delmotte Cueller**, Tlajomulco de Zuñiga (MX); **Josue Alejandro Velasquez Sahagun**, Zapopan (MX)

(73) Assignee: **Molex, LLC**, Lisle, IL (US)

(**) Term: **15 Years**

(21) Appl. No.: **29/588,378**

(22) Filed: **Dec. 20, 2016**

(51) **LOC (11) Cl.** **13-03**

(52) **U.S. Cl.**
USPC **D13/152**; D13/156

(58) **Field of Classification Search**
USPC D13/152, 154, 156, 177; 174/64, 66, 67
CPC H02G 3/08; H02G 3/081; H02G 3/086;
H02G 3/10; H02G 3/12; H02G 3/126;
H02G 3/14; H02G 3/16; H02G 3/18;
H01R 13/74; H01R 31/065
See application file for complete search history.

8,067,703 B1 * 11/2011 Gretz H02G 3/22
174/53

8,445,780 B1 * 5/2013 Robins H02G 3/14
174/481

D692,836 S * 11/2013 Thomas D13/152

8,586,864 B1 * 11/2013 Shotey H02G 3/14
174/53

8,772,649 B1 * 7/2014 Gretz H02G 3/14
174/480

9,247,657 B2 * 1/2016 Row H01R 13/516

9,252,610 B2 * 2/2016 Chen H02J 7/0042

9,640,962 B2 * 5/2017 Hernandez
Ramirez H02G 3/32

9,711,911 B2 * 7/2017 Regnier H01R 9/2408

9,793,648 B2 * 10/2017 Regnier H01R 13/533

2004/0238197 A1 * 12/2004 Gates, II H01R 25/006
174/53

2009/0247006 A1 * 10/2009 Thompson H02G 3/121
439/527

2011/0067897 A1 * 3/2011 Peckham H01R 13/447
174/67

(Continued)

Primary Examiner — Selina Sikder
(74) *Attorney, Agent, or Firm* — Banner & Witcoff, Ltd.

(57) **CLAIM**

The ornamental design for a connector housing, as shown and described.

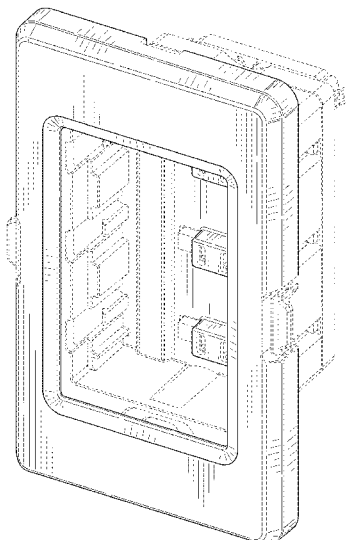
DESCRIPTION

FIG. 1 is a top right perspective view of connector housing showing our new design;
FIG. 2 is a bottom left perspective view thereof;
FIG. 3 is a front view thereof;
FIG. 4 is a right side view thereof;
FIG. 5 is a left side view thereof;
FIG. 6 is a top view thereof; and,
FIG. 7 is a bottom view thereof.
The broken line showing of the various unshaded regions of the connector housing represents unclaimed subject matter and forms no part in the claimed design.

1 Claim, 6 Drawing Sheets

(56) **References Cited**
U.S. PATENT DOCUMENTS

D261,135	S *	10/1981	Home	174/67
D329,422	S *	9/1992	Fujiyoshi	D13/139.1
D379,453	S *	5/1997	Fabrizi	D13/156
D381,958	S *	8/1997	Chen	D13/154
5,934,935	A *	8/1999	Kameyama	H02B 1/04 439/535
D414,745	S *	10/1999	Schmitt	D13/152
D466,085	S *	11/2002	Heggem	D13/152
D495,301	S *	8/2004	Newell	D13/152
D597,960	S *	8/2009	Dinh	D13/152
7,579,549	B2 *	8/2009	Jolly	H02G 3/12 174/50



(56)

References Cited

U.S. PATENT DOCUMENTS

2013/0267116	A1*	10/2013	Tin	H02J 1/00
				439/535
2015/0263447	A1*	9/2015	Liao	H01R 27/02
				361/601

* cited by examiner

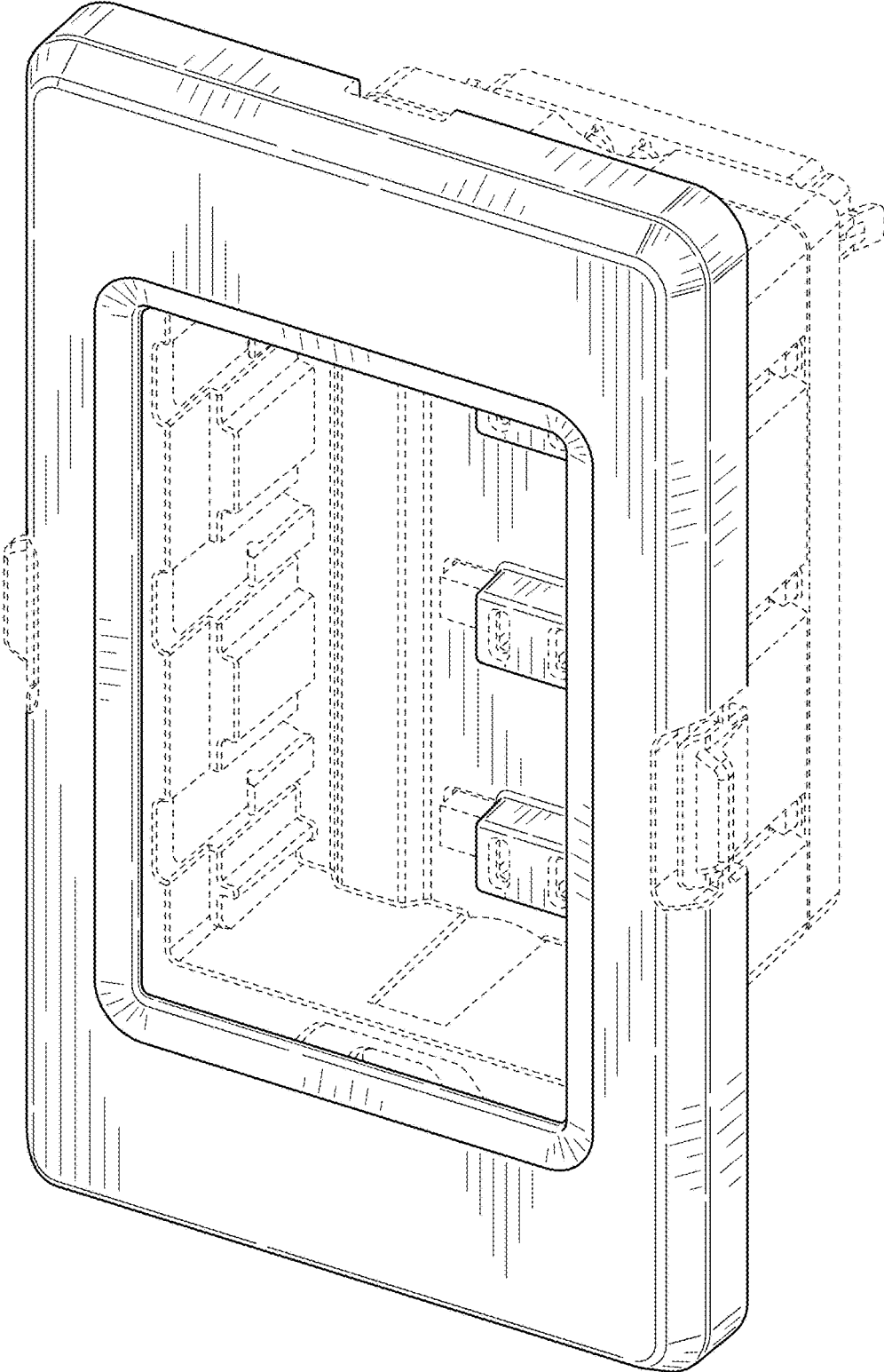


FIG. 1

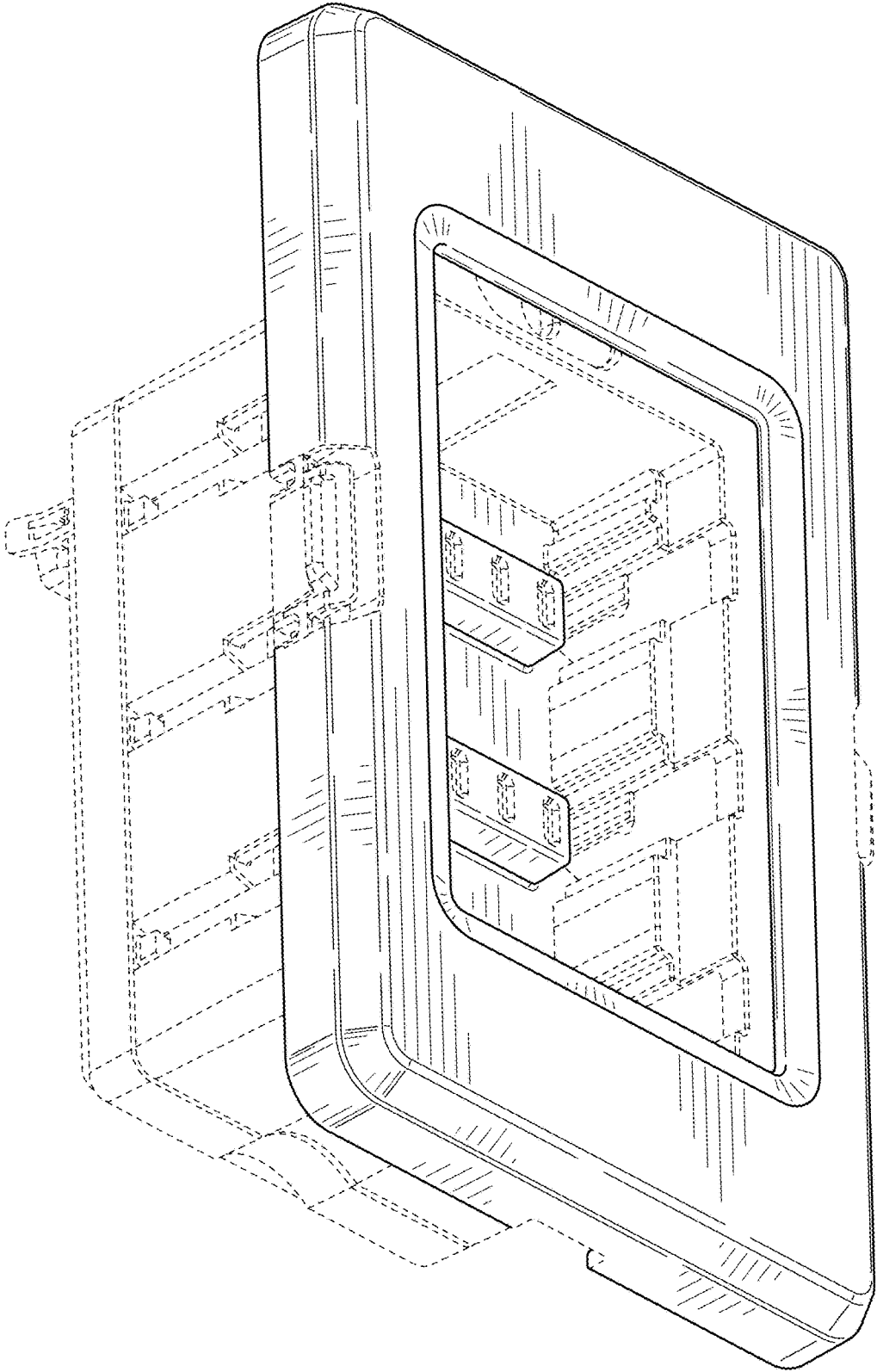


FIG. 2

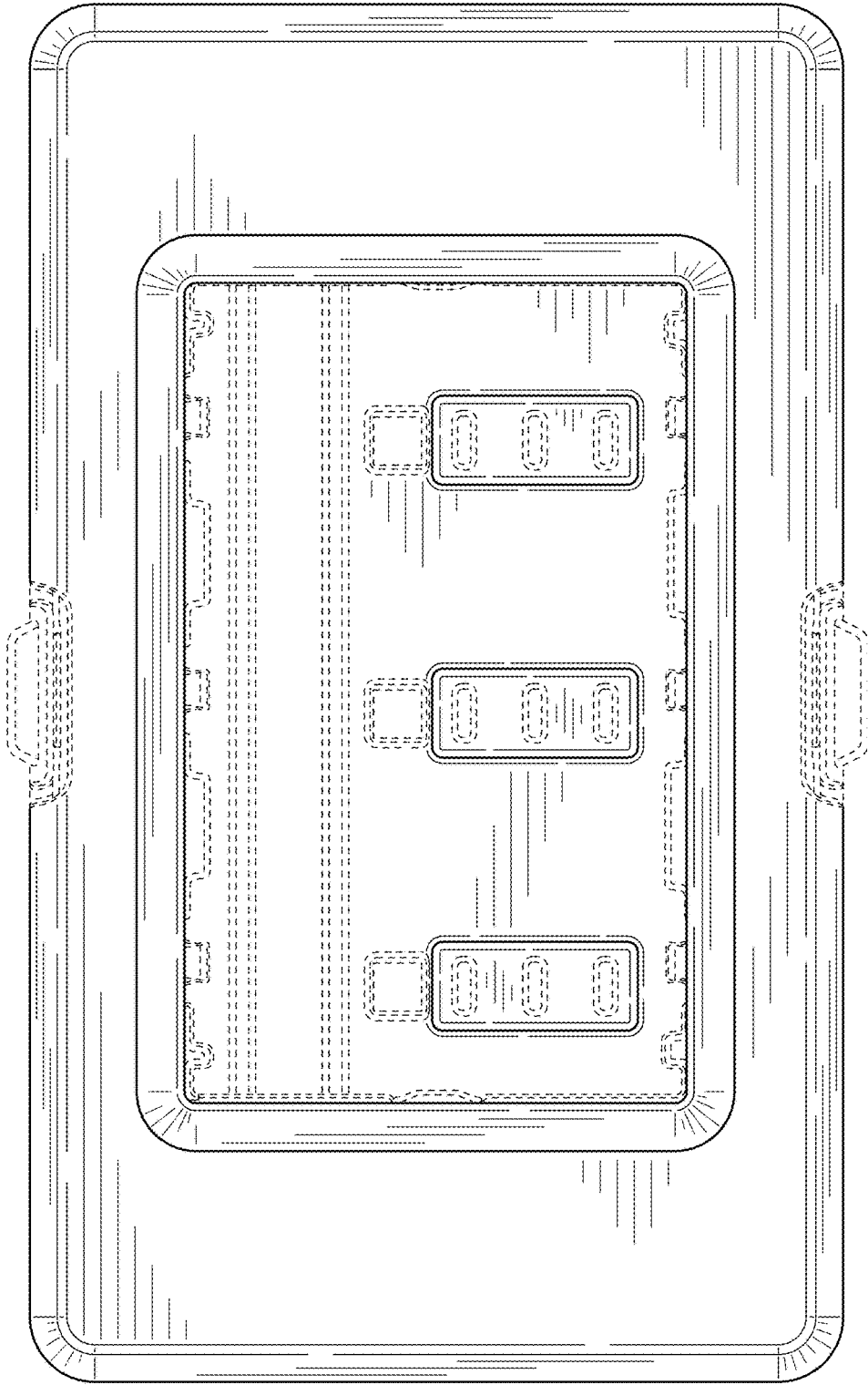


FIG. 3

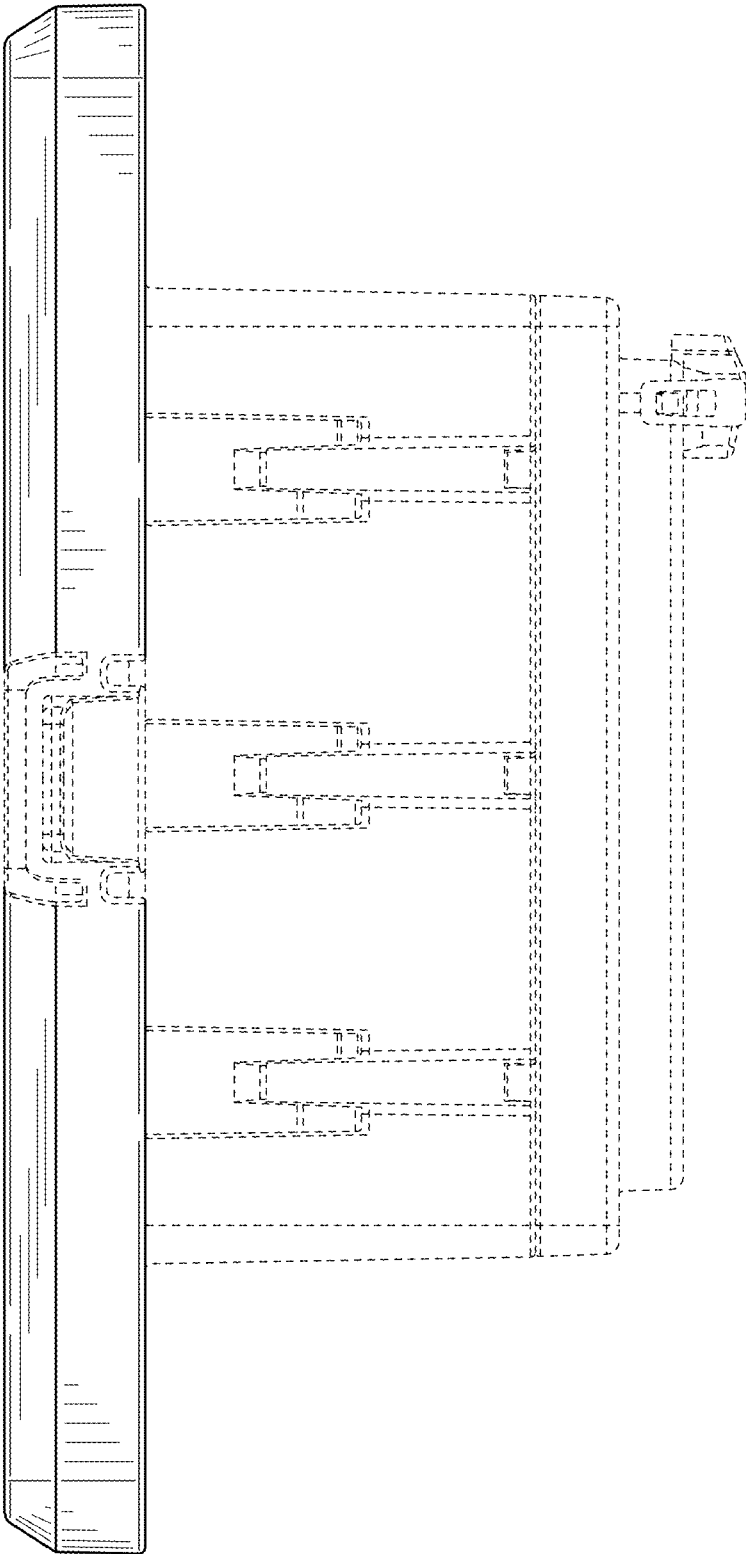


FIG. 4

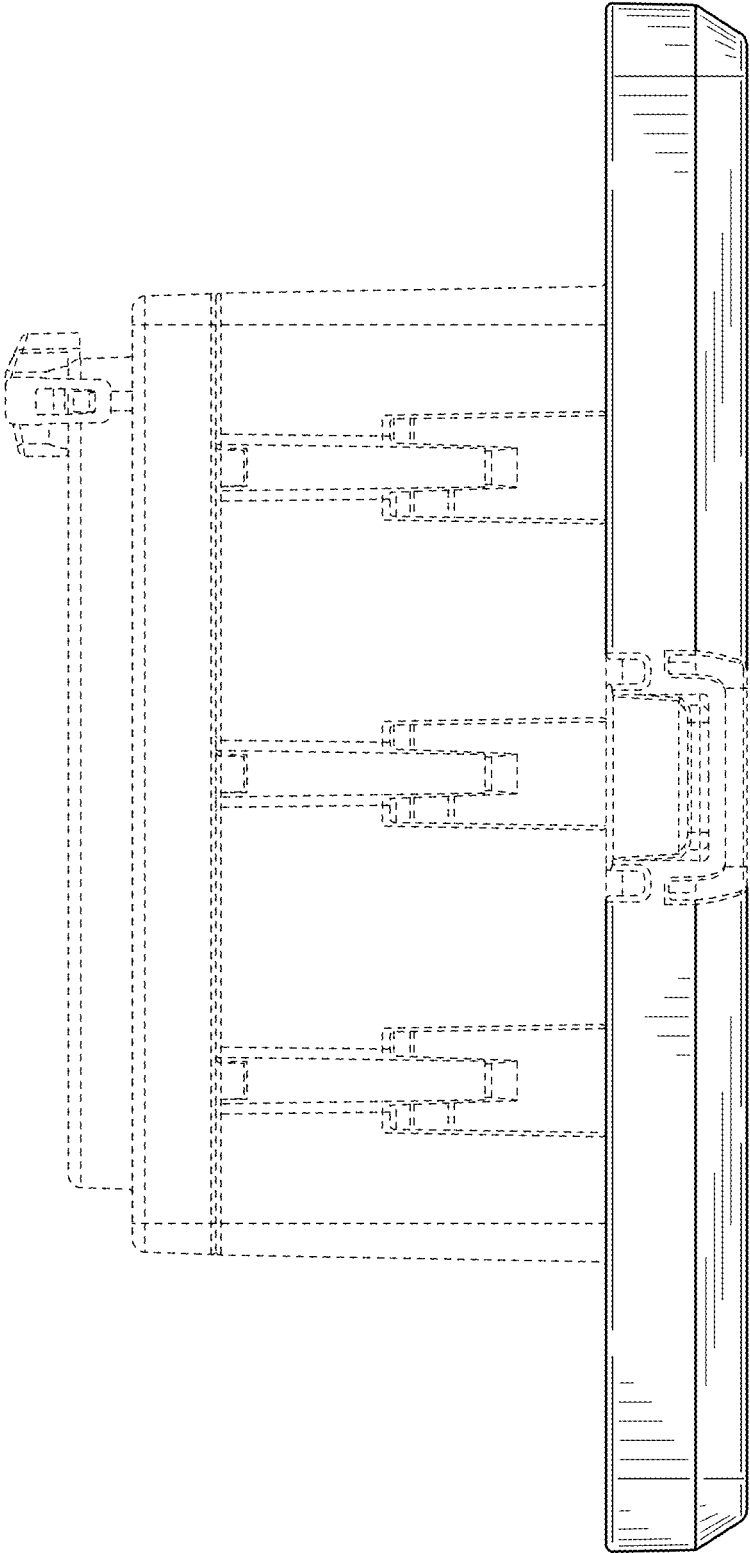


FIG. 5

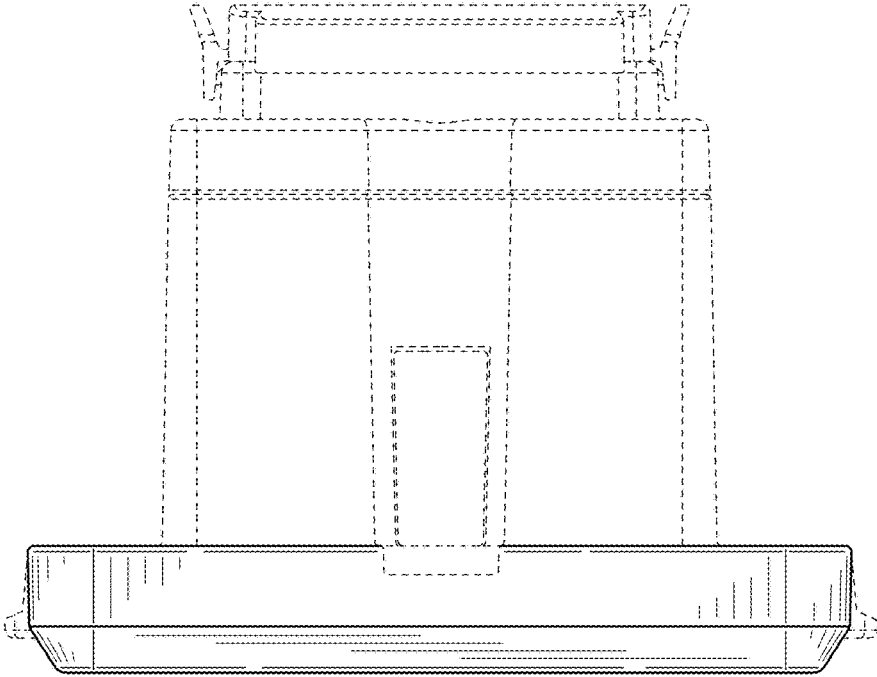


FIG. 6

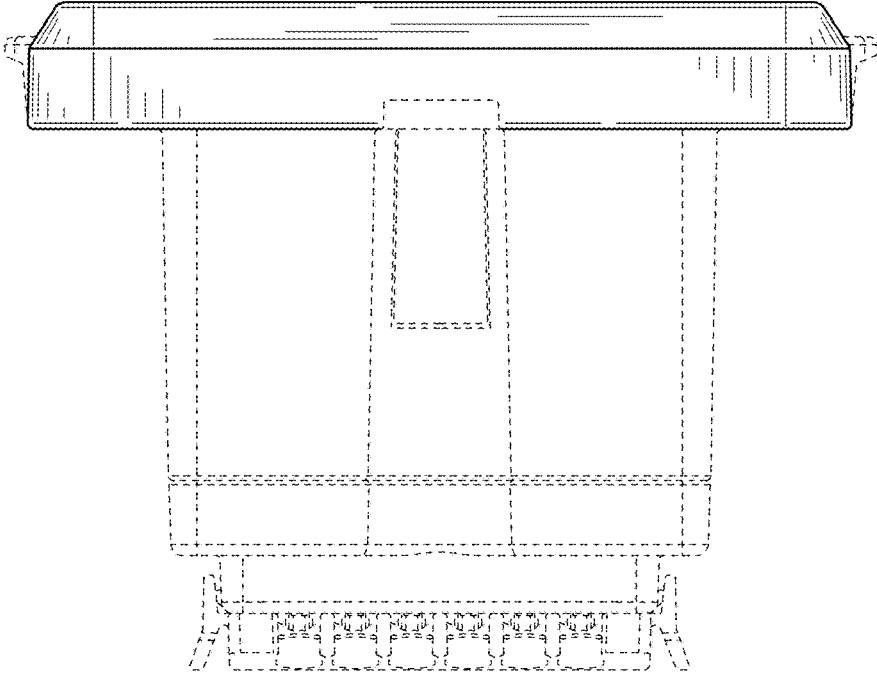


FIG. 7