



US0D1012292S

(12) **United States Design Patent**  
**Armstrong et al.**

(10) **Patent No.:** **US D1,012,292 S**

(45) **Date of Patent:** **\*\* Jan. 23, 2024**

(54) **HEALTH MONITOR**

(71) Applicant: **CURRENT HEALTH LIMITED,**  
Edinburgh (GB)

(72) Inventors: **Danielle Armstrong,** Edinburgh (GB);  
**Iain Macdonald Taylor,** Edinburgh  
(GB); **Stephen John Johnston,**  
Edinburgh (GB)

(73) Assignee: **CURRENT HEALTH LIMITED,**  
Edinburgh (GB)

(\*\*) Term: **15 Years**

(21) Appl. No.: **29/787,165**

(22) Filed: **Jun. 4, 2021**

(51) **LOC (14) Cl.** ..... **24-02**

(52) **U.S. Cl.**  
USPC ..... **D24/186**

(58) **Field of Classification Search**  
USPC ..... D24/164, 165, 167, 168, 169, 186, 187,  
D24/107; D10/70; D14/344  
CPC ..... A61B 5/0205; A61B 5/02405; A61B  
5/02427; A61B 5/02438; A61B 5/0245;  
A61B 5/254; A61B 5/257; A61B 5/26;  
A61B 5/271; A61B 5/28; A61B 5/282;  
A61B 5/308; A61B 5/318; A61B 5/332;  
A61B 5/0022; A61B 5/02055; A61B  
5/6898; A61B 5/1112; A61B 5/1117;  
A61B 5/1118; A61B 5/14532; A61B  
5/6824; A61B 5/6829; A61B 5/6831  
See application file for complete search history.

(56) **References Cited**

**U.S. PATENT DOCUMENTS**

D718,866 S \* 12/2014 Law ..... D24/167  
D768,623 S \* 10/2016 Zou ..... D24/167  
D780,316 S \* 2/2017 Pukall ..... D24/186  
D781,852 S \* 3/2017 Yu ..... D14/344

D794,206 S \* 8/2017 Cohrs ..... D24/186  
D827,831 S \* 9/2018 Fong ..... D24/186  
D838,853 S \* 1/2019 Lumme ..... D24/167  
D901,692 S \* 11/2020 Rihu ..... D24/167  
D934,430 S \* 10/2021 Jariwala ..... D24/186  
D937,418 S \* 11/2021 Byler ..... D24/167  
D939,365 S \* 12/2021 Nothacker ..... D24/186  
D954,959 S \* 6/2022 Rizzo ..... D24/169

(Continued)

*Primary Examiner* — T Chase Nelson

*Assistant Examiner* — Kelly L Gross

(74) *Attorney, Agent, or Firm* — Nixon & Vanderhye P.C.

(57) **CLAIM**

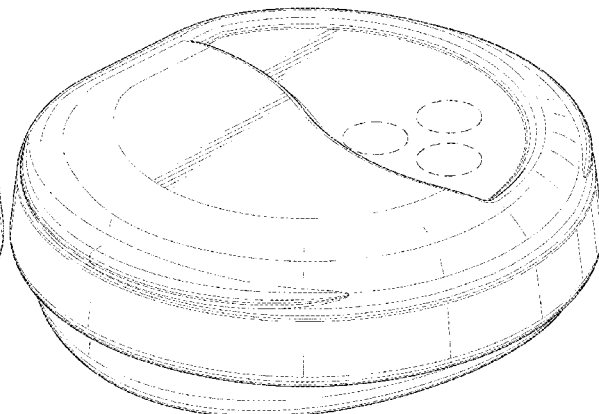
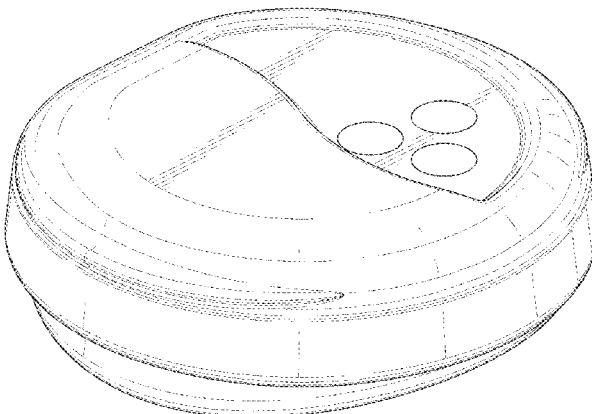
The ornamental design for a health monitor, as shown and described.

**DESCRIPTION**

FIG. 1 is a perspective view of a first embodiment of a health monitor from above and left side;  
FIG. 2 is a perspective view from below and right side thereof;  
FIG. 3 is a top view thereof;  
FIG. 4 is a bottom view thereof;  
FIG. 5 is a right side view thereof;  
FIG. 6 is a left side view thereof;  
FIG. 7 is a front view thereof;  
FIG. 8 is a rear view thereof;  
FIG. 9 is a perspective view of a second embodiment of a health monitor from above and left side;  
FIG. 10 is a perspective view from below and right side thereof;  
FIG. 11 is a top view thereof;  
FIG. 12 is a bottom view thereof;  
FIG. 13 is a right side view thereof;  
FIG. 14 is a left side view thereof;  
FIG. 15 is a front view thereof; and,  
FIG. 16 is a rear view thereof.

Dashed or broken lines form no part of the claimed design.

**1 Claim, 12 Drawing Sheets**



(56)

**References Cited**

U.S. PATENT DOCUMENTS

D962,929 S \* 9/2022 He ..... D10/70  
D970,017 S \* 11/2022 Knoedler ..... D24/186  
D973,885 S \* 12/2022 Levine ..... D24/186  
D975,045 S \* 1/2023 Xu ..... D24/186  
D976,416 S \* 1/2023 Baumer ..... D24/186  
D977,115 S \* 1/2023 Nicolae ..... D24/186  
D978,691 S \* 2/2023 Nothacker ..... D10/70  
D980,431 S \* 3/2023 Narayanan ..... D24/186  
D982,759 S \* 4/2023 Qian ..... A61B 5/7203  
D24/167  
D984,650 S \* 4/2023 Dixit ..... D24/187  
D986,421 S \* 5/2023 Lynch ..... D24/186  
D990,676 S \* 6/2023 Takahashi ..... D24/186  
D991,063 S \* 7/2023 Bosua ..... D24/186  
D991,462 S \* 7/2023 Tasker ..... D24/187  
D994,123 S \* 8/2023 Lam ..... D24/167  
D994,887 S \* 8/2023 Lam ..... D24/167  
2022/0265214 A1 \* 8/2022 Jariwala ..... A61B 5/28

\* cited by examiner

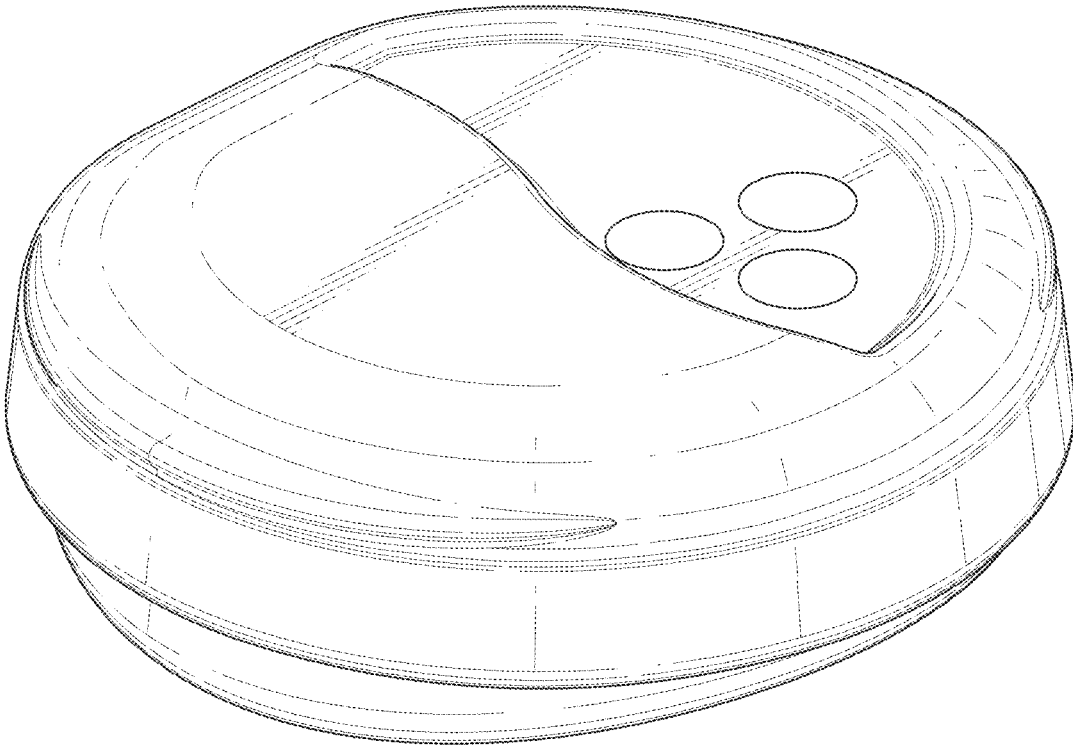


FIG. 1

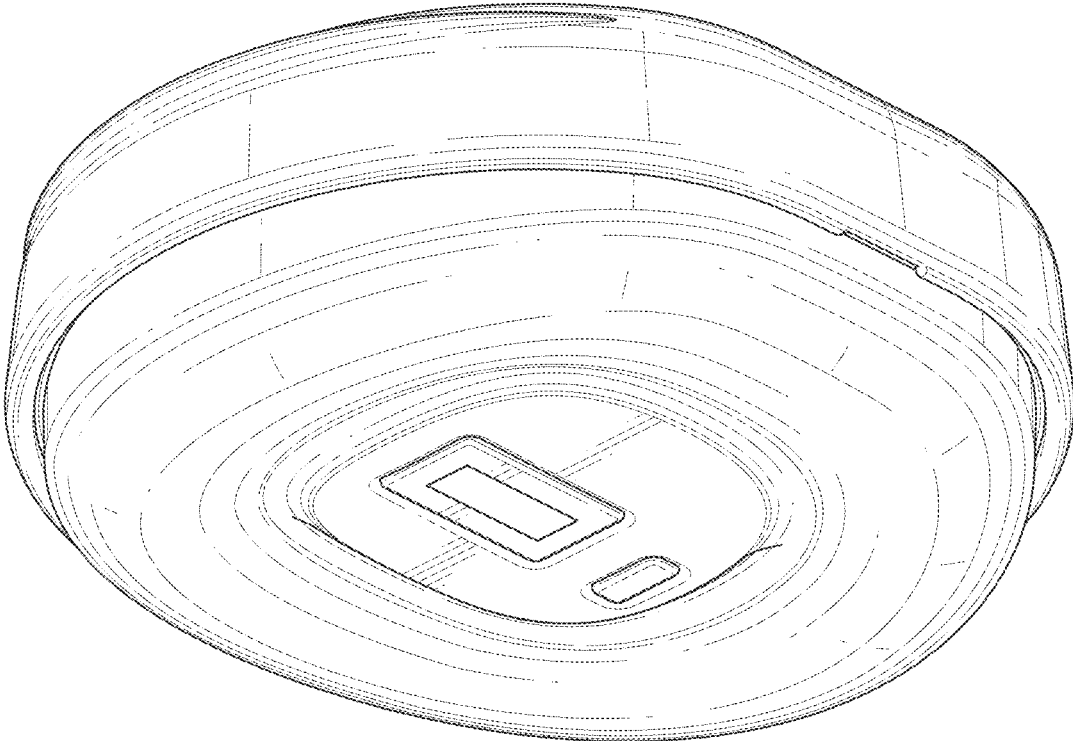


FIG. 2

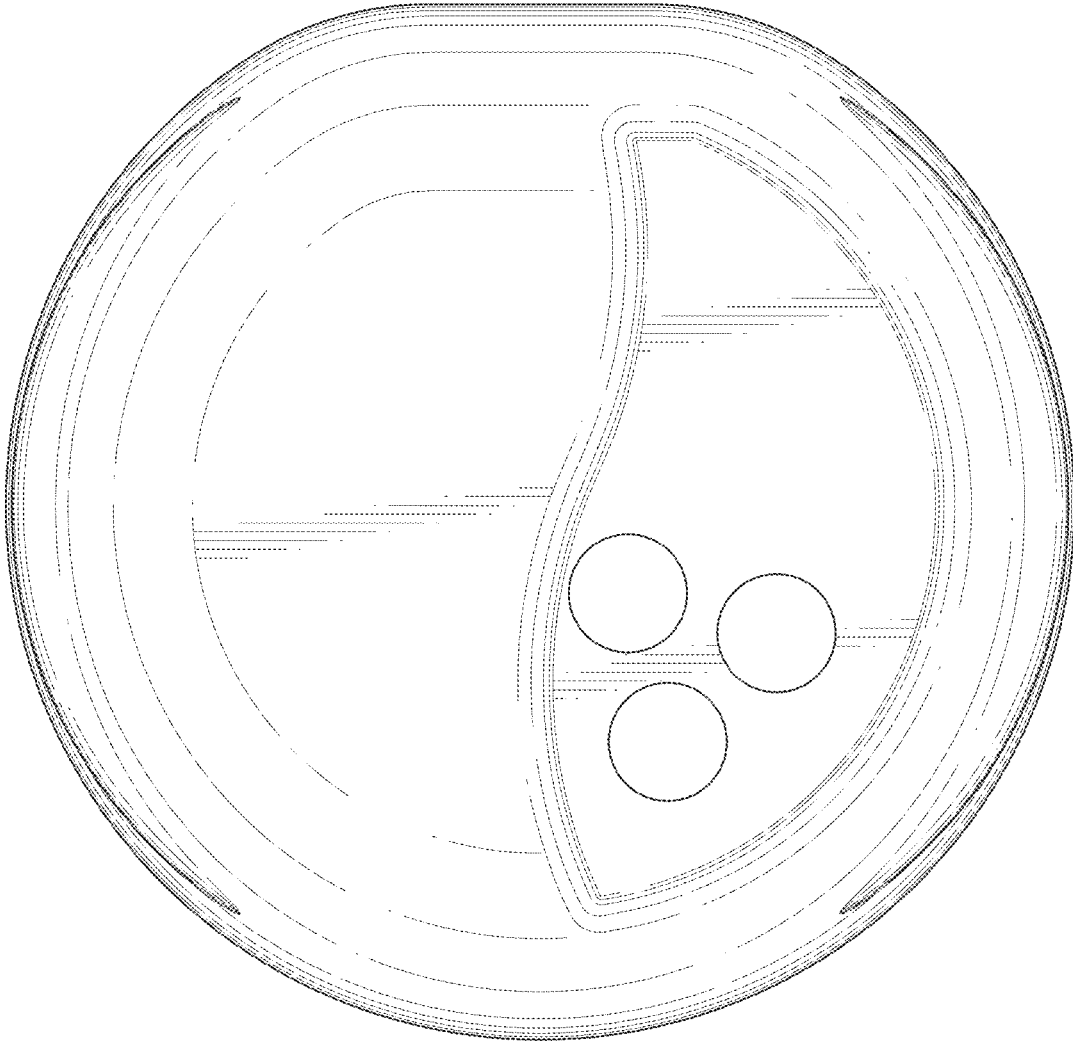


FIG. 3

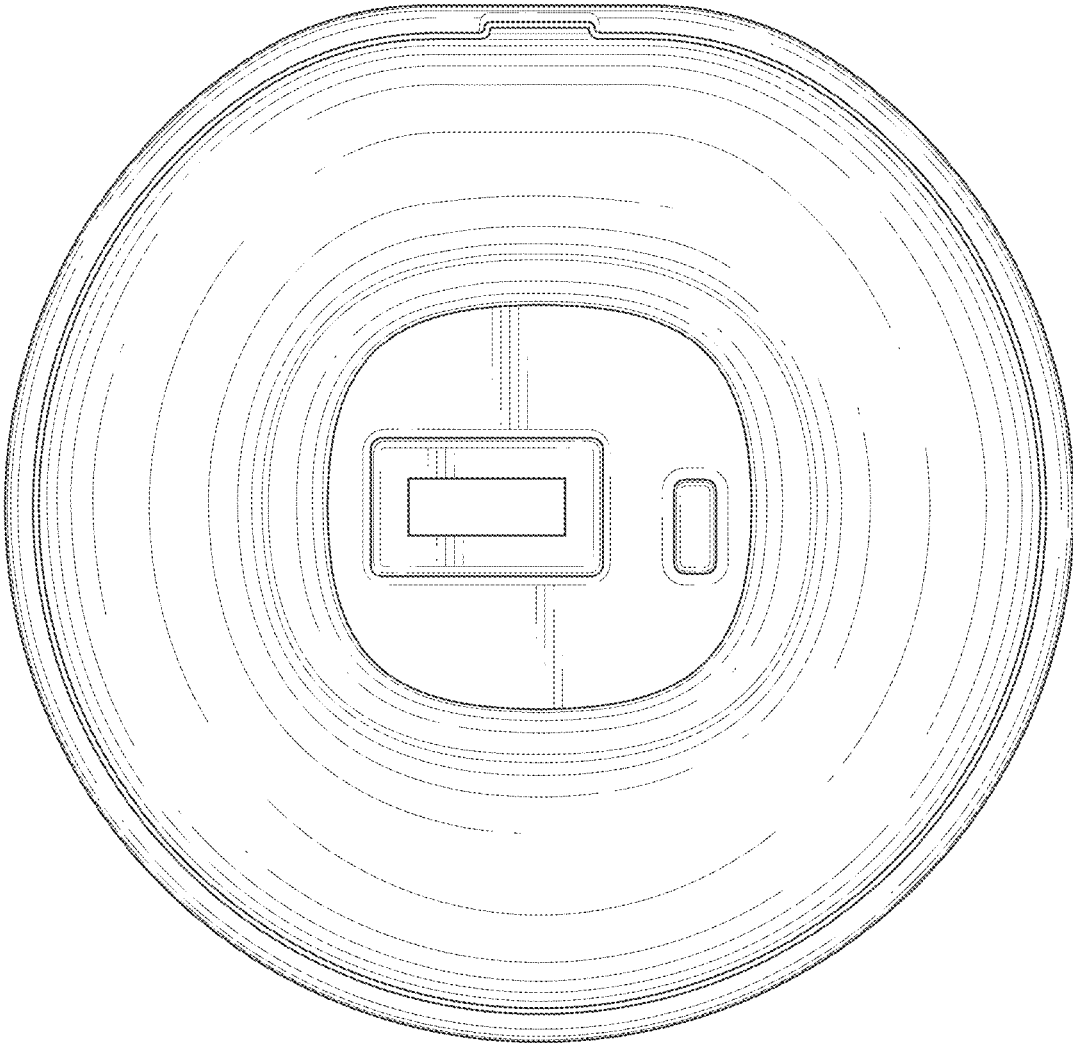


FIG. 4

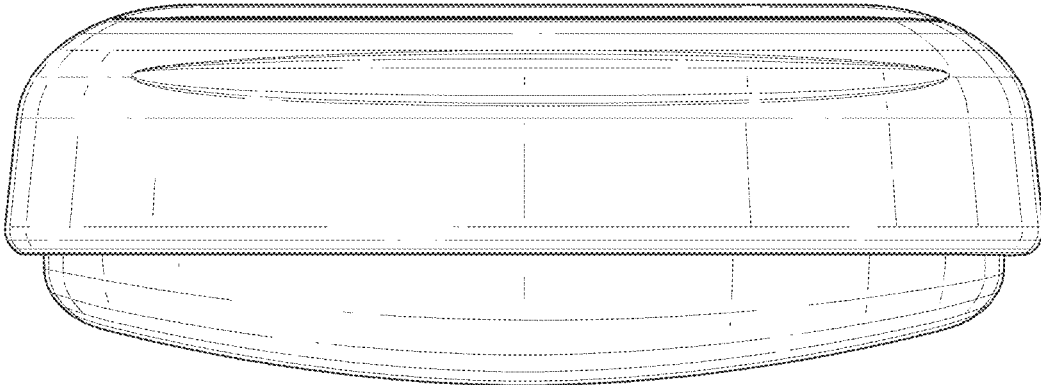


FIG. 5

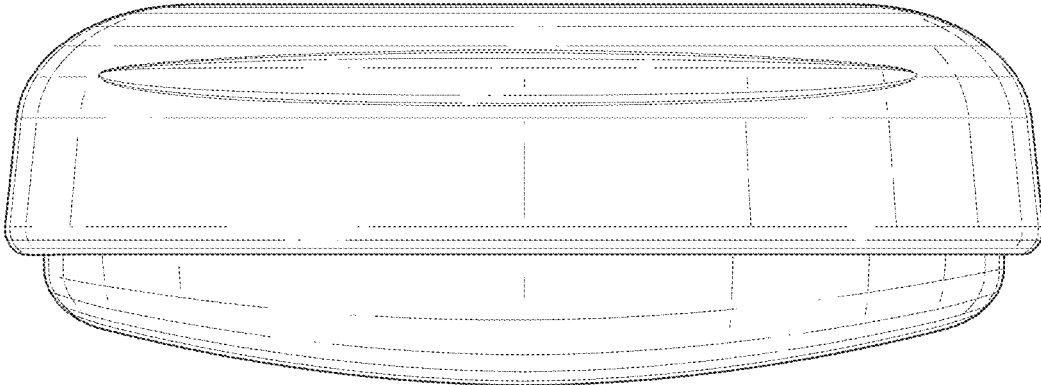


FIG. 6

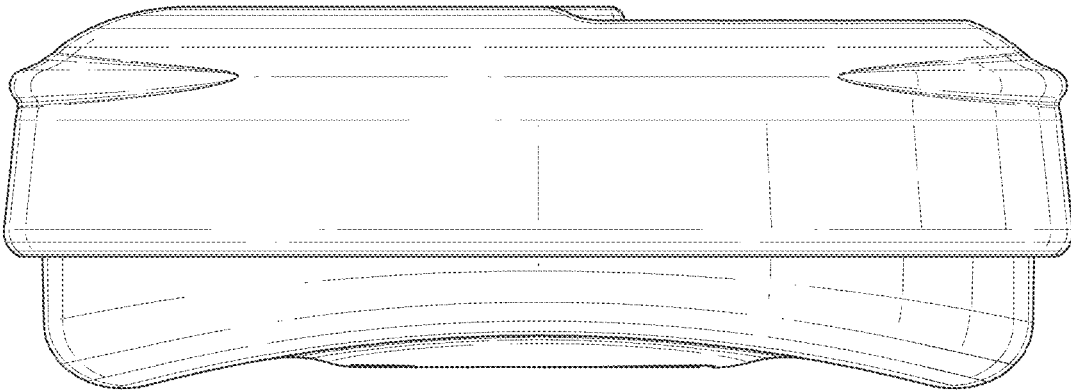


FIG. 7

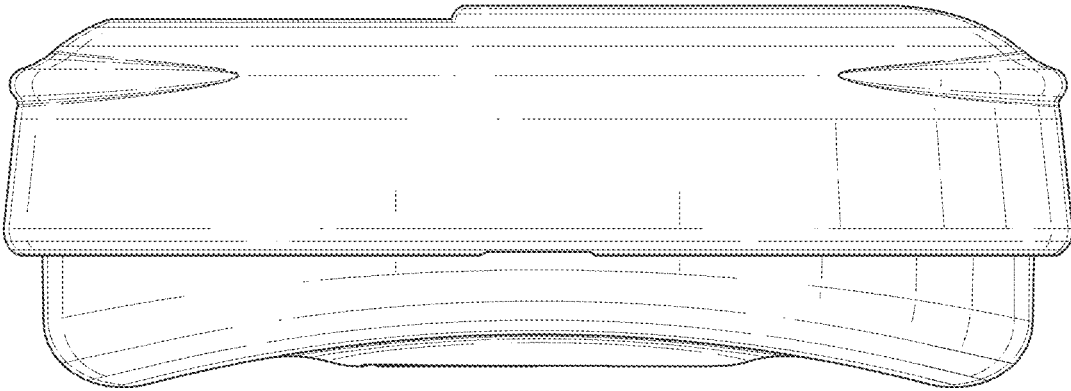


FIG. 8

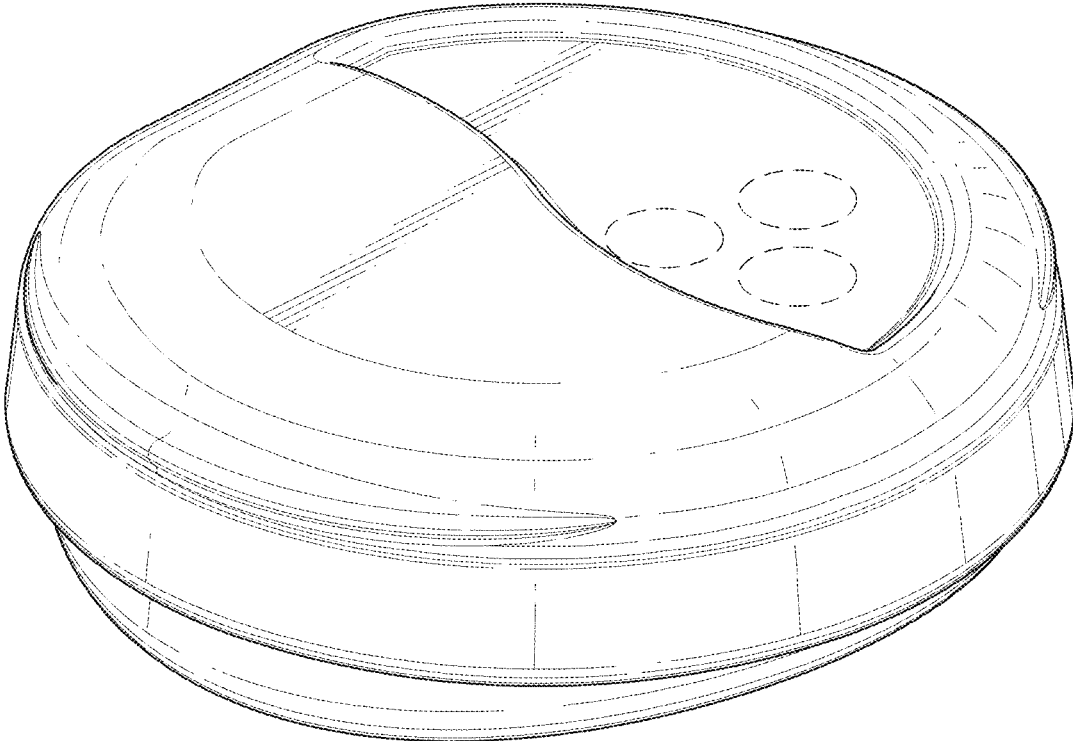


FIG. 9

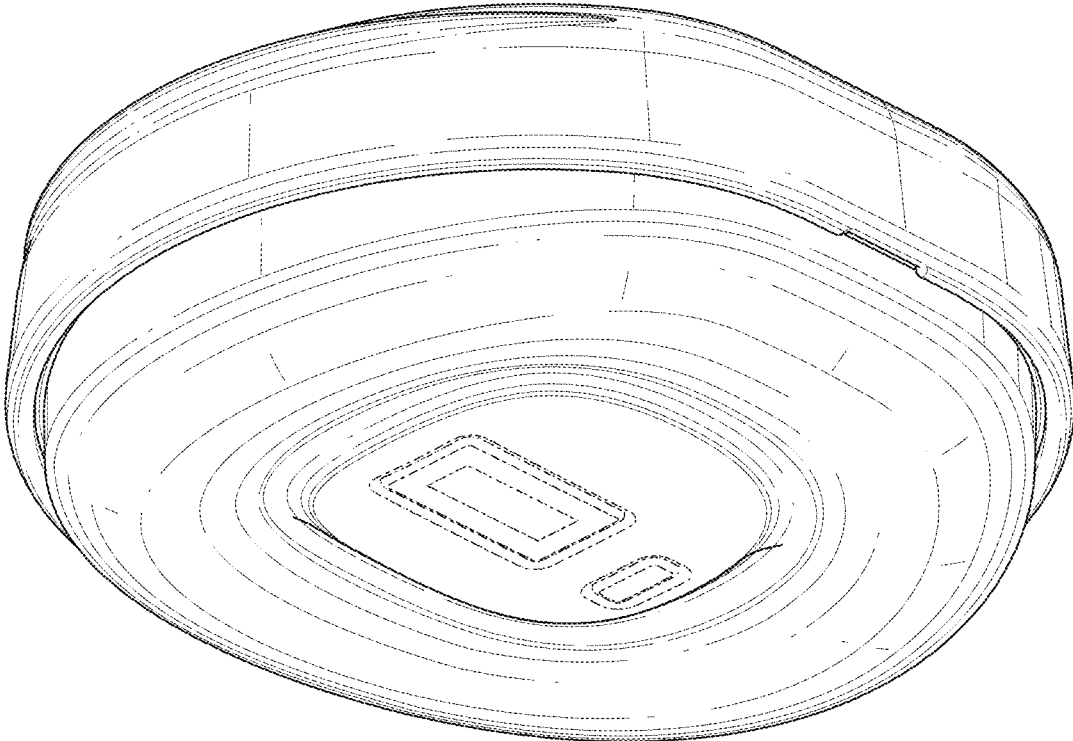


FIG. 10

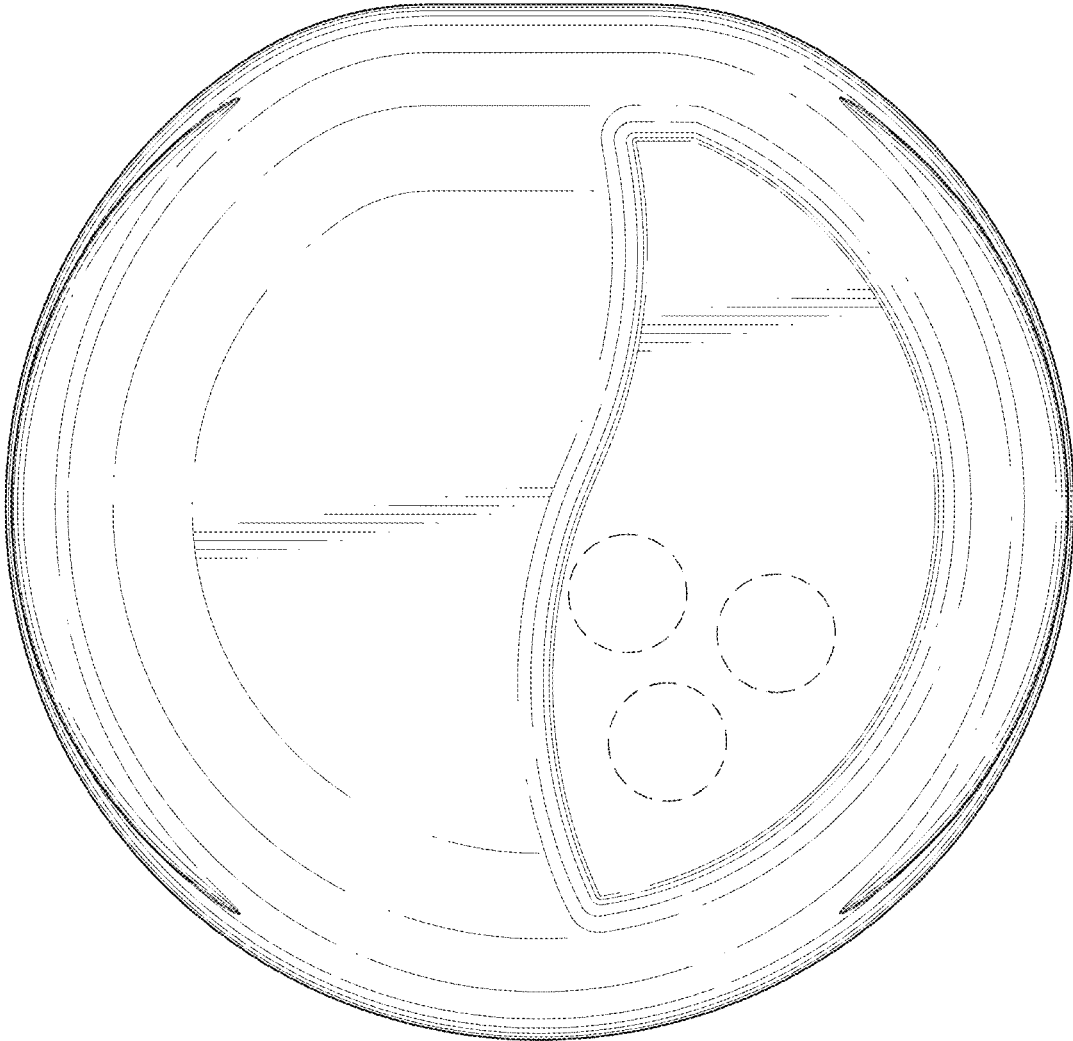


FIG. 11

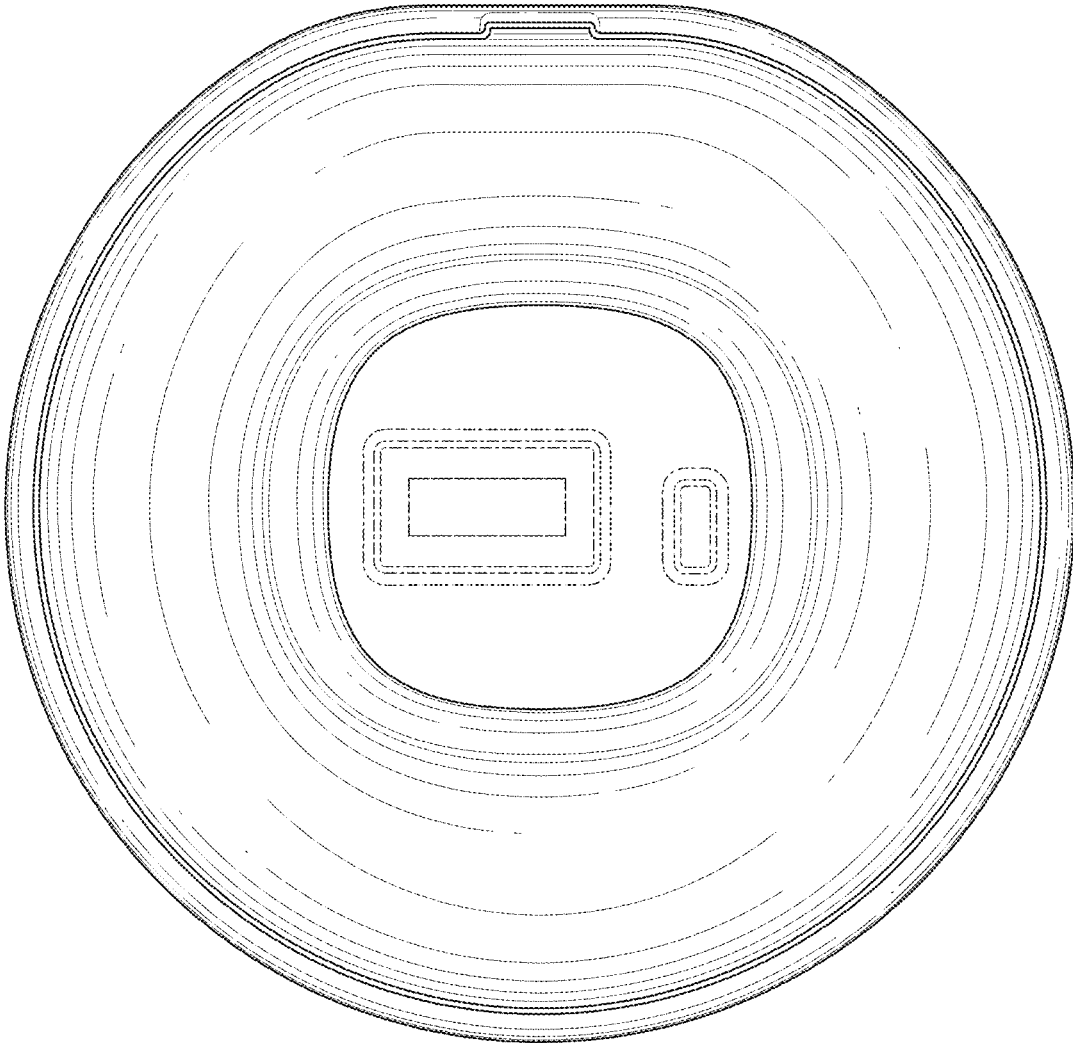


FIG. 12

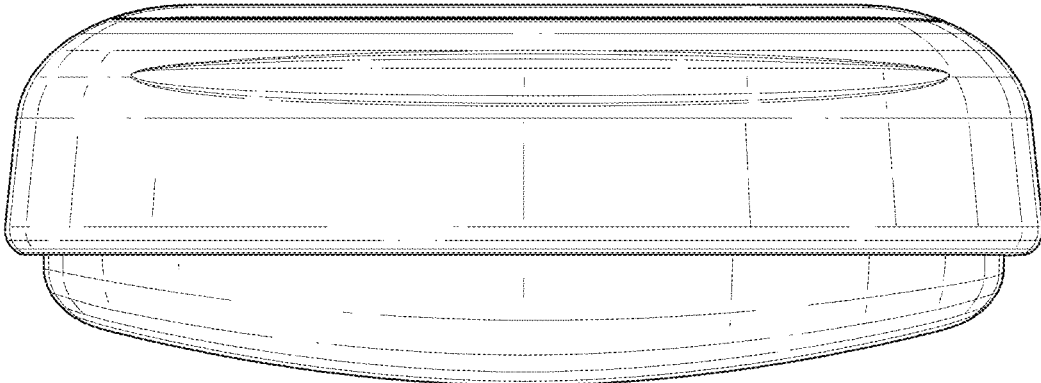


FIG. 13

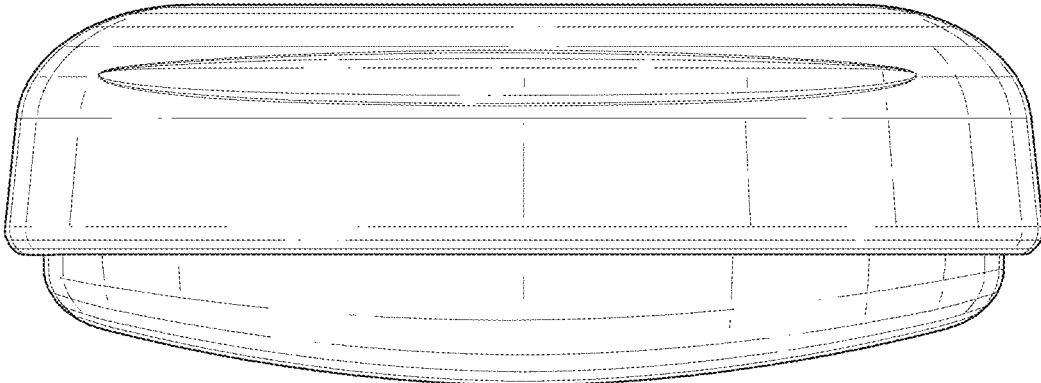


FIG. 14

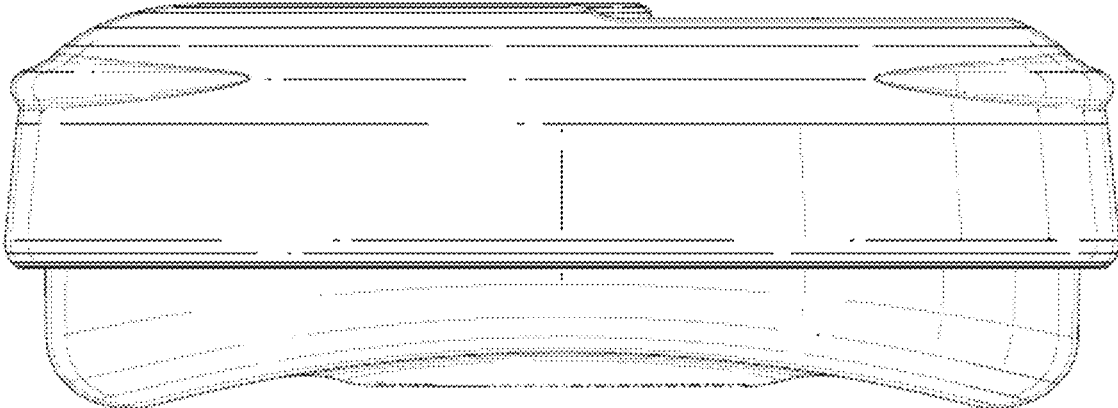


FIG. 15

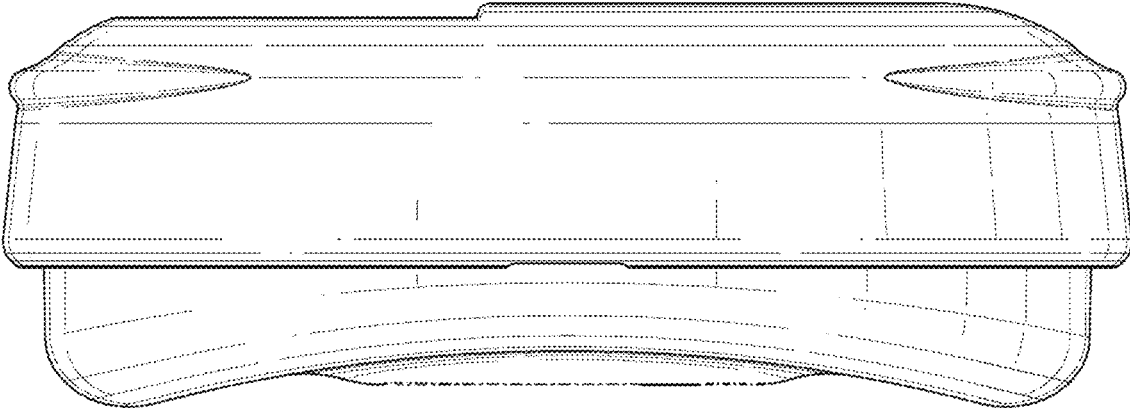


FIG. 16