



US00D429811S

United States Patent [19]
Bermudez

[11] **Patent Number: Des. 429,811**

[45] **Date of Patent: ** Aug. 22, 2000**

[54] **VENTILATING INTUBATING LARYNGEAL MASK AIRWAY**

5,964,217 10/1999 Christopher 128/200.26
5,979,445 11/1999 Neame et al. 128/207.15
6,021,779 2/2000 Pagan 128/207.15

[76] Inventor: **Joseph Anthony Bermudez**, 6143
Acacia Ave., Oakland, Calif. 94618

Primary Examiner—Ian Simmons
Attorney, Agent, or Firm—Goldstein & Canino

[**] Term: **14 Years**

[57] **CLAIM**

[21] Appl. No.: **29/099,384**

The ornamental design for a ventilating intubating laryngeal mask airway, as shown and described.

[22] Filed: **Jan. 20, 1999**

DESCRIPTION

[51] **LOC (7) Cl.** **29-02**

[52] **U.S. Cl.** **D24/110.5; D24/110.1**

[58] **Field of Search** D24/110, 110.1,
D24/110.5, 110.4; 128/207.14, 207.15,
200.26

FIG. 1 is a diagrammatic perspective view of the ventilating intubating laryngeal mask airway.

FIG. 2 is a front elevational view thereof.

FIG. 3 is a rear elevational view thereof.

FIG. 4 is a left side elevational view thereof.

FIG. 5 is a right side elevational view thereof.

FIG. 6 is a top plan view thereof; and,

FIG. 7 is a bottom plan view thereof.

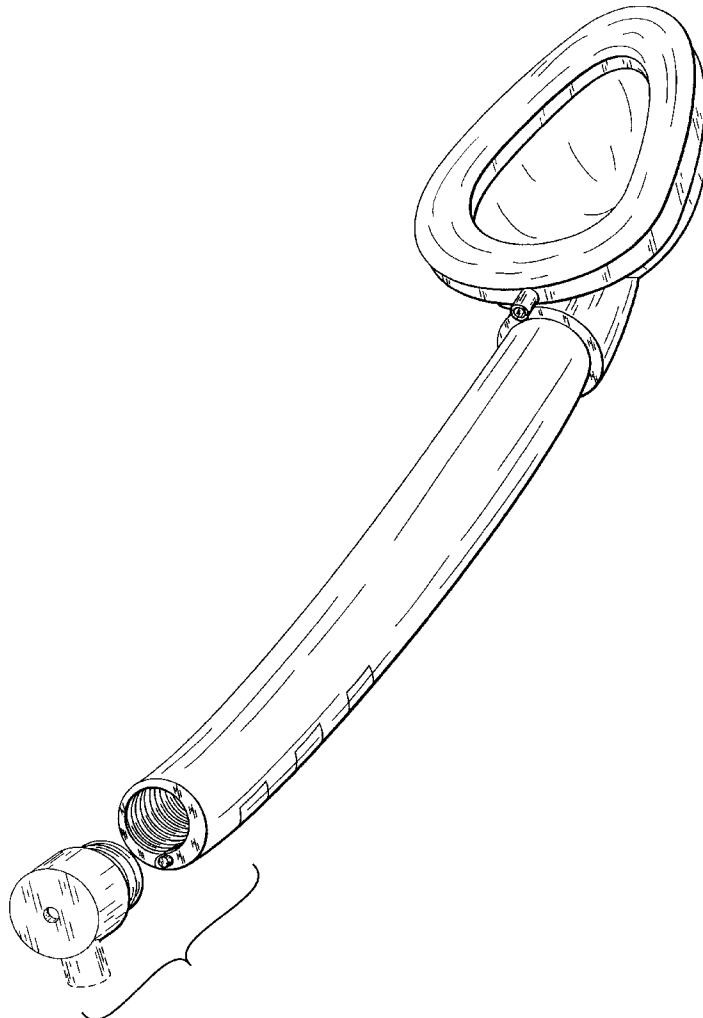
The broken line showing in FIGS. 1 through 7 is for illustrative purposes only and forms no part of the claimed design.

[56] **References Cited**

U.S. PATENT DOCUMENTS

D. 293,613	1/1988	Wingler	D24/110.1
5,355,879	10/1994	Brain	128/207.15
5,477,851	12/1995	Callaghan	128/207.15
5,584,290	12/1996	Brain	128/207.15
5,623,921	4/1997	Kinsinger	128/200.26
5,682,880	11/1997	Brain	128/207.15

1 Claim, 4 Drawing Sheets



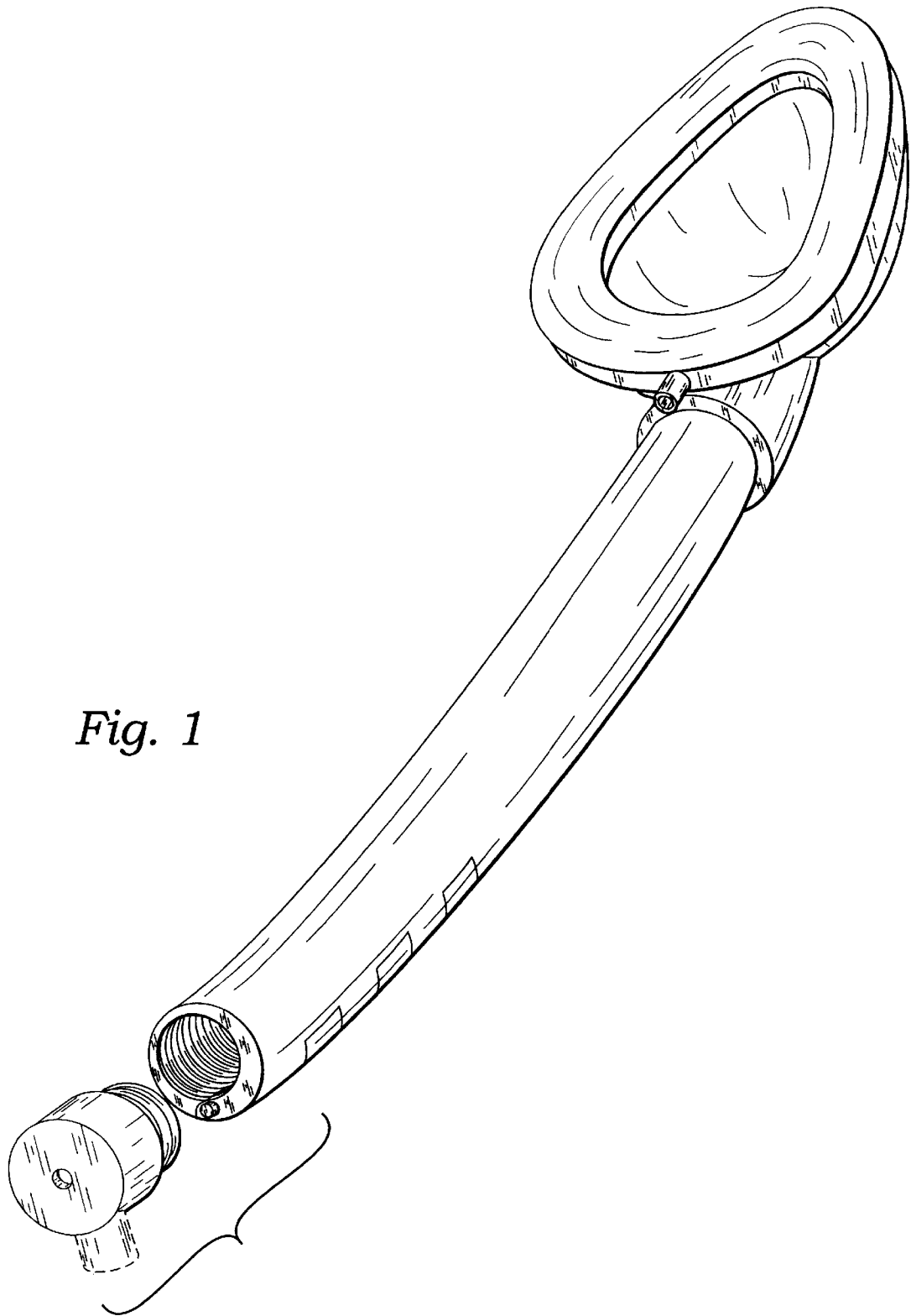


Fig. 1

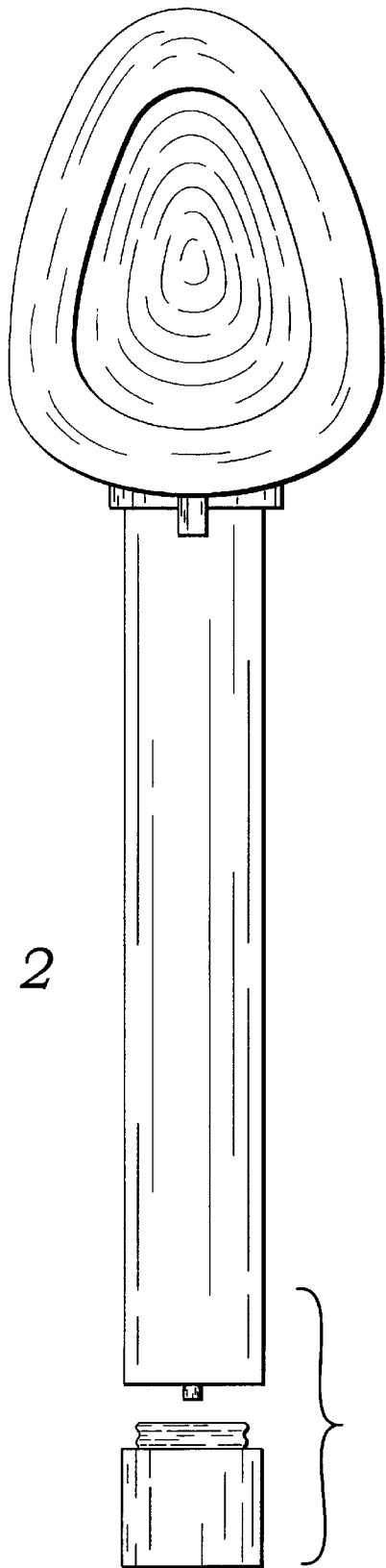


Fig. 2

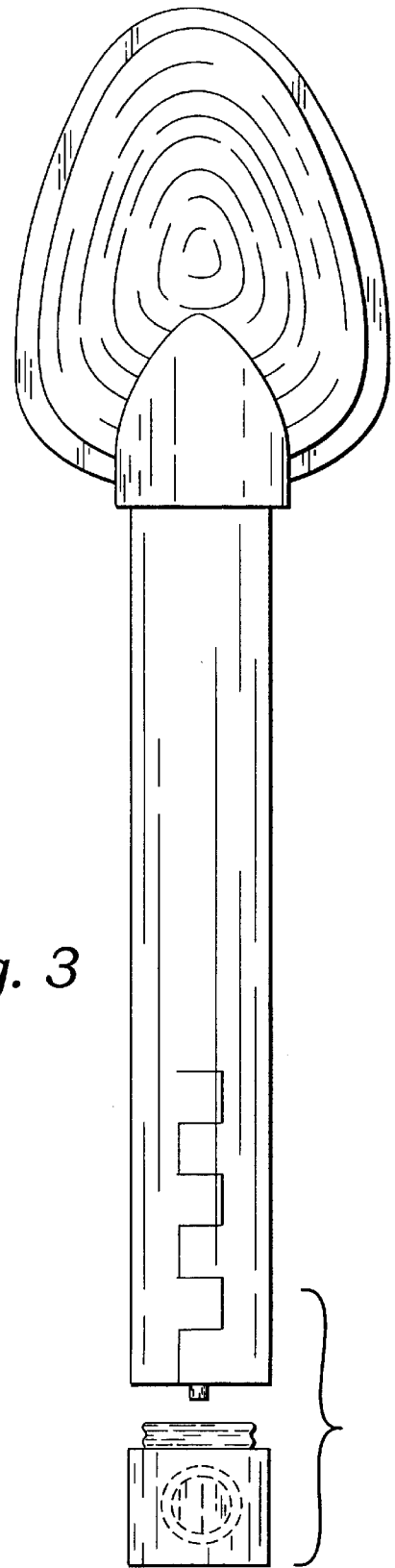


Fig. 3

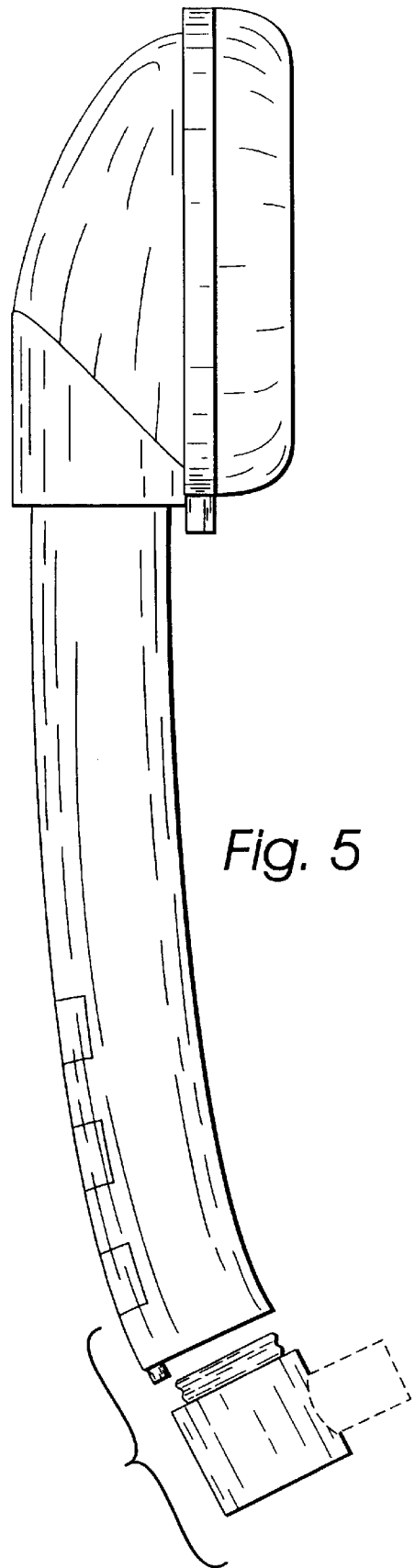
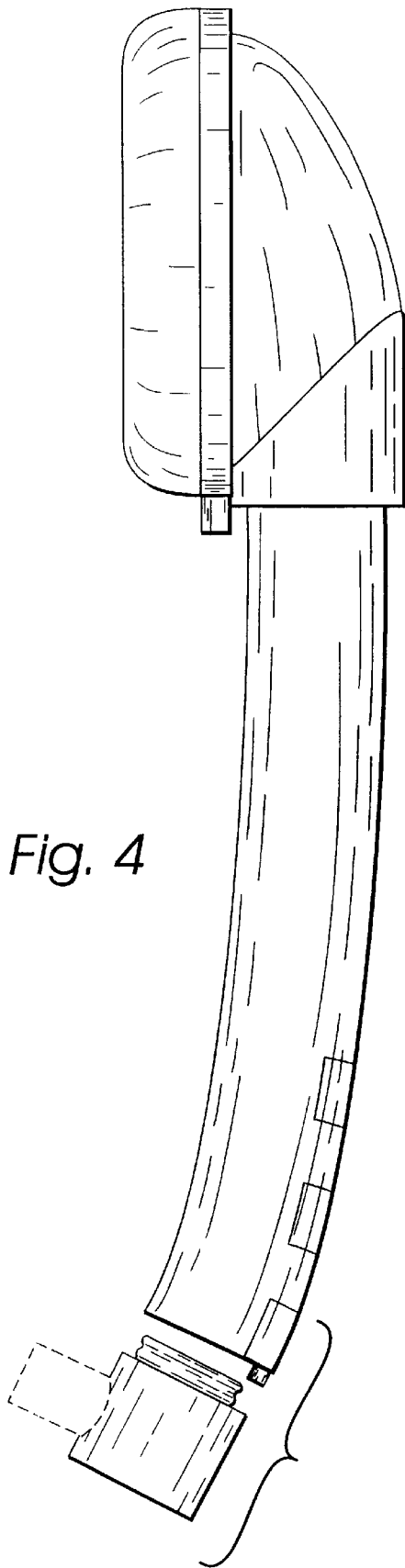


Fig. 6

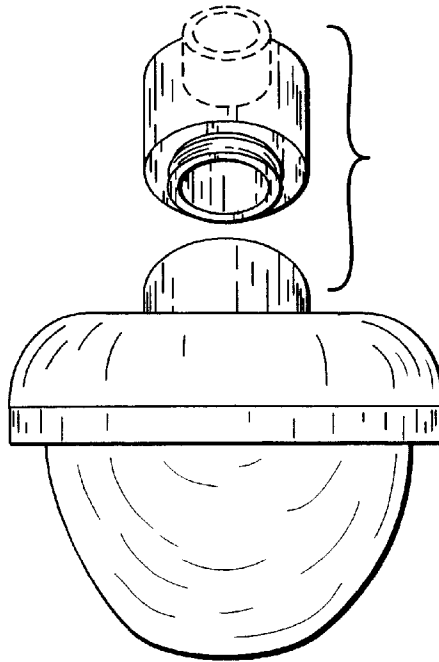


Fig. 7

