



US00D43631S

(12) **United States Design Patent**  
**Hanya**

(10) **Patent No.:** **US D436,331 S**

(45) **Date of Patent:** **\*\* Jan. 16, 2001**

(54) **TIRE FOR AUTOMOBILE**

(75) Inventor: **Masahiro Hanya**, Kobe (JP)

(73) Assignee: **Sumitomo Rubber Industries, Ltd.**,  
Kobe (JP)

(\*\*) Term: **14 Years**

(21) Appl. No.: **29/112,918**

(22) Filed: **Oct. 26, 1999**

(30) **Foreign Application Priority Data**

Jul. 26, 1999 (JP) ..... 11-20033

(51) **LOC (7) Cl.** ..... **12-15**

(52) **U.S. Cl.** ..... **D12/147**

(58) **Field of Search** ..... D12/138-152;  
152/209.1, 209.8, 209.9, 209.11, 209.13,  
209.28, 900, 901, 902, 903

(56) **References Cited**

**U.S. PATENT DOCUMENTS**

- D. 392,226 \* 3/1998 Howald et al. .... D12/141
- D. 397,975 \* 9/1998 Himuro ..... D12/147
- D. 409,958 \* 5/1999 Gerresheim et al. .... D12/147

**FOREIGN PATENT DOCUMENTS**

- M90 03 981 \* 11/1990 (DE) .
- 966799 10/1996 (JP) .

**OTHER PUBLICATIONS**

Bridgestone Potenza RE910 Tire, Modern Tire Dealer Magazine, p. 39, May 1998.\*

Bridgestone BT70S Tire, Modern Tire Dealer Magazine, p. 58, Jun. 1998.\*

Pirelli P6000 Tire, 1998 Tread Design Guide, p. 59. 1/1, May 1998.\*

\* cited by examiner

*Primary Examiner*—Robert M. Spear

(74) *Attorney, Agent, or Firm*—Pillsbury Madison & Sutro

(57) **CLAIM**

The ornamental design for a tire for automobile, as shown and described.

**DESCRIPTION**

FIG. 1 is a front view of a tire for automobile showing my new design;

FIG. 2 is a top plan view thereof;

FIG. 3 is a perspective view thereof;

FIG. 4 is a left side view thereof;

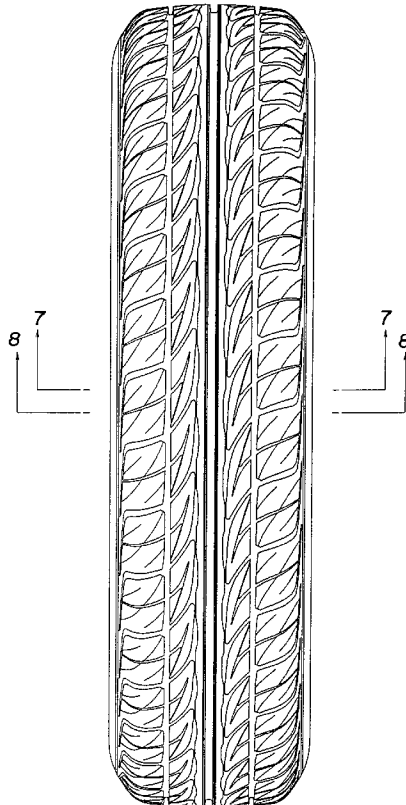
FIG. 5 is a right side view thereof;

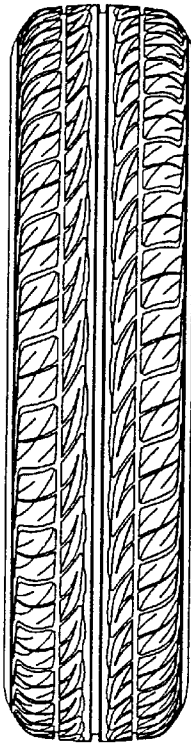
FIG. 6 is an enlarged front view thereof;

FIG. 7 is a cross-sectional view taken along line 7—7 of a front view thereof; and,

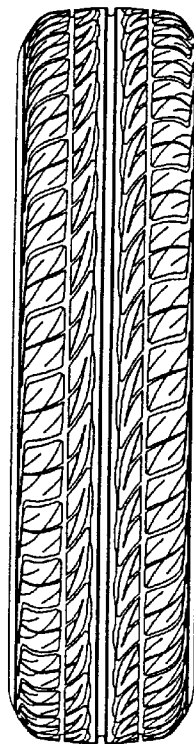
FIG. 8 is a cross-sectional view taken along line 8—8 of a front view thereof.

**1 Claim, 4 Drawing Sheets**

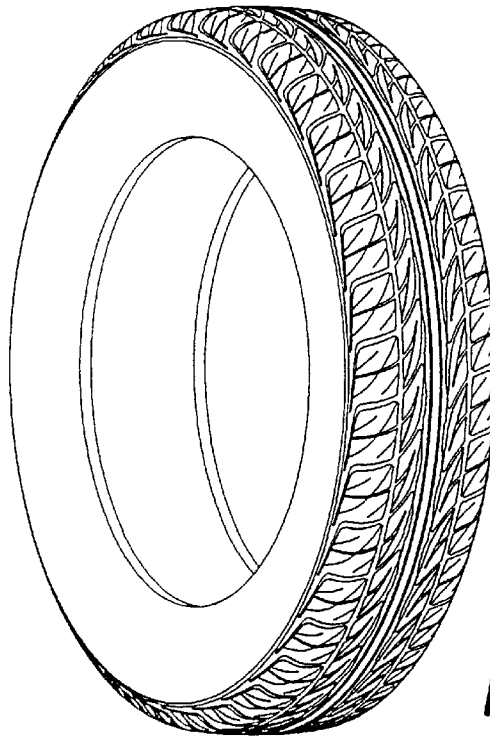




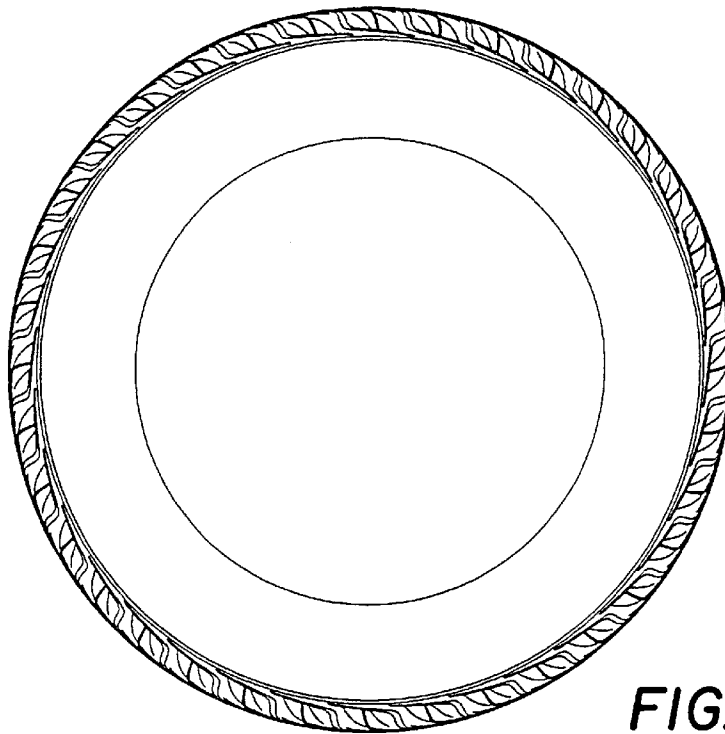
**FIG. 1**



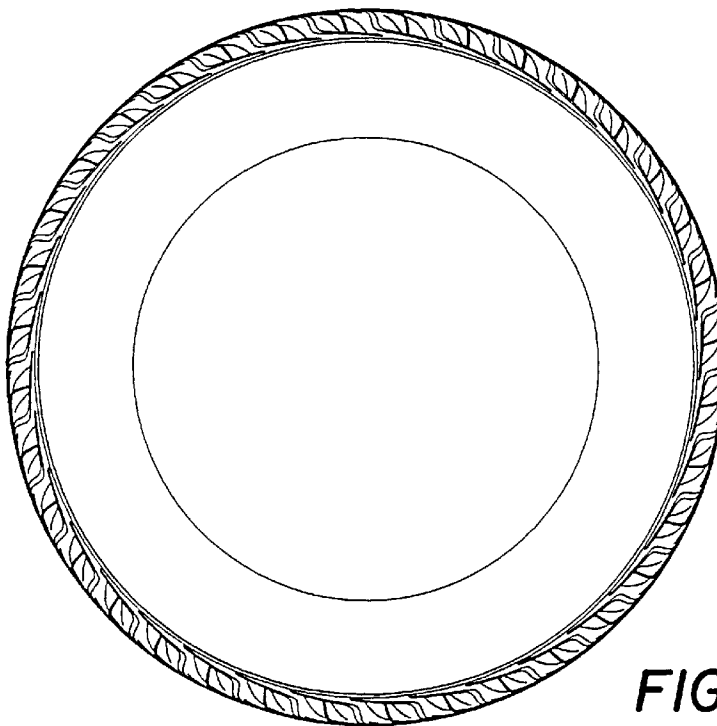
**FIG. 2**



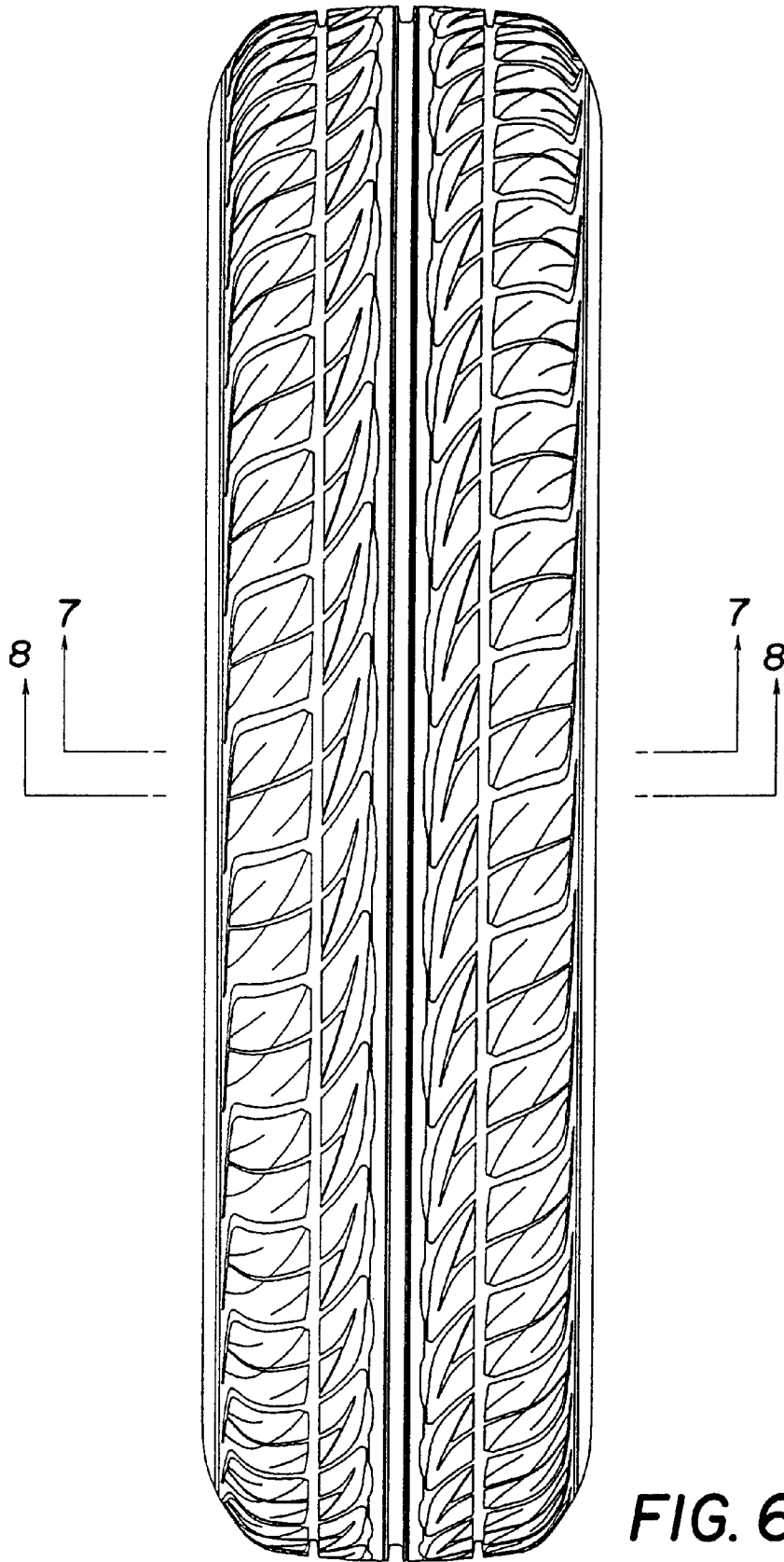
**FIG. 3**



**FIG. 4**



**FIG. 5**



**FIG. 6**

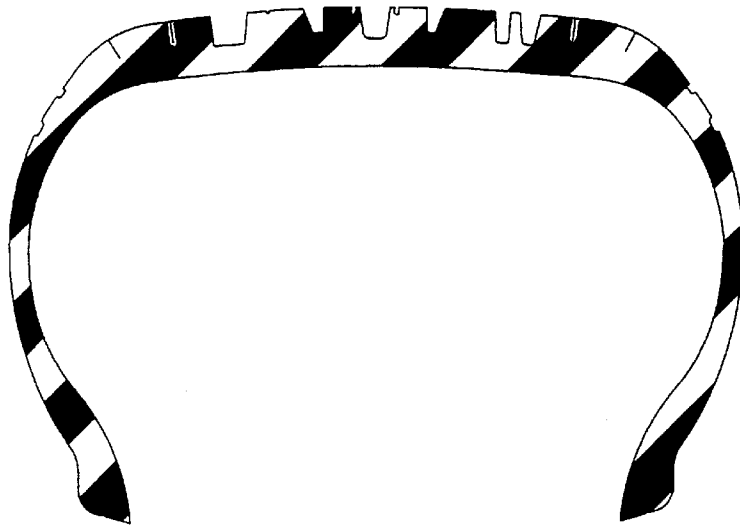


FIG. 7

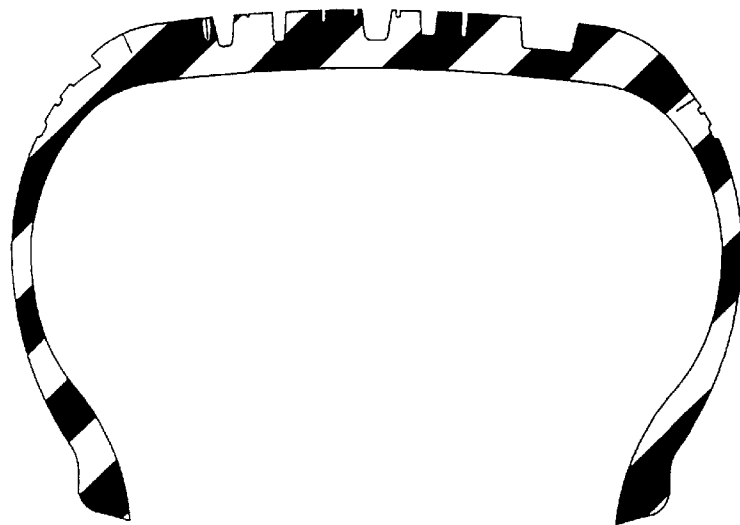


FIG. 8