

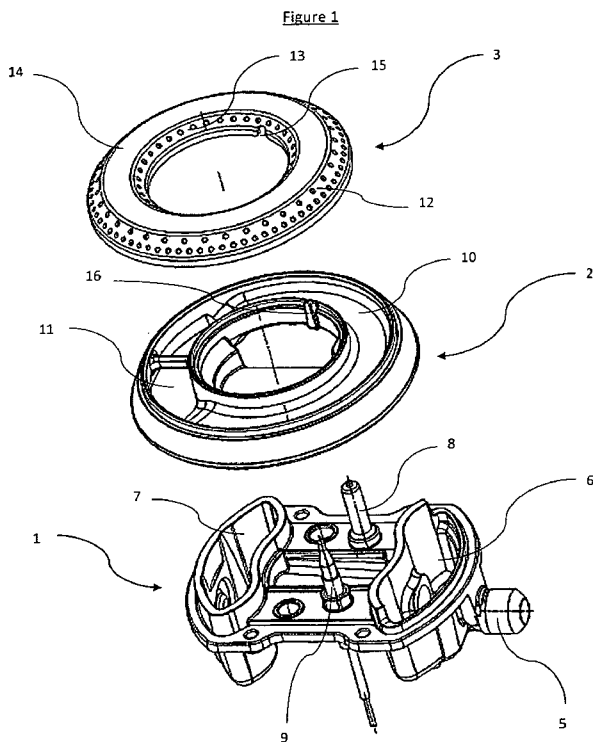


- (51) International Patent Classification:
F23D 14/06 (2006.01)
- (21) International Application Number:
PCT/EP2013/000277
- (22) International Filing Date:
30 January 2013 (30.01.2013)
- (25) Filing Language: English
- (26) Publication Language: English
- (30) Priority Data:
110/KOL/2012 1 February 2012 (01.02.2012) IN
201220031884.3 1 February 2012 (01.02.2012) CN
- (71) Applicant: SABAF S.P.A. [IT/IT]; Via Dei Carpini, 1, I-25035 Ospitaletto (BS) (IT).
- (72) Inventor: BETTINZOLI, Angelo; Via Donizetti, 25, I-25062 Concesio (BS) (IT).
- (74) Agent: MARIETTI, Andrea; Marietti, Gislon e Trupiano S.r.l., Via Larga, 16, 20122 Milan (IT).

- (81) Designated States (unless otherwise indicated, for every kind of national protection available): AE, AG, AL, AM, AO, AT, AU, AZ, BA, BB, BG, BH, BN, BR, BW, BY, BZ, CA, CH, CL, CN, CO, CR, CU, CZ, DE, DK, DM, DO, DZ, EC, EE, EG, ES, FI, GB, GD, GE, GH, GM, GT, HN, HR, HU, ID, IL, IN, IS, JP, KE, KG, KM, KN, KP, KR, KZ, LA, LC, LK, LR, LS, LT, LU, LY, MA, MD, ME, MG, MK, MN, MW, MX, MY, MZ, NA, NG, NI, NO, NZ, OM, PA, PE, PG, PH, PL, PT, QA, RO, RS, RU, RW, SC, SD, SE, SG, SK, SL, SM, ST, SV, SY, TH, TJ, TM, TN, TR, TT, TZ, UA, UG, US, UZ, VC, VN, ZA, ZM, ZW.
- (84) Designated States (unless otherwise indicated, for every kind of regional protection available): ARIPO (BW, GH, GM, KE, LR, LS, MW, MZ, NA, RW, SD, SL, SZ, TZ, UG, ZM, ZW), Eurasian (AM, AZ, BY, KG, KZ, RU, TJ, TM), European (AL, AT, BE, BG, CH, CY, CZ, DE, DK, EE, ES, FI, FR, GB, GR, HR, HU, IE, IS, IT, LT, LU, LV, MC, MK, MT, NL, NO, PL, PT, RO, RS, SE, SI, SK, SM, TR), OAPI (BF, BJ, CF, CG, CI, CM, GA, GN, GQ, GW, ML, MR, NE, SN, TD, TG).

[Continued on next page]

(54) Title: A GAS BURNER FOR A DOMESTIC COOKTOP



(57) Abstract: A gas burner for a domestic cooktop (100), of the type comprising a burner cup (1) suitable to be fixed to said cooktop (100) and provided with at least part of the structure for at least one primary-air gas mixer (4), a burner body (2) that may be joined to said burner cup (1), said burner body (2) comprising at least part of the structure for at least one primary air-gas mixture delivery chamber (10), and a burner cover (3) that may be joined to said burner body (2) to complete said at least one primary-air gas mixture delivery chamber (10), as well as at least one flame-spreader (12; 13) that is made in one piece with said burner cover (3). Advantageously, said burner cover (3) and said at least one flame-spreader (12; 13) are made in a steel, or iron, or iron-alloy sheet.



Published:

(88) Date of publication of the international search report:

23 January 2014

- *with international search report (Art. 21(3))*
- *before the expiration of the time limit for amending the claims and to be republished in the event of receipt of amendments (Rule 48.2(h))*

INTERNATIONAL SEARCH REPORT

International application No
PCT/EP2013/000277

A. CLASSIFICATION OF SUBJECT MATTER
INV. F23D14/06
ADD.
According to International Patent Classification (IPC) or to both national classification and IPC

B. FIELDS SEARCHED
Minimum documentation searched (classification system followed by classification symbols)
F23D

Documentation searched other than minimum documentation to the extent that such documents are included in the fields searched

Electronic data base consulted during the international search (name of data base and, where practicable, search terms used)
EPO-Internal, WPI Data

C. DOCUMENTS CONSIDERED TO BE RELEVANT

Category*	Citation of document, with indication, where appropriate, of the relevant passages	Relevant to claim No.
X A	EP 2 182 293 A1 (INDESIT CO SPA [IT]) 5 May 2010 (2010-05-05) paragraph [0002] - paragraph [0034]; claim 13; figures 1-3	1-4,7, 10-12 5,6,8,9
X	----- WO 2006/077058 A1 (OHG DEFENDI S R L [IT]; PAESANI CARLO [IT]) 27 July 2006 (2006-07-27) the whole document	1-4,6,7, 10-12
X	----- EP 2 090 826 A1 (BSH BOSCH SIEMENS HAUSGERAETE [DE]) 19 August 2009 (2009-08-19) abstract; figures 1-5 ----- -/--	1,4-9

Further documents are listed in the continuation of Box C.

See patent family annex.

* Special categories of cited documents :

- "A" document defining the general state of the art which is not considered to be of particular relevance
- "E" earlier application or patent but published on or after the international filing date
- "L" document which may throw doubts on priority claim(s) or which is cited to establish the publication date of another citation or other special reason (as specified)
- "O" document referring to an oral disclosure, use, exhibition or other means
- "P" document published prior to the international filing date but later than the priority date claimed

- "T" later document published after the international filing date or priority date and not in conflict with the application but cited to understand the principle or theory underlying the invention
- "X" document of particular relevance; the claimed invention cannot be considered novel or cannot be considered to involve an inventive step when the document is taken alone
- "Y" document of particular relevance; the claimed invention cannot be considered to involve an inventive step when the document is combined with one or more other such documents, such combination being obvious to a person skilled in the art
- "&" document member of the same patent family

Date of the actual completion of the international search 25 November 2013	Date of mailing of the international search report 05/12/2013
Name and mailing address of the ISA/ European Patent Office, P.B. 5818 Patentlaan 2 NL - 2280 HV Rijswijk Tel. (+31-70) 340-2040, Fax: (+31-70) 340-3016	Authorized officer Munteh, Louis

INTERNATIONAL SEARCH REPORT

International application No
PCT/EP2013/000277

C(Continuation). DOCUMENTS CONSIDERED TO BE RELEVANT		
Category*	Citation of document, with indication, where appropriate, of the relevant passages	Relevant to claim No.
X	CN 201 293 361 Y (BSH ELEC APPLIANCES JIANGSU CO [CN]) 19 August 2009 (2009-08-19) abstract; figure 3 -----	1,4-9
X	EP 2 216 595 A2 (BUTSIR S L [ES]) 11 August 2010 (2010-08-11) the whole document -----	1

INTERNATIONAL SEARCH REPORT

Information on patent family members

International application No

PCT/EP2013/000277

Patent document cited in search report	Publication date	Patent family member(s)	Publication date
EP 2182293	A1	05-05-2010	CN 101278154 A
			EA 200800976 A1
			EP 1934532 A1
			EP 2182293 A1
			JP 5064397 B2
			JP 2009510382 A
			US 2009277439 A1
			WO 2007036772 A1

WO 2006077058	A1	27-07-2006	BR PI0606674 A2
			EP 1838996 A1
			RU 2380614 C2
			WO 2006077058 A1

EP 2090826	A1	19-08-2009	CN 101509672 A
			EP 2090826 A1

CN 201293361	Y	19-08-2009	NONE

EP 2216595	A2	11-08-2010	EP 2216595 A2
			ES 1069583 U
