



US00D777670S

(12) **United States Design Patent** (10) **Patent No.:** **US D777,670 S**
Rothschild et al. (45) **Date of Patent:** **** Jan. 31, 2017**

(54) **STATOR LAMINATE** 3,942,055 A * 3/1976 Hoffmeyer H02K 3/28
310/184

(71) Applicant: **Penn United Technologies, Inc.**, Cabot, PA (US) 3,975,121 A 8/1976 Tschirky
4,592,427 A 6/1986 Morgan
D287,716 S * 1/1987 Iverson D13/122
5,755,284 A 5/1998 Hart et al.
5,832,604 A 11/1998 Johnson et al.
D522,455 S * 6/2006 Nishimura D13/122
D541,217 S * 4/2007 Tang D13/114
7,201,222 B2 4/2007 Kanady
D550,621 S * 9/2007 Vuorio D13/118
7,407,372 B2 8/2008 Guidry et al.
D576,942 S * 9/2008 Yoshikawa D13/118
D595,738 S * 7/2009 Shimokawa D15/5
7,633,205 B2 * 12/2009 Hoffmann H02K 1/165
180/65.51

(72) Inventors: **Jesse Benedict Rothschild**, St. Francisville, LA (US); **Dwight Patrick Jones**, Saxonburg, PA (US); **Mark Phillip Noah**, Butler, PA (US)

(73) Assignee: **Penn United Technologies, Inc.**, Cabot, PA (US)

(**) Term: **14 Years** D650,333 S * 12/2011 Su D13/122
D653,618 S * 2/2012 Qin D13/118
8,109,746 B2 2/2012 Guidry, Jr.

(21) Appl. No.: **29/525,834**

(22) Filed: **May 4, 2015**

(51) **LOC (10) Cl.** **13-01**

(52) **U.S. Cl.**
USPC **D13/122**

(58) **Field of Classification Search**
USPC D13/122, 101, 110, 112-118, 123, D13/162, 184, 199; D15/3, 5, 199; 74/606 R, 609; 310/10, 40 MM, 40 R, 42, 310/51, 52, 58, 64, 71, 80, 83, 85, 88, 89, 310/91, 109, 236, 239, 254; 318/244-5; 322/16, 29; 29/596-598
CPC F02B 63/04; H02K 3/24; H02K 3/47; H02K 1/16
See application file for complete search history.

(Continued)

OTHER PUBLICATIONS

Penn United Technologies, Inc. PCT/US2015/058921 International Search Report Feb. 2, 2016, 14 pages.

Primary Examiner — Derrick Holland
Assistant Examiner — Jennifer O King
(74) *Attorney, Agent, or Firm* — Eckert Seamans Cherin & Mellott, LLC; David C. Jenkins

(57) **CLAIM**

The ornamental design for a stator laminate, as shown and described.

DESCRIPTION

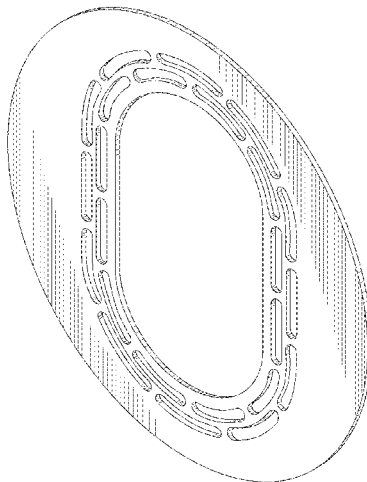
FIG. 1 is an isometric view of a stator laminate;
FIG. 2 is a front view thereof;
FIG. 3 is a back view thereof;
FIG. 4 is a top view thereof;
FIG. 5 is a bottom view thereof;
FIG. 6 is a right view thereof; and,
FIG. 7 is a left view thereof.

1 Claim, 4 Drawing Sheets

(56) **References Cited**

U.S. PATENT DOCUMENTS

1,892,217 A 12/1932 Moineau
2,818,515 A * 12/1957 Dolenc H02K 1/185
310/216.014
3,652,190 A * 3/1972 Keller F02B 55/02
384/559
3,652,192 A 3/1972 Kramer et al.
3,783,318 A * 1/1974 Widstrand H02K 1/165
310/216.014



(56)

References Cited

U.S. PATENT DOCUMENTS

8,147,228	B2	4/2012	Guidry, Jr.
8,215,014	B2	7/2012	Amburgey
8,636,485	B2	1/2014	Steele
8,905,733	B2	12/2014	Guidry, Jr.
2013/0149182	A1	6/2013	Sreshta et al.
2014/0134029	A1	5/2014	Coghlan, III et al.

* cited by examiner

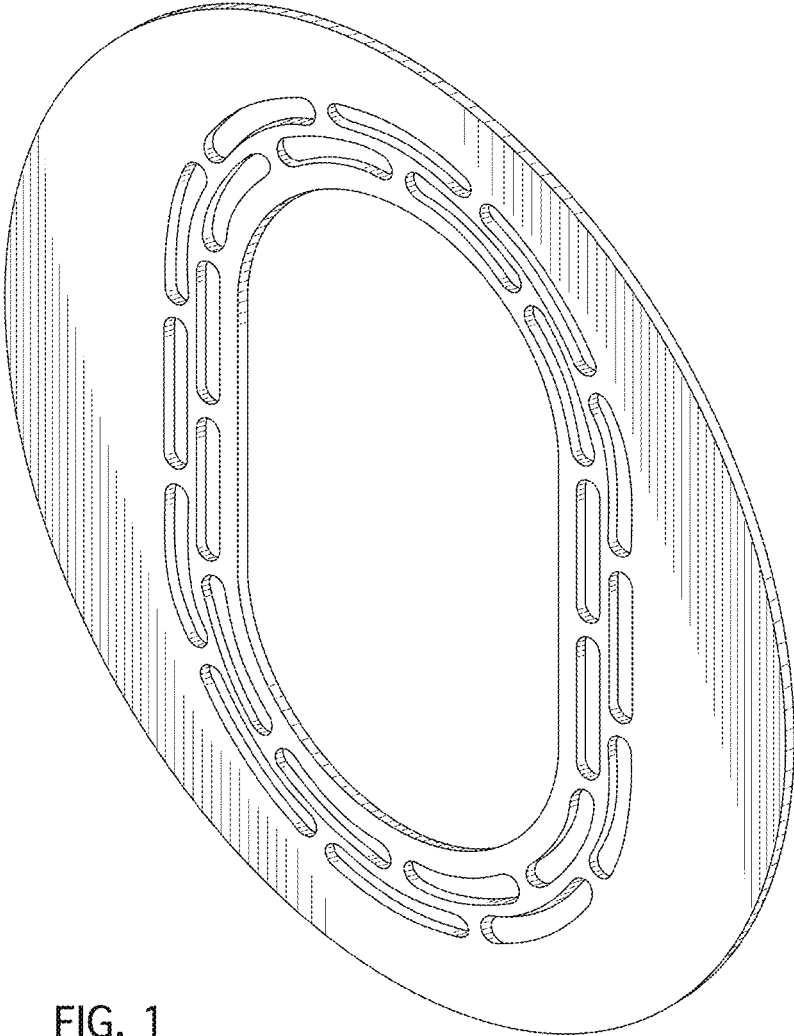


FIG. 1

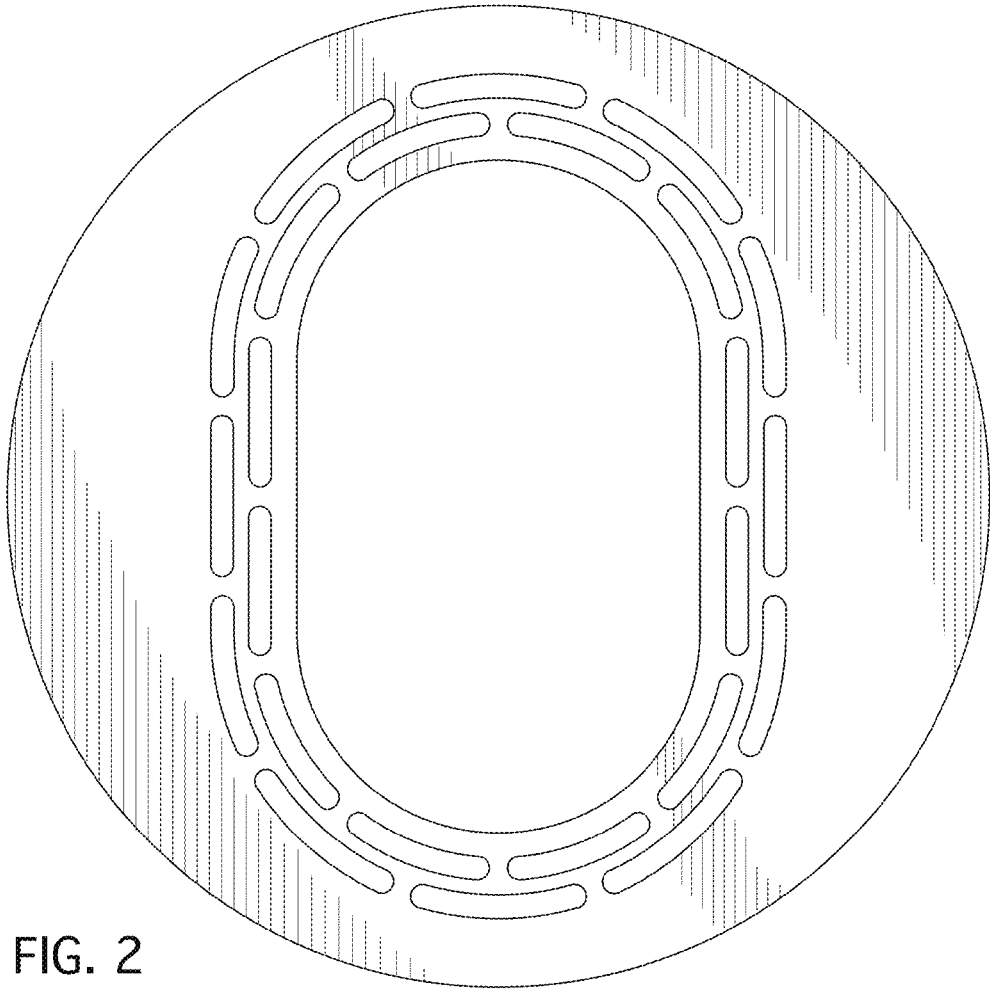


FIG. 2

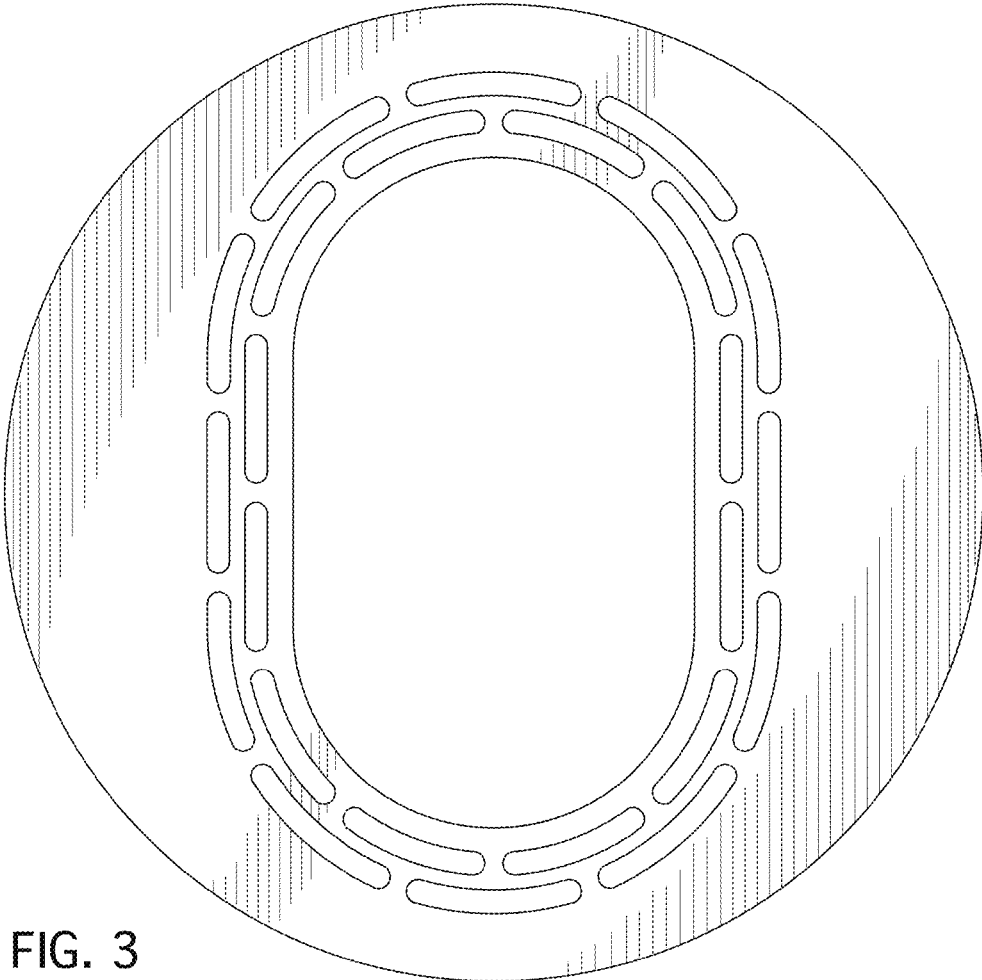


FIG. 3

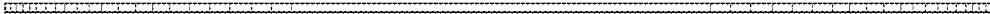


FIG. 4



FIG. 5



FIG. 6



FIG. 7