

(19) World Intellectual Property Organization
International Bureau



(43) International Publication Date
14 March 2002 (14.03.2002)

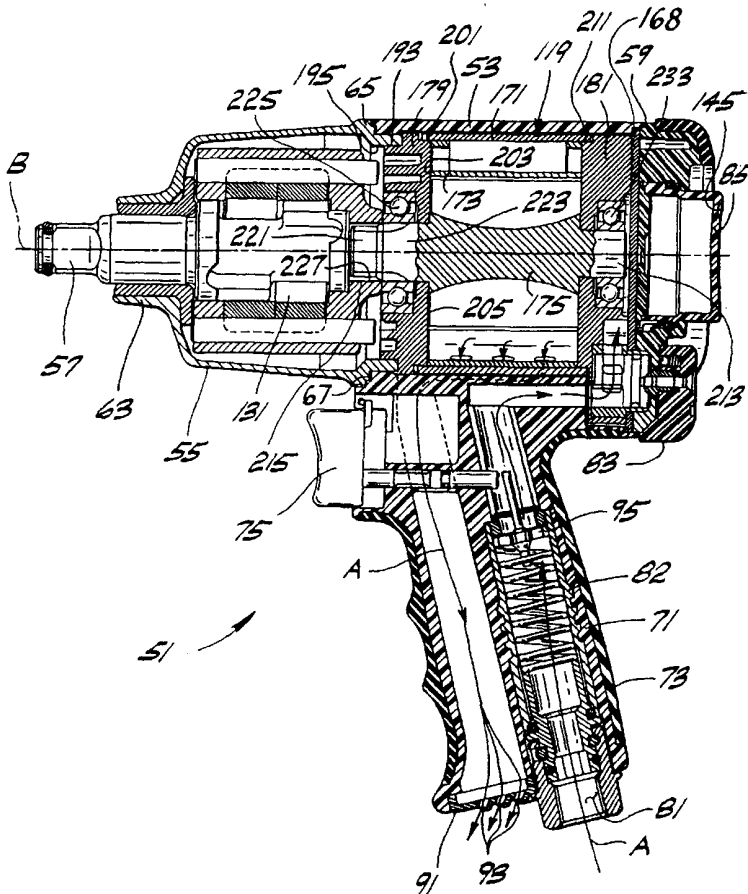
PCT

(10) International Publication Number
WO 02/20221 A3

- (51) International Patent Classification⁷: **B25B 21/00**, 21/02, B25F 5/02
- (21) International Application Number: PCT/IB01/01374
- (22) International Filing Date: 31 July 2001 (31.07.2001)
- (25) Filing Language: English
- (26) Publication Language: English
- (30) Priority Data:
60/231,013 8 September 2000 (08.09.2000) US
60/233,550 19 September 2000 (19.09.2000) US
60/239,754 12 October 2000 (12.10.2000) US
PCT/US01/02785 26 January 2001 (26.01.2001) US
- (71) Applicant (for all designated States except US): **S. P. AIR KABUSIKI KAISHA** [JP/JP]; 352-2, Mure, Kamiminouchi, Nagano Pref. 389-12 (JP).
- (72) Inventors; and
(75) Inventors/Applicants (for US only): **IZUMISAWA, Osamu** [JP/JP]; 2-24-10, Asahi-Chou, Nerima-Ku, Tokyo (JP). **YAMAMOTO, Kunihiko** [JP/JP]; c/o S.P. Air Kabushiki Kaisha, 325-2, Mure, Kamiminouchi, Nagano Pref., 389-12 (JP).
- (81) Designated States (national): CN, JP, US.
- (84) Designated States (regional): European patent (AT, BE, CH, CY, DE, DK, ES, FI, FR, GB, GR, IE, IT, LU, MC, NL, PT, SE, TR).
- Published:**
— with international search report
— before the expiration of the time limit for amending the claims and to be republished in the event of receipt of amendments

[Continued on next page]

(54) Title: PNEUMATIC ROTARY TOOL



(57) Abstract: A pneumatic rotary tool (51) has a housing (53) formed primarily from plastic so that the weight and price of the tool are substantially reduced. The air motor (119) is formed for economic assembly while permitting greater structural stability should the housing deflect under an impact. The tool includes a torque selector (85) which controls the amount of pressurized air allowed to enter the air motor, thereby controlling the torque output of the motor. The user may adjust the torque selector (85) to a number of set positions which correspond to discrete torque values. The tool additionally incorporates early and late stage exhaust ports, so that backpressure within the air motor does not slow motor rotation or decrease tool power.



WO 02/20221 A3



(88) Date of publication of the international search report:
27 June 2002

For two-letter codes and other abbreviations, refer to the "Guidance Notes on Codes and Abbreviations" appearing at the beginning of each regular issue of the PCT Gazette.

INTERNATIONAL SEARCH REPORT

International Application No PCT/IB 01/01374

A. CLASSIFICATION OF SUBJECT MATTER
 IPC 7 B25B21/00 B25B21/02 B25F5/02

According to International Patent Classification (IPC) or to both national classification and IPC

B. FIELDS SEARCHED

Minimum documentation searched (classification system followed by classification symbols)
 IPC 7 B25F B25B

Documentation searched other than minimum documentation to the extent that such documents are included in the fields searched

Electronic data base consulted during the international search (name of data base and, where practical, search terms used)

EPO-Internal

C. DOCUMENTS CONSIDERED TO BE RELEVANT

Category °	Citation of document, with indication, where appropriate, of the relevant passages	Relevant to claim No.
X	GB 1 204 718 A (GARDNER-DENVER COMPANY) 9 September 1970 (1970-09-09) the whole document ---	1
A	US 4 631 012 A (ECKMAN RICHARD E) 23 December 1986 (1986-12-23) column 2, line 31 - line 66; figure 1 ---	1
A	US 5 992 539 A (LIN CHEN-YANG) 30 November 1999 (1999-11-30) column 4, line 21 -column 5, line 40 ---	1
A	US 5 346 024 A (CLAPP JOHN M ET AL) 13 September 1994 (1994-09-13) cited in the application figure 1 -----	1

Further documents are listed in the continuation of box C. Patent family members are listed in annex.

° Special categories of cited documents:

A document defining the general state of the art which is not considered to be of particular relevance	*T* later document published after the international filing date or priority date and not in conflict with the application but cited to understand the principle or theory underlying the invention
E earlier document but published on or after the international filing date	*X* document of particular relevance; the claimed invention cannot be considered novel or cannot be considered to involve an inventive step when the document is taken alone
L document which may throw doubts on priority claim(s) or which is cited to establish the publication date of another citation or other special reason (as specified)	*Y* document of particular relevance; the claimed invention cannot be considered to involve an inventive step when the document is combined with one or more other such documents, such combination being obvious to a person skilled in the art.
O document referring to an oral disclosure, use, exhibition or other means	*&* document member of the same patent family
P document published prior to the international filing date but later than the priority date claimed	

Date of the actual completion of the international search 12 April 2002	Date of mailing of the international search report 19/04/2002
--	--

Name and mailing address of the ISA European Patent Office, P.B. 5818 Patentlaan 2 NL - 2280 HV Rijswijk Tel. (+31-70) 340-2040, Tx. 31 651 epo nl, Fax: (+31-70) 340-3016	Authorized officer Majerus, H
--	--------------------------------------

INTERNATIONAL SEARCH REPORT

Information on patent family members

International Application No

PCT/IB 01/01374

Patent document cited in search report	Publication date	Patent family member(s)	Publication date
GB 1204718	A	09-09-1970	DE 1603804 A1 17-02-1972
			FR 1552299 A 03-01-1969
			US 3443646 A 13-05-1969

US 4631012	A	23-12-1986	NONE

US 5992539	A	30-11-1999	NONE

US 5346024	A	13-09-1994	CA 2097616 A1 23-12-1993
			DE 69313367 D1 02-10-1997
			DE 69313367 T2 12-02-1998
			EP 0576186 A1 29-12-1993
			ES 2107623 T3 01-12-1997
			JP 6055461 A 01-03-1994
			KR 266359 B1 15-09-2000
