



US00D772465S

(12) **United States Design Patent**  
**Li et al.**

(10) **Patent No.:** **US D772,465 S**

(45) **Date of Patent:** **\*\* Nov. 22, 2016**

(54) **TROFFER-STYLE FIXTURE**

FOREIGN PATENT DOCUMENTS

(71) Applicant: **CREE HONG KONG LIMITED**,  
Shatin, New Territories (HK)

CN 1762061 4/2006  
CN 1934389 3/2007

(Continued)

(72) Inventors: **Chi Man Chris Li**, N.T. (HK); **Chi Hoi Felix Mung**, Kowloon (HK); **Ho Ching Gauss So**, Kowloon (HK); **Wai To Yan**, N.T. (HK)

OTHER PUBLICATIONS

Second Office Action and Search Report from Chinese Appl. No. 2011800529984, dated Dec. 26, 2014.

(Continued)

(73) Assignee: **CREE HONG KONG LIMITED**,  
Shatin, N.T. (HK)

*Primary Examiner* — Angela J Lee

(\*\*) Term: **14 Years**

(74) *Attorney, Agent, or Firm* — Koppel, Patrick, Heybl & Philpott

(21) Appl. No.: **29/481,156**

**CLAIM**

The ornamental design for a troffer-style fixture, as shown and described herein.

(22) Filed: **Feb. 2, 2014**

(51) **LOC (10) Cl.** ..... **26-05**

(52) **U.S. Cl.**

USPC ..... **D26/74**

(58) **Field of Classification Search**

USPC ..... D26/74, 24, 72, 75, 76, 78, 79, 81, 82,  
D26/88, 89, 91, 113, 118, 119, 120, 138,  
D26/141, 142

CPC ..... F21V 21/04; F21V 21/041; F21V 7/005;  
F21Y 2111/002; F21S 8/026; F21S 8/02

See application file for complete search history.

**DESCRIPTION**

FIGS. 1A-B are a top perspective view of a light fixture according to an embodiment of the present invention. FIGS. 2A-B are a bottom perspective view of a light fixture according to an embodiment of the present invention. FIGS. 3A-B are a front elevation view of a light fixture according to an embodiment of the present invention. FIGS. 4A-B are a right side elevation view of a light fixture according to an embodiment of the present invention. FIGS. 5A-B are a rear elevation view of a light fixture according to an embodiment of the present invention. FIGS. 6A-B are a left side elevation view of a light fixture according to an embodiment of the present invention. FIGS. 7A-B are a top plan view of a light fixture according to an embodiment of the present invention; and, FIGS. 8A-B are a bottom plan view of a light fixture according to an embodiment of the present invention. Elements of the fixtures in the attached figures are in broken lines for illustrative purposes only and form no part of the claimed design.

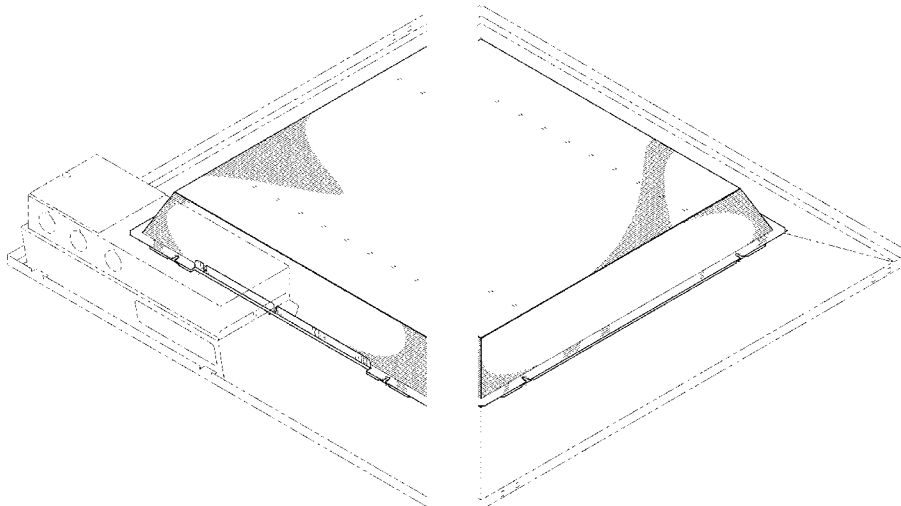
(56) **References Cited**

U.S. PATENT DOCUMENTS

D85,382 S	10/1931	Guth	.....	D26/24
2,356,654 A	8/1944	Cullman	.....	200/84 C
3,381,124 A	4/1968	Eisenberg	.....	362/354
4,939,627 A	7/1990	Herst et al.	.....	362/299
5,025,356 A	6/1991	Gawad	.....	362/221
5,526,190 A	6/1996	Hubble, III	.....	347/102
5,823,663 A	10/1998	Bell et al.	.....	362/362

(Continued)

**1 Claim, 12 Drawing Sheets**



(56)

## References Cited

## U.S. PATENT DOCUMENTS

D407,473 S *	3/1999	Wimbock	D23/328	8,317,354 B2	11/2012	Gassner et al.	362/147
6,149,283 A	11/2000	Conway et al.	362/236	D677,821 S *	3/2013	Jeon	D26/74
6,155,699 A	12/2000	Miller et al.	362/293	D679,848 S *	4/2013	Pickard et al.	D26/74
6,210,025 B1	4/2001	Schmidt et al.	362/362	8,410,514 B2	4/2013	Kim	257/99
6,234,643 B1	5/2001	Lichon, Jr.	362/147	D684,291 S	6/2013	Goelz et al.	D26/74
6,402,347 B1	6/2002	Maas et al.	362/294	8,480,252 B2	7/2013	Bertram et al.	362/243
6,443,598 B1	9/2002	Morgan	362/342	8,506,135 B1	8/2013	Oster	362/373
6,523,974 B2	2/2003	Engel	362/224	8,556,452 B2	10/2013	Simon	362/217.07
6,578,979 B2	6/2003	Truttmann-Battig	362/92	8,591,058 B2	11/2013	Concepcion	362/231
6,598,998 B2	7/2003	West	257/E33.073	8,591,071 B2	11/2013	Hochstein	362/294
D496,121 S	9/2004	Santoro	D26/74	D696,449 S *	12/2013	Boyer et al.	D26/74
6,871,983 B2	3/2005	Jacob et al.	362/364	8,602,601 B2	12/2013	Khazi	362/249.02
6,948,838 B2	9/2005	Kunstler	362/237	8,616,723 B2	12/2013	Zhang	362/218
6,948,840 B2	9/2005	Grenda et al.	362/555	D698,975 S *	2/2014	Blessitt et al.	D26/74
6,951,415 B2	10/2005	Amano	362/297	D699,386 S *	2/2014	Park et al.	D26/118
7,021,797 B2	4/2006	Minano et al.	362/355	8,641,243 B1	2/2014	Rashidi	362/373
7,049,761 B2	5/2006	Timmermans et al.	315/246	D701,988 S *	4/2014	Clements	D26/74
7,063,449 B2	6/2006	Ward	345/102	8,696,154 B2	4/2014	Hutchens	362/217.05
7,111,969 B2	9/2006	Bottesch	362/299	8,702,264 B1	4/2014	Rashidi	362/147
7,175,296 B2	2/2007	Cok	362/147	8,764,244 B2	7/2014	Jeon	362/218
7,213,940 B1	5/2007	Van de Ven et al.	362/231	D714,988 S	10/2014	Park et al.	D26/74
7,217,004 B2	5/2007	Park	362/240	D721,198 S	1/2015	Glasbrenner	D26/76
7,237,924 B2	7/2007	Martineau et al.	362/231	D732,233 S *	6/2015	Reynolds	D26/118
D556,358 S *	11/2007	Santoro	D26/74	9,052,075 B2	6/2015	Demuynck et al.	
7,338,182 B1	3/2008	Hastings et al.	362/150	2003/0063476 A1	4/2003	English et al.	
7,341,358 B2	3/2008	Hsieh	362/97.1	2004/0001344 A1	1/2004	Hecht	362/555
7,510,299 B2	3/2009	Timmermans et al.	362/225	2004/0085779 A1	5/2004	Pond et al.	362/516
7,520,636 B2	4/2009	Van der Poel	362/290	2004/0100796 A1	5/2004	Ward	
D593,246 S	5/2009	Fowler et al.	D26/76	2004/0240230 A1	12/2004	Kitajima	362/558
7,559,672 B1	7/2009	Parkyn et al.	362/244	2005/0180135 A1	8/2005	Mayer	362/240
7,594,736 B1	9/2009	Kassay et al.	362/225	2005/0264716 A1	12/2005	Kim et al.	
D604,446 S	11/2009	Fowler et al.	D26/76	2005/0281023 A1	12/2005	Gould	362/217
7,618,157 B1	11/2009	Galvez et al.	362/294	2006/0221611 A1	10/2006	No	362/247
7,618,160 B2	11/2009	Chinniah et al.	362/326	2006/0262521 A1	11/2006	Pieprgras et al.	362/149
D608,932 S	1/2010	Castelli	D26/76	2006/0291206 A1	12/2006	Angelini et al.	362/244
7,654,702 B1	2/2010	Ding et al.	362/294	2007/0070625 A1	3/2007	Bang	362/240
7,661,844 B2	2/2010	Sekiguchi et al.	362/249.02	2007/0109779 A1	5/2007	Sekiguchi et al.	
D611,183 S	3/2010	Duarte	D26/76	2007/0115670 A1	5/2007	Roberts et al.	
7,674,005 B2	3/2010	Chung et al.	362/223	2007/0115671 A1	5/2007	Roberts et al.	
7,686,470 B2	3/2010	Chiang	362/147	2007/0211457 A1	9/2007	Mayfield et al.	362/223
7,686,484 B2	3/2010	Heiking et al.	362/375	2007/0253205 A1	11/2007	Welker	362/373
7,712,918 B2	5/2010	Siemiet et al.	362/241	2007/0297181 A1	12/2007	Mayfield et al.	362/342
7,722,220 B2	5/2010	Van de Ven	362/294	2008/0019147 A1	1/2008	Erchak	362/607
7,722,227 B2	5/2010	Zhang et al.	362/364	2008/0049422 A1	2/2008	Trenchard et al.	362/238
D617,487 S	6/2010	Fowler et al.	D26/76	2008/0232093 A1	9/2008	Kim	362/147
7,768,192 B2	8/2010	Van de Ven et al.	313/503	2008/0278943 A1	11/2008	Van Der Poel	362/240
7,815,338 B2	10/2010	Siemiet et al.	362/218	2009/0034247 A1	2/2009	Boyer	362/225
7,824,056 B2	11/2010	Madireddi et al.	362/125	2009/0073693 A1	3/2009	Nail	362/249.02
7,828,468 B2	11/2010	Mayfield et al.	362/342	2009/0161356 A1	6/2009	Negley et al.	362/231
D633,247 S	2/2011	Kong et al.	D26/88	2009/0168439 A1	7/2009	Chiang	362/404
7,922,354 B2	4/2011	Everhart	362/235	2009/0196024 A1	8/2009	Heiking et al.	362/150
7,926,982 B2	4/2011	Liu	362/294	2009/0225543 A1	9/2009	Roberts et al.	
7,988,321 B2	8/2011	Wung et al.	362/218	2009/0237958 A1	9/2009	Kim	
7,988,335 B2	8/2011	Liu et al.	362/294	2009/0262543 A1	10/2009	Ho	362/373
7,991,257 B1	8/2011	Coleman		2009/0296388 A1	12/2009	Wu et al.	362/235
7,993,034 B2	8/2011	Wegner	362/296.05	2009/0310354 A1	12/2009	Zampini et al.	362/235
7,997,762 B2	8/2011	Wang et al.	362/249	2009/0323334 A1	12/2009	Roberts et al.	
8,038,314 B2	10/2011	Ladewig		2010/0061108 A1	3/2010	Zhang et al.	362/364
8,038,321 B1	10/2011	Franck et al.	362/249.02	2010/0097794 A1	4/2010	Teng et al.	362/231
8,058,659 B2	11/2011	Bisberg		2010/0103678 A1	4/2010	Van de Ven et al.	362/294
8,070,326 B2	12/2011	Lee	362/307	2010/0110679 A1	5/2010	Teng et al.	
D653,376 S *	1/2012	Kong et al.	D26/76	2010/0172133 A1	7/2010	Liu	362/235
8,092,043 B2	1/2012	Lin et al.	362/249.02	2010/0177532 A1	7/2010	Simon et al.	
8,092,049 B2	1/2012	Kinnune et al.	362/294	2010/0188609 A1	7/2010	Matsuki et al.	
8,096,671 B1	1/2012	Cronk	362/147	2010/0253591 A1	10/2010	Hwu et al.	345/1.3
D657,488 S	4/2012	Lown et al.	D26/120	2010/0254128 A1	10/2010	Pickard et al.	362/231
8,162,504 B2	4/2012	Zhang et al.	362/217	2010/0254145 A1	10/2010	Yamaguchi	
8,186,855 B2	5/2012	Wassel et al.	362/373	2010/0254146 A1	10/2010	McCanless	
8,197,086 B2	6/2012	Watanabe et al.	362/218	2010/0270903 A1	10/2010	Jao et al.	313/46
8,201,968 B2	6/2012	Maxik et al.		2010/0271843 A1	10/2010	Holten et al.	362/609
D664,699 S *	7/2012	Nakahira et al.	D26/74	2010/0277905 A1	11/2010	Janik et al.	362/235
8,215,799 B2	7/2012	Vanden Eynden et al.	362/294	2010/0277934 A1	11/2010	Oquendo, Jr.	362/433
8,246,219 B2	8/2012	Teng	362/217.02	2010/0295468 A1	11/2010	Pedersen et al.	315/294
8,256,927 B2	9/2012	Hu	362/218	2010/0327768 A1	12/2010	Kong et al.	315/294
D670,849 S	11/2012	Lay et al.	D26/74	2011/0032714 A1	2/2011	Chang	362/373
				2011/0043132 A1	2/2011	Kim et al.	362/235
				2011/0090671 A1	4/2011	Bertram et al.	362/84
				2011/0141722 A1	6/2011	Acampora et al.	362/218
				2011/0141734 A1	6/2011	Li	362/235

(56)

## References Cited

## U.S. PATENT DOCUMENTS

2011/0156584	A1	6/2011	Kim	315/32
2011/0164417	A1	7/2011	Huang	362/235
2011/0175533	A1	7/2011	Homan	315/130
2011/0199005	A1	8/2011	Bretschneider et al.	
2011/0199769	A1	8/2011	Bretschneider et al.	
2011/0246146	A1	10/2011	Kauffman et al.	703/2
2011/0255292	A1	10/2011	Shen	362/311
2011/0267810	A1	11/2011	Higman et al.	362/218
2011/0267823	A1	11/2011	Angelini et al.	362/277
2011/0305024	A1	12/2011	Chang	362/294
2012/0033420	A1	2/2012	Kim et al.	362/235
2012/0038289	A1	2/2012	Jee et al.	315/291
2012/0051041	A1	3/2012	Edmond et al.	362/231
2012/0127714	A1	5/2012	Rehn	
2012/0134146	A1	5/2012	Smith	362/225
2012/0140442	A1	6/2012	Woo	362/95
2012/0140461	A1	6/2012	Pickard	
2013/0235568	A1	9/2013	Green et al.	362/218
2013/0258652	A1	10/2013	Hsieh	362/225
2014/0265930	A1	9/2014	Harris	315/307
2014/0268692	A1*	9/2014	Edmond et al.	362/145
2014/0268747	A1*	9/2014	Demuyne et al.	362/235
2015/0016100	A1	1/2015	Ishii	362/223

## FOREIGN PATENT DOCUMENTS

CN	1963289	A	5/2007
CN	101188261		5/2008
CN	101660715		3/2010
CN	101776254		7/2010
CN	101776254	A	7/2010
CN	101790660		7/2010
CN	101790660	A	7/2010
CN	102072443		5/2011
CN	202580962		12/2012
DE	102007030186		1/2009
DE	202010001832		7/2010
EP	1298383	A2	4/2003
EP	1357335	A2	10/2003
EP	1653254		5/2006
EP	1737051		12/2006
EP	1847762	A2	10/2007
EP	1860467		11/2007
EP	2287520	A2	2/2011
EP	2290690	A2	3/2011
EP	2636945	A2	9/2013
GB	774198		5/1957
JP	1069809		3/1998
JP	2002344027		11/2002
JP	U3097327		8/2003
JP	2004140327		5/2004
JP	2004345615		12/2004
JP	2004345615	A	12/2004
JP	2006173624		6/2006
JP	3151501	U	6/2009
JP	2009295577		12/2009
JP	2010103687		5/2010
JP	2011018571		8/2011
JP	2011018572		8/2011
JP	2006173624		6/2016
JP	2008147044		6/2016
TW	200524186		7/2005
TW	200524186	A	7/2005
TW	200914759	A	4/2009
TW	201018826		5/2010
TW	201018826	A	5/2010
WO	WO03102467		11/2003
WO	WO03102467		12/2003
WO	WO2009030233		3/2009
WO	WO2009140761	A1	11/2009
WO	WO2009157999		12/2009
WO	WO2009157999	A	12/2009
WO	WO2009157999	A1	12/2009
WO	2010024583	A2	3/2010
WO	WO2010024583		3/2010

WO	WO2010042216		4/2010
WO	WO2010042216	A2	4/2010
WO	WO2011074424	A1	6/2011
WO	WO2011096098	A1	8/2011
WO	WO2011098191		8/2011
WO	WO2011118991	A2	9/2011
WO	WO2011140353	A2	11/2011

## OTHER PUBLICATIONS

Grant Notice from European Appl. No. 13701525.1, dated Nov. 19, 2014.

International Report and Written Opinion from PCT/US2013/049225, dated Jan. 22, 2015.

Office Action from U.S. Appl. No. 13/828,348, dated Nov. 20, 2014.

Office Action from U.S. Appl. No. 12/873,303, dated Nov. 28, 2014.

Office Action from U.S. Appl. No. 13/464,745, dated Dec. 10, 2014.

Office Action from U.S. Appl. No. 13/341,741, dated Dec. 24, 2014.

Office Action from U.S. Appl. No. 13/189,535, dated Jan. 13, 2015.

First Official Action from European Patent Appl. No. 12 743 003.1-1757, dated Jan. 16, 2015.

Office Action from U.S. Appl. No. 13/464,745, dated Feb. 12, 2014.

Office Action from U.S. Appl. No. 13/453,924, dated Feb. 19, 2014.

Office Action from U.S. Appl. No. 13/341,741, dated Jan. 14, 2014.

Office Action from U.S. Appl. No. 13/370,252, dated Dec. 20, 2013.

Cree LR24 Architectural LED troffer product information. 2 pages. available at [www.cree.com/lighting](http://www.cree.com/lighting).

Preliminary Report and Written Opinion from PCT appl. No. PCT/US2012/047084, dated Feb. 6, 2014.

Office Action from U.S. Appl. No. 13/787,727, dated Jan. 29, 2015.

Office Action from U.S. Appl. No. 13/429,080, dated Feb. 18, 2015.

Office Action from U.S. Appl. No. 13/453,924, dated Mar. 10, 2015.

Office Action from U.S. Appl. No. 13/429,080, dated Apr. 18, 2014.

Office Action from U.S. Appl. No. 12/961,385, dated Mar. 11, 2014.

Reasons for Rejection from Japanese Patent Appl. No. 2013-543207, dated May 20, 2014.

First Office Action from Chinese Patent Appl. No. 2011800529984, dated May 4, 2014.

Office Action from U.S. Appl. No. 13/544,662, dated May 5, 2014.

Office Action from U.S. Appl. No. 13/844,431, dated May 15, 2014.

Office Action from U.S. Appl. No. 13/341,741, dated Jun. 6, 2014.

International Preliminary Report on Patentability from PCT/US2012/071800 dated Jul. 10, 2014.

Office Action from U.S. Appl. No. 13/189,535, dated Jun. 20, 2014.

Office Action from U.S. Appl. No. 13/453,924, dated Jun. 25, 2014.

Office Action from U.S. Appl. No. 13/443,630, dated Jul. 1, 2014.

Communication from European Patent Appl. No. 13701525.1-1757, dated Sep. 26, 2014.

Decision of Rejection from Japanese Appl. No. 2013-543207, dated Nov. 25, 2014.

Office Action from Mexican Appl. No. 100881, dated Nov. 28, 2014.

Grant Notice from European Appl. No. 13701525.1-1757, dated Nov. 24, 2014.

Preliminary Report on Patentability from PCT/US2013/035668, dated Oct. 14, 2014.

Office Action from U.S. Appl. No. 13/442,746, dated Sep. 15, 2014.

Office Action from U.S. Appl. No. 13/429,080, dated Sep. 16, 2014.

Office Action from U.S. Appl. No. 13/844,431, dated Oct. 10, 2014.

Office Action from U.S. Appl. No. 13/443,630, dated Oct. 10, 2014.

Office Action from U.S. Appl. No. 13/368,217, dated Oct. 22, 2014.

Office Action from U.S. Appl. No. 12/961,385, dated Nov. 6, 2014.

Office Action from U.S. Appl. No. 13/453,924, dated Nov. 7, 2014.

Office Action from U.S. Appl. No. 13/464,745, dated Jul. 16, 2014.

International Preliminary Report on Patentability and Written Opinion from PCT/US2013/021053, dated Aug. 21, 2014.

U.S. Appl. No. 14/145,559, filed Dec. 31, 2013, Lui, et al.

U.S. Appl. No. 12/463,709, filed May 11, 2009, Donofrio, et al.

U.S. Appl. No. 11/656,759, filed Jan. 22, 2007, Chitnis, et al.

U.S. Appl. No. 11/899,790, filed Sep. 7, 2007, Chitnis, et al.

U.S. Appl. No. 12/566,195, filed Sep. 24, 2009, Van de Ven, et al.

U.S. Appl. No. 12/704,730, filed Feb. 12, 2010, Van de Ven, et al.

U.S. Appl. No. 14/145,355, filed Dec. 31, 2013, Van de Ven, et al.

(56)

**References Cited**

## OTHER PUBLICATIONS

- U.S. Appl. No. 13/828,348, filed Mar. 14, 2013, Edmond, et al.  
 U.S. Appl. No. 13/345,215, filed Jan. 6, 2012, Lu, et al.  
 White971 film Technical Data Sheet from WhiteOptics, LLC of New Castel.  
 Office Action from Japanese Design Patent Application No. 2011-18570.  
 Reason for Rejection from Japanese Design Patent Application No. 2011-18571.  
 Reason for Rejection from Japanese Design Patent Application No. 2011-18572.  
 International Search Report and Written Opinion for PCT Application No. PCT/US2011/062396, dated Jul. 13, 2012.  
 U.S. Appl. No. 12/873,303, filed Aug. 31, 2010 to Edmond, et al.  
 U.S. Appl. No. 12/961,385, filed Dec. 6, 2010 to Pickard, et al.  
 Cree's XLamp XP-E LED's, data sheet, pp. 1-17.  
 Cree's XLamp XP-G LED's, data sheet, pp. 1-12.  
 International Search Report and Written Opinion for Patent Application No. PCT/US2011/001517, dated: Feb. 27, 2012.  
 U.S. Appl. No. 12/418,796, filed Apr. 6, 2009.  
 U.S. Appl. No. 13/429,080, filed Mar. 23, 2012.  
 U.S. Appl. No. 13/028,946, filed Feb. 16, 2011.  
 U.S. Appl. No. 13/306,589, filed Nov. 29, 2011.  
 U.S. Appl. No. 13/649,052, filed Oct. 10, 2012, Lowes, et al.  
 U.S. Appl. No. 13/649,067, filed Oct. 10, 2012, Lowes, et al.  
 U.S. Appl. No. 13/207,204, filed Aug. 10, 2011, Athalye, et al.  
 U.S. Appl. No. 13/365,844.  
 U.S. Appl. No. 13/662,618, filed Oct. 29, 2012, Athalye, et al.  
 U.S. Appl. No. 13/462,388, filed May 2, 2012.  
 U.S. Appl. No. 13/842,150, filed Mar. 15, 2013, Dixon, et al.  
 U.S. Appl. No. 13/770,389, filed Feb. 19, 2013, Lowes, et al.  
 U.S. Appl. No. 13/782,820, filed Mar. 1, 2013, Dixon, et al.  
 XLamp® C family from Cree®, Inc., Product Family Data Sheet, 15 pages.  
 XLamp® M family from Cree®, Inc., Product Family Data Sheet, 14 pages.  
 XLamp® X family from Cree®, Inc., Product Family Data Sheet, 17 pages.  
 Energy Star® Program Requirements for Solid State Lighting Luminaires, Eligibility Criteria—Version 1.1, final: Dec. 19, 2008. Assist Recommends . . . LED Life for General Lighting: Definition of Life, vol. 1, Issue 1. Feb. 2005.  
 "IES Approved Method for Measuring Lumen Maintenance of LED light Sources", Sep. 22, 2008, ISBN No. 978-0-87995-227-3, (LM-80).  
 International Search Report and Written Opinion from PCT Application No. PCT/US2013/021053, dated Apr. 17, 2013.  
 Search Report and Written Opinion from PCT Patent Appl. No. PCT/US2012/047084, dated Feb. 27, 2013.  
 Search Report and Written Opinion from PCT Patent Appl. No. PCT/US2012/071800, dated Mar. 25, 2013.  
 U.S. Appl. No. 12/074,762, filed Mar. 2008, Jacobson, et al.  
 U.S. Appl. No. 13/442,311, filed Apr. 2012, Lu, et al.  
 U.S. Appl. No. 13/763,270, filed Feb. 2010, Heeter, et al.  
 Citadel(tm) SLP Lighting (<http://www.slplighting.com/enclosures.html>).  
 Final Rejection issued in Korean Design Appl. No. 30-2011-0038114, dated Jun. 14, 2013.  
 Final Rejection issued in Korean Design Appl. No. 30-2011-0038115, dated Jun. 14, 2013.  
 Final Rejection issued in Korean Design Appl. No. 30-2011-0036116, dated Jun. 17, 2013.  
 International Search Report and Written Opinion from PCT Patent Appl. No. PCT/US2013/035668, dated Jul. 12, 2013.  
 Notice to Submit a Response from Korean Patent Application No. 30-2011-0038115, dated Dec. 12, 2012.  
 Notice to Submit a Response from Korean Patent Application No. 30-2011-0038116, dated Dec. 12, 2012.  
 International Search Report and Written Opinion from Appl. No. PCT/CN2013/072772, dated Dec. 19, 2013  
 International Search Report and Written Opinion from PCT/US2013/049225, dated Oct. 24, 2013.  
 Office Action from U.S. Appl. No. 29/387,171, dated May 2, 2012.  
 Response to OA from U.S. Appl. No. 29/387,171, filed Aug. 2, 2012.  
 Office Action from U.S. Appl. No. 12/961,385, dated Apr. 26, 2013.  
 Response to OA from U.S. Appl. No. 12/961,385, filed Jul. 24, 2013.  
 Office Action from U.S. Appl. No. 13/464,745, dated Jul. 16, 2013.  
 Office Action from U.S. Appl. No. 29/368,970, dated Jun. 19, 2012.  
 Office Action from U.S. Appl. No. 29/368,970, dated Aug. 24, 2012.  
 Response to OA from U.S. Appl. No. 29/368,970, filed Nov. 26, 2012.  
 Office Action from U.S. Appl. No. 12/961,385, dated Nov. 6, 2013.  
 First Office Action from Chinese Patent Appl. No. 2012800369142, dated Mar. 26, 2015.  
 Office Action from U.S. Appl. No. 13/464,745, dated Apr. 2, 2015.  
 Office Action from U.S. Appl. No. 13/442,746, dated Apr. 28, 2015.  
 Office Action from U.S. Appl. No. 13/368,217, dated May 13, 2015.  
 Office Action from U.S. Appl. No. 13/828,348, dated May 27, 2015.  
 Notice of Completion of Pretrial Re-examination from Japanese Patent appl. No. 2013-543207, dated Jun. 30, 2015.  
 Pretrial Report from Japanese Appl. No. 2013-543207, dated Jun. 19, 2015.  
 Decision of Rejection from Chinese Patent Appl. No. 201180052998.4, dated Jul. 16, 2015.  
 Office Action from U.S. Appl. No. 12/873,303, dated Jun. 22, 2015.  
 Response to OA from U.S. Appl. No. 12/873,303, filed Aug. 21, 2015.  
 Office Action from U.S. Appl. No. 13/341,741, dated Jun. 22, 2015.  
 Office Action from U.S. Appl. No. 13/443,630, dated Jun. 23, 2015.  
 Response to OA from U.S. Appl. No. 13/443,630, filed Aug. 21, 2015.  
 Office Action from U.S. Appl. No. 13/189,535, dated Jul. 14, 2015.  
 Office Action from U.S. Appl. No. 13/453,924, dated Jul. 21, 2015.  
 Office Action from U.S. Appl. No. 13/442,746, dated Jul. 27, 2015.  
 Office Action from U.S. Appl. No. 14/020,757, dated Aug. 3, 2015.  
 Office Action from U.S. Appl. No. 13/429,080, dated Sep. 1, 2015.  
 Office Action from U.S. Appl. No. 14/716,480, dated Sep. 24, 2015.  
 Office Action from U.S. Appl. No. 14/170,627, dated Oct. 5, 2015.  
 Office Action from U.S. Appl. No. 13/368,217, dated Oct. 8, 2015.  
 Office Action from U.S. Appl. No. 13/464,745, dated Oct. 8, 2015.  
 Office Action from U.S. Appl. No. 29/466,391, dated Oct. 14, 2015.  
 Office Action from U.S. Appl. No. 12/961,385, dated Nov. 27, 2015.  
 Office Action from U.S. Appl. No. 13/828,348, dated Nov. 4, 2015.  
 Office Action from U.S. Appl. No. 14/020,757, dated Nov. 24, 2014.  
 First Office Action from Chinese Patent Appl. No. 2011800588770, dated Sep. 25, 2015.  
 Office Action from U.S. Appl. No. 13/464,745; Mar. 1, 2016.  
 Office Action from U.S. Appl. No. 14/716,480; Mar. 3, 2016.  
 Office Action from U.S. Appl. No. 13/368,217; Mar. 4, 2016.  
 Office Action from U.S. Appl. No. 13/189,535; Mar. 18, 2016.  
 Office Action from U.S. Appl. No. 14/020,757; Apr. 7, 2016.  
 Office Action from U.S. Appl. No. 29/466,391; May 10, 2016.  
 Second Office Action for Application No. 2011800588770; Dated Mar. 29, 2016.  
 Examination Report from Taiwanese Patent Appl. No. 100131021, dated Jan. 5, 2016.  
 Examination from European Patent Appl. No. 12743003.1-1757, dated Jan. 8, 2016.  
 Notice of Reasons for Rejection from Japanese Patent Appl. No. 2013-543207, dated Feb. 2, 2016.  
 Examination from European Patent Appl. No. 13 701 525.1-1757, dated Feb. 3, 2016.  
 Office Action from U.S. Appl. No. 13/189,535; Jan. 6, 2016.  
 Office Action from U.S. Appl. No. 13/341,741; Jan. 8, 2016.  
 Office Action from U.S. Appl. No. 13/873,303; Feb. 2, 2016.  
 Office Action for U.S. Appl. No. 13/828,348; Dated Jun. 2, 2016.  
 Notice of Reason for Rejection for Japanese Appl. No. 2013-543207; Dated May 24, 2016.

(56)

**References Cited**

OTHER PUBLICATIONS

Office Action for U.S. Appl. No. 14/020,757; Dated Jul. 19, 2016.  
Examination Report from Taiwan Application No. 100131021;  
Dated Jul. 21, 2016.

Office Action for U.S. Appl. No. 14/716,480; Dated Aug. 26, 2016.  
European Summons for Oral Proceedings for Application No.  
12743003.1; Dated Sep. 2, 2016.

Office Action for U.S. Appl. No. 13/464,745; Dated Sep. 7, 2016.

\* cited by examiner

FIG. 1A

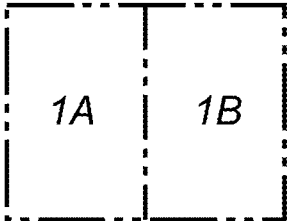
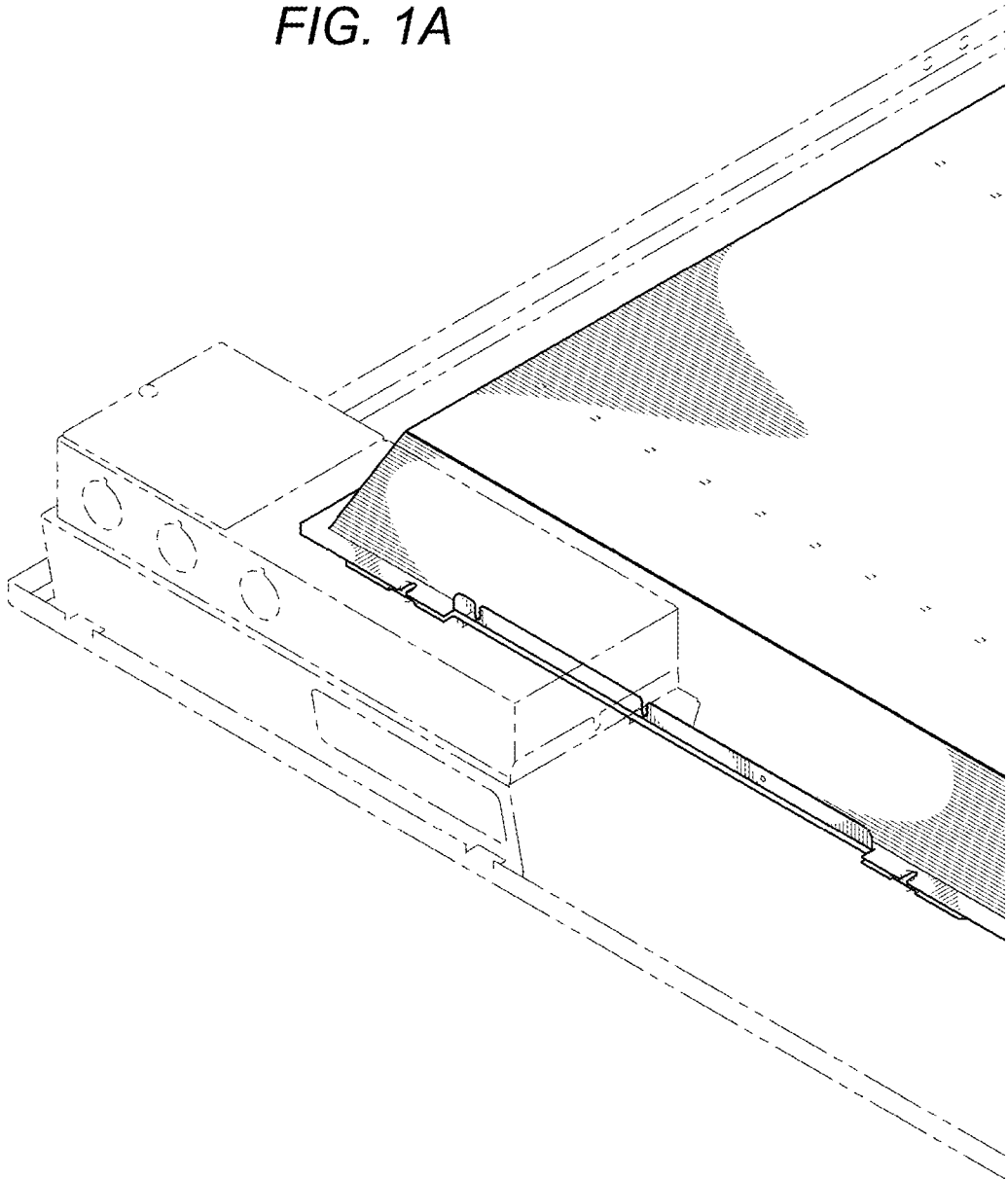


FIG. 1B

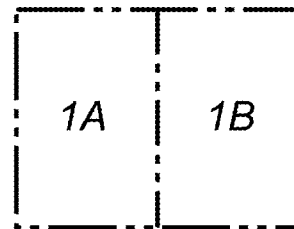
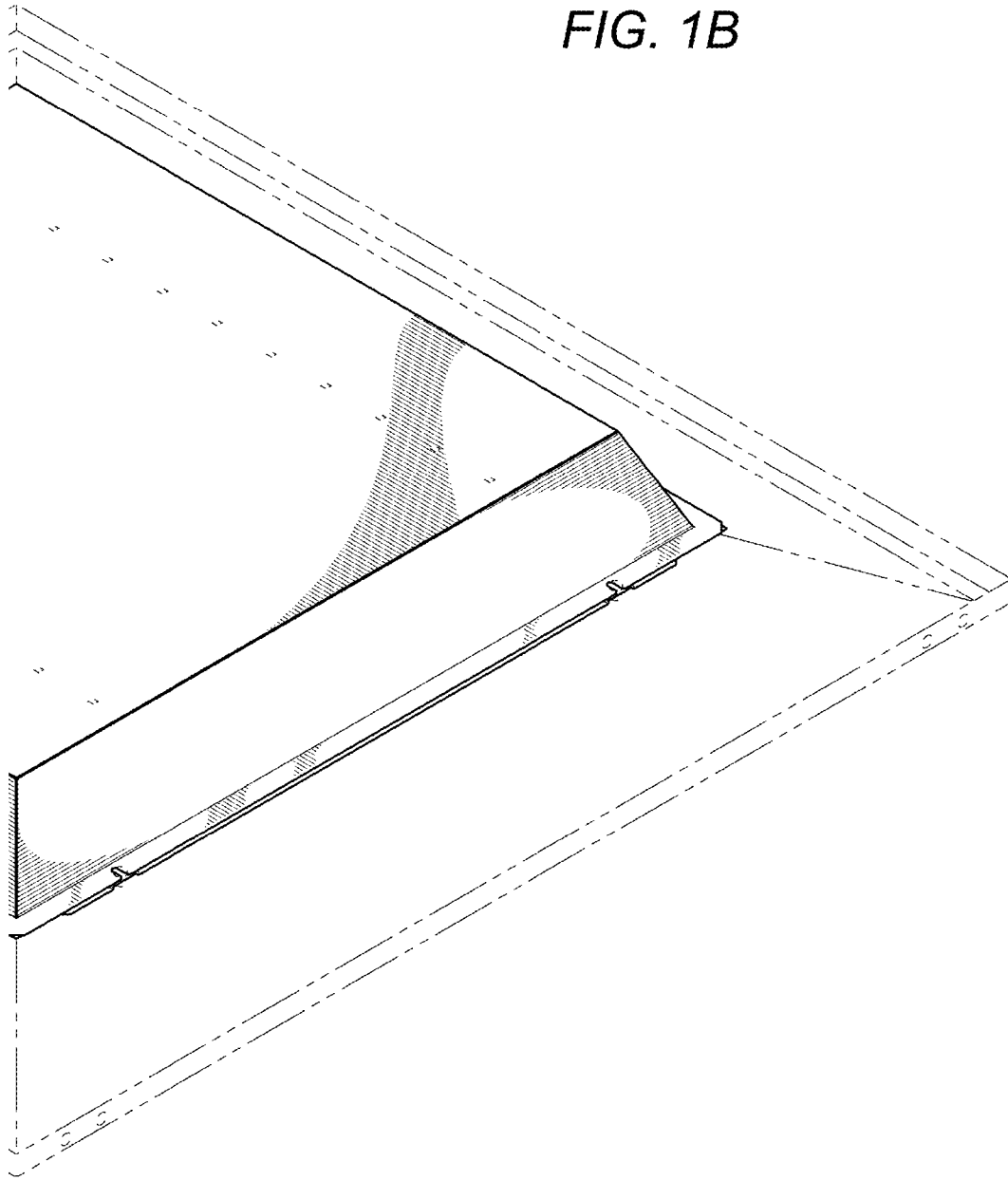


FIG. 2A

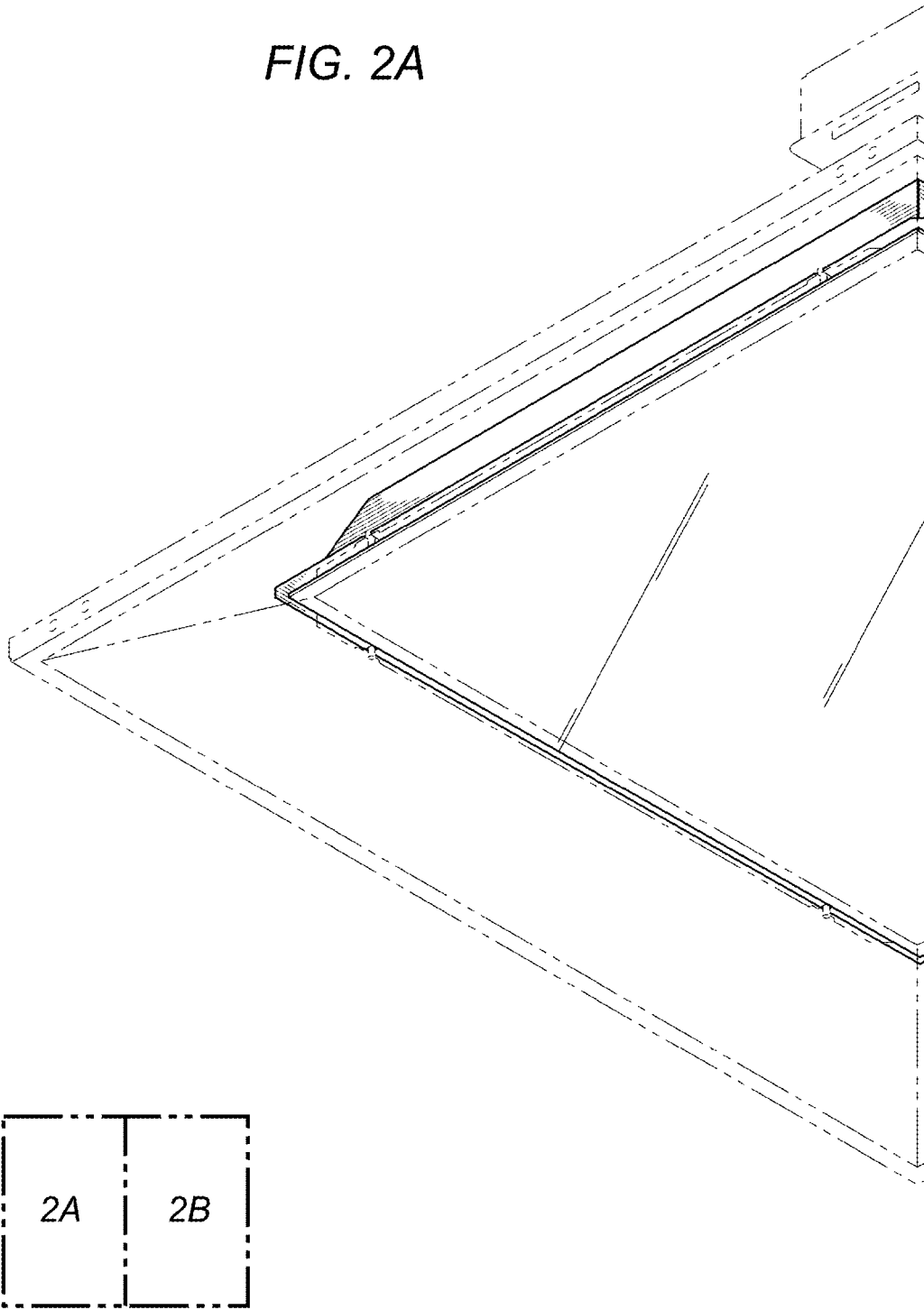
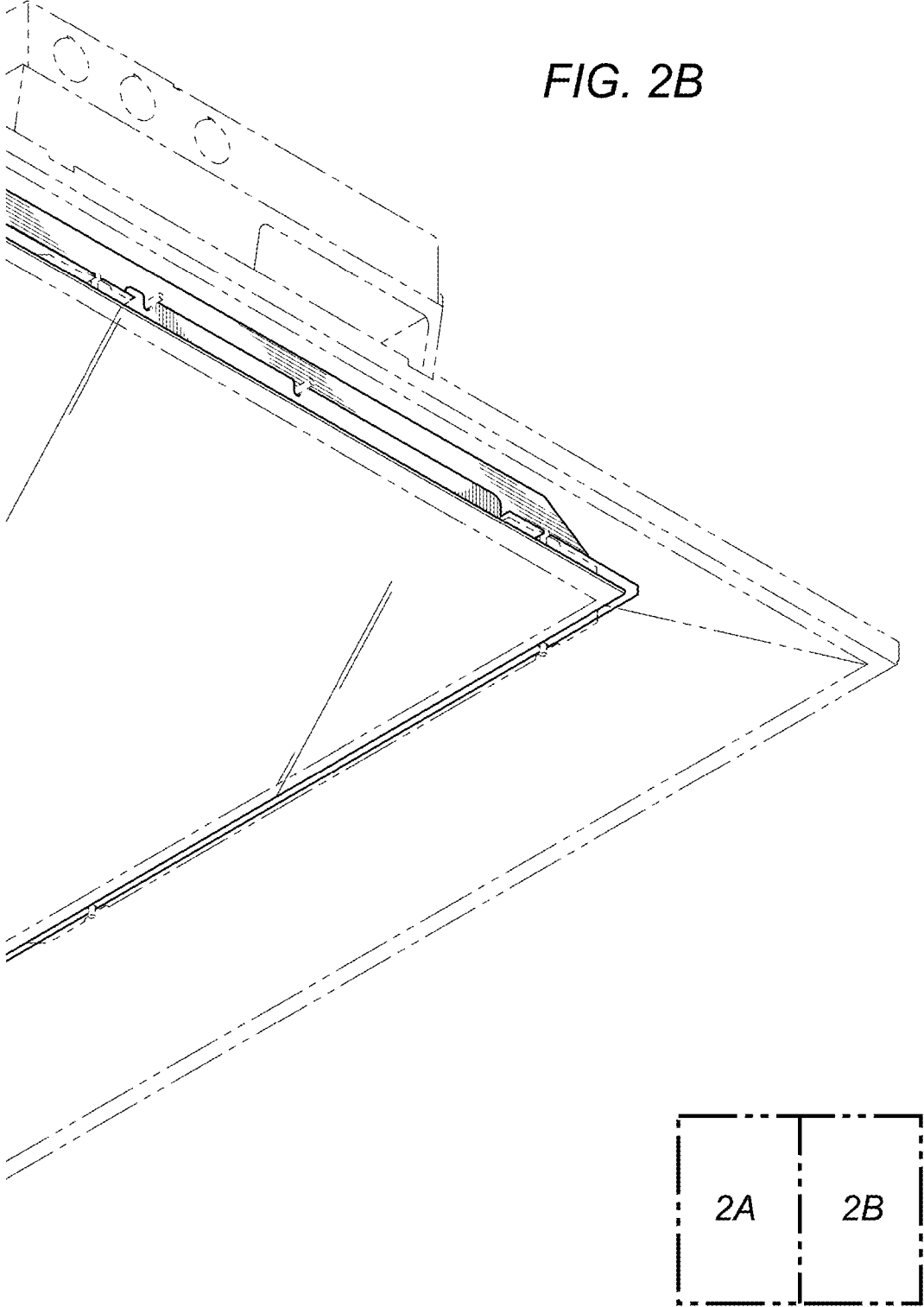
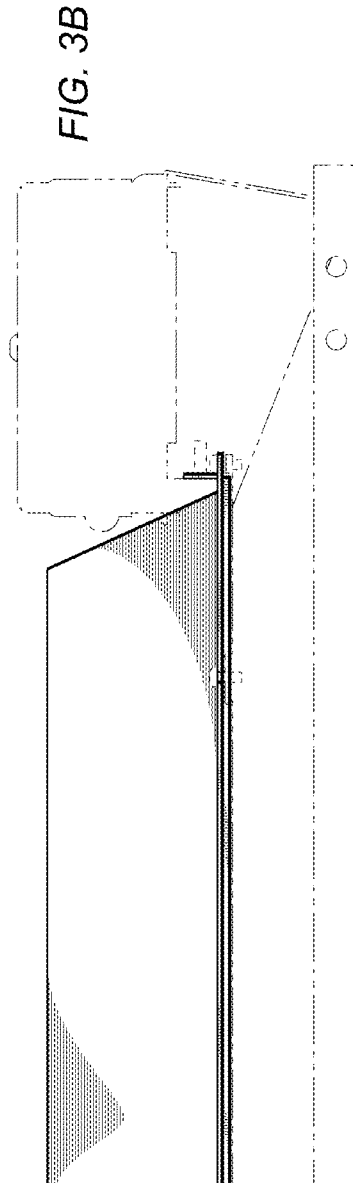
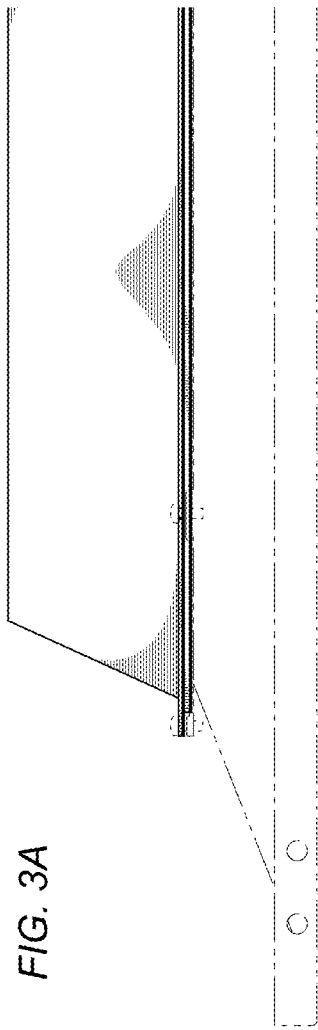




FIG. 2B





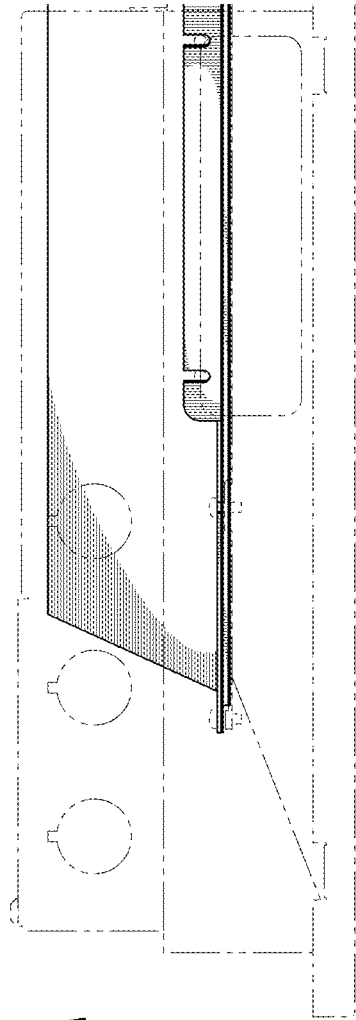


FIG. 4A

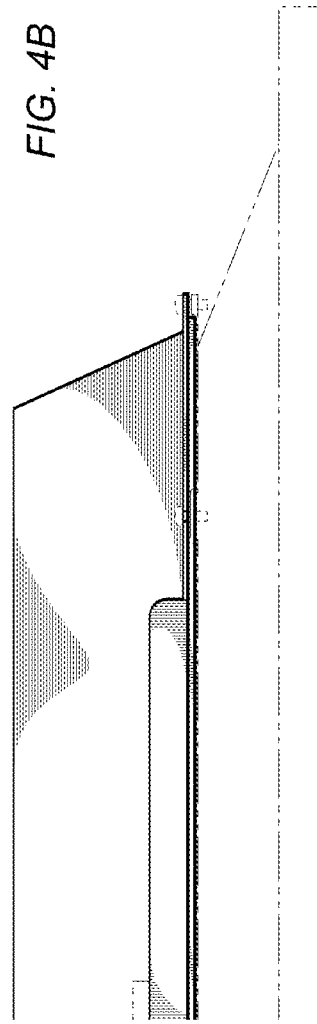


FIG. 4B

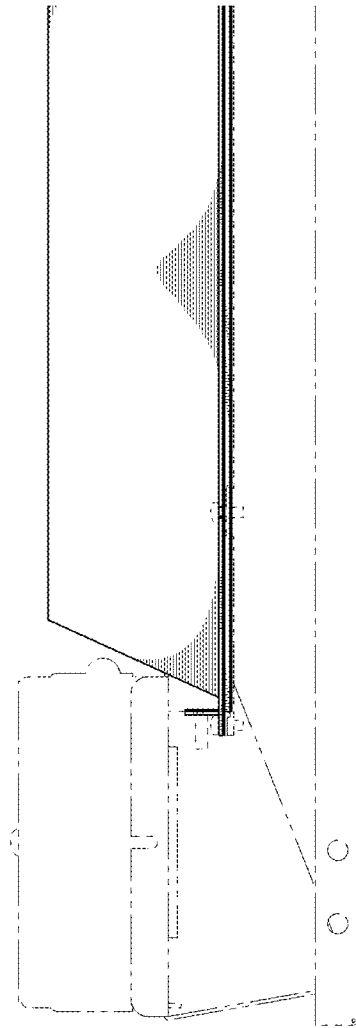


FIG. 5A

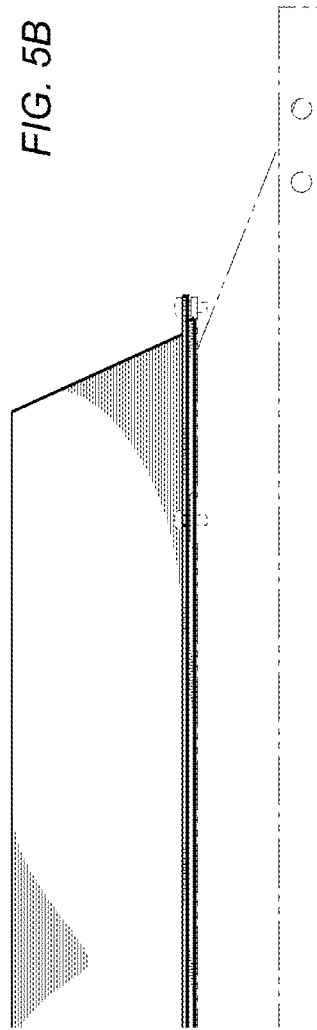
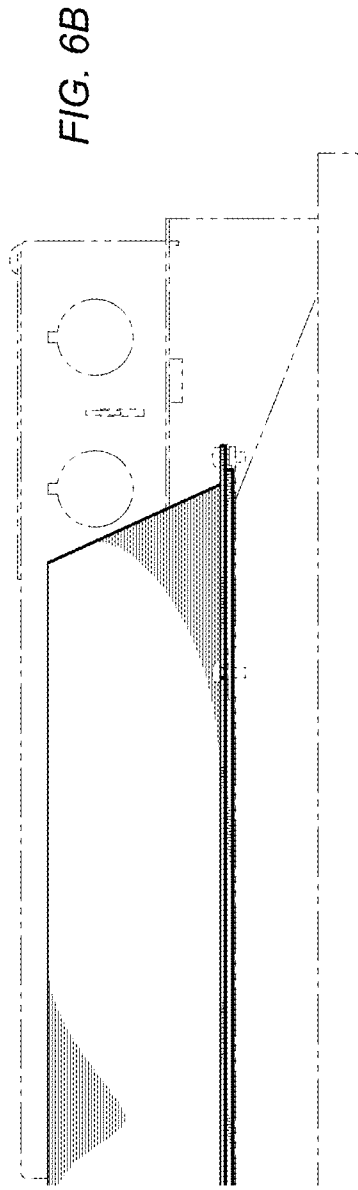
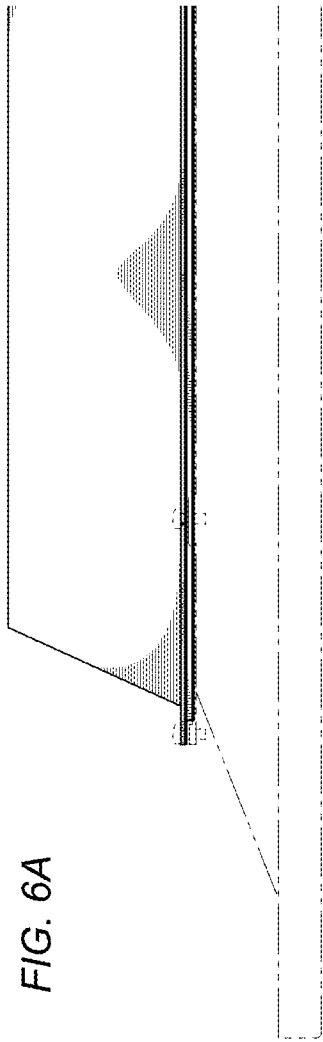


FIG. 5B



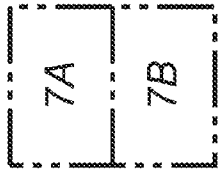
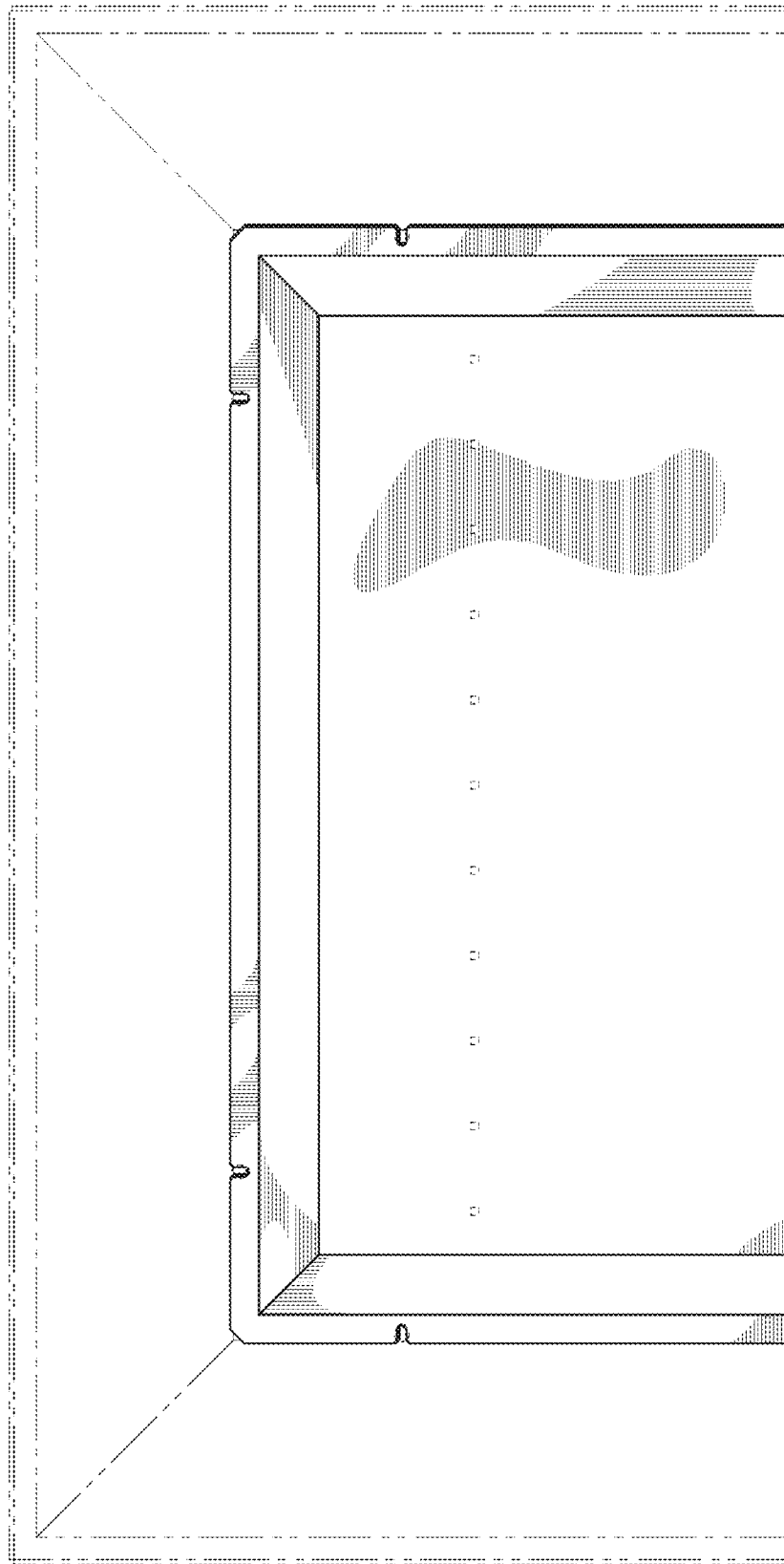


FIG. 7A



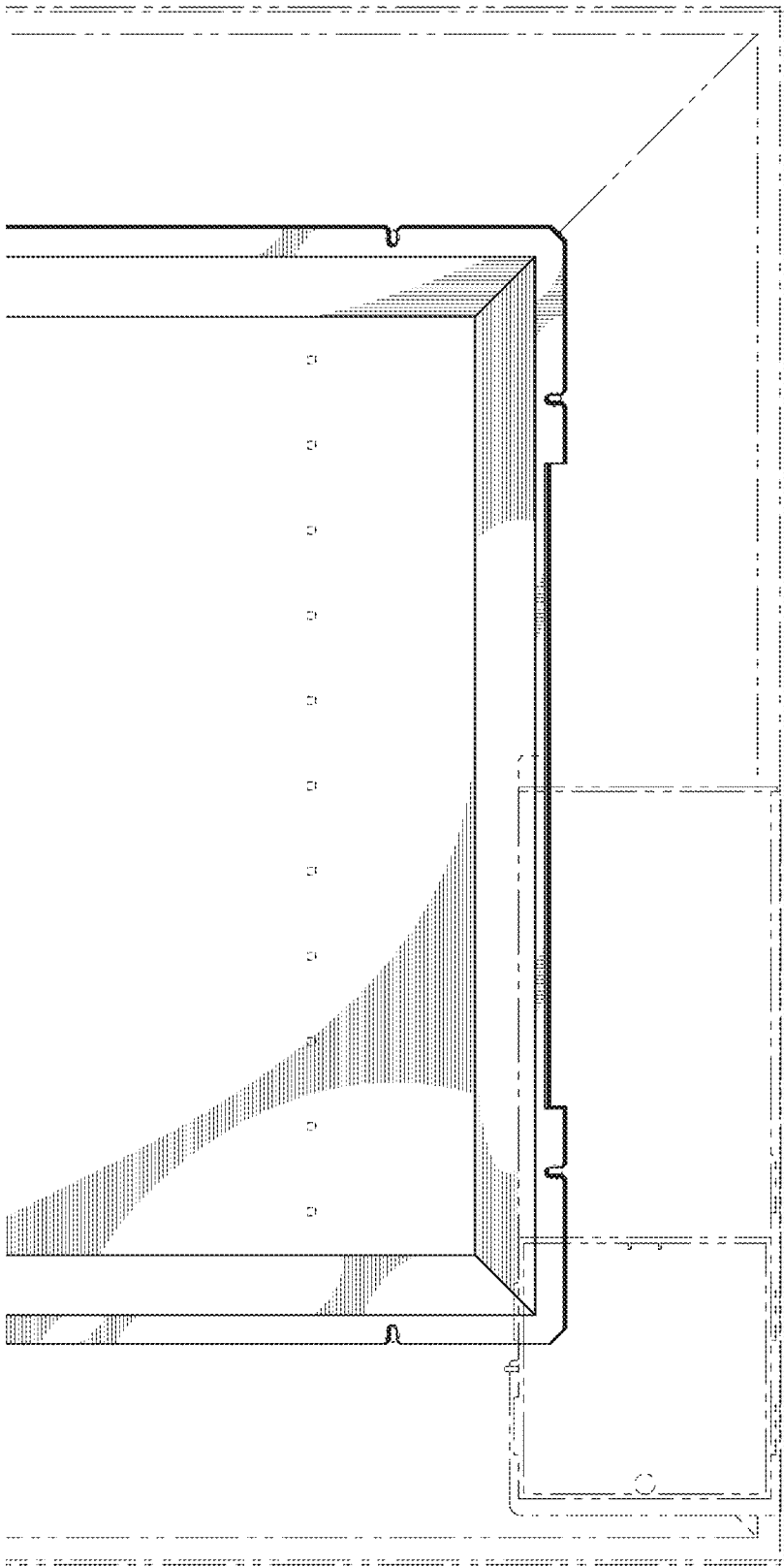


FIG. 7B

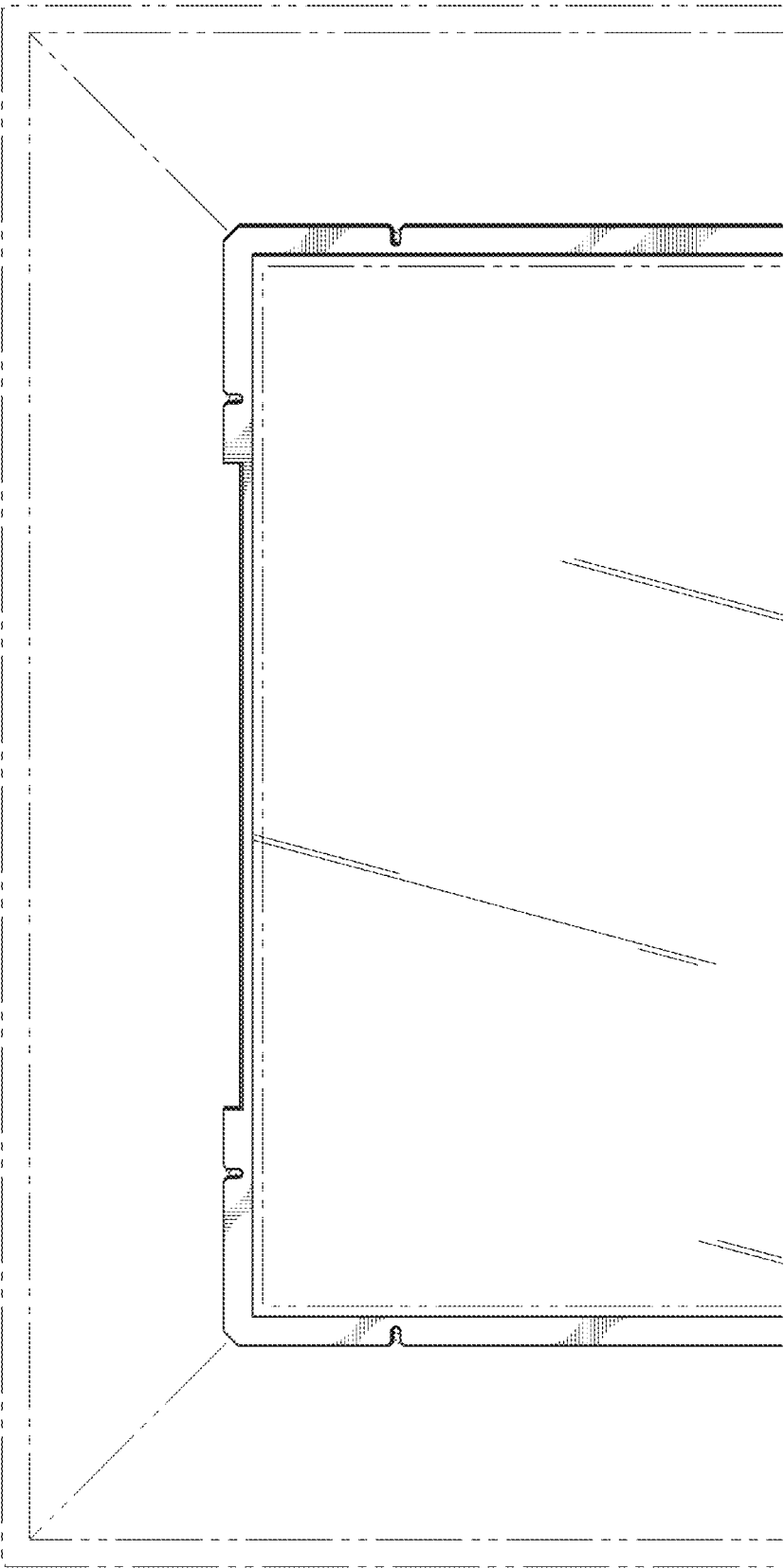
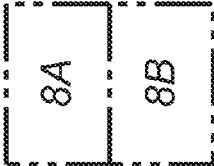


FIG. 8A



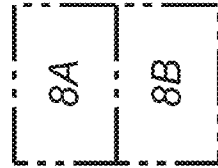
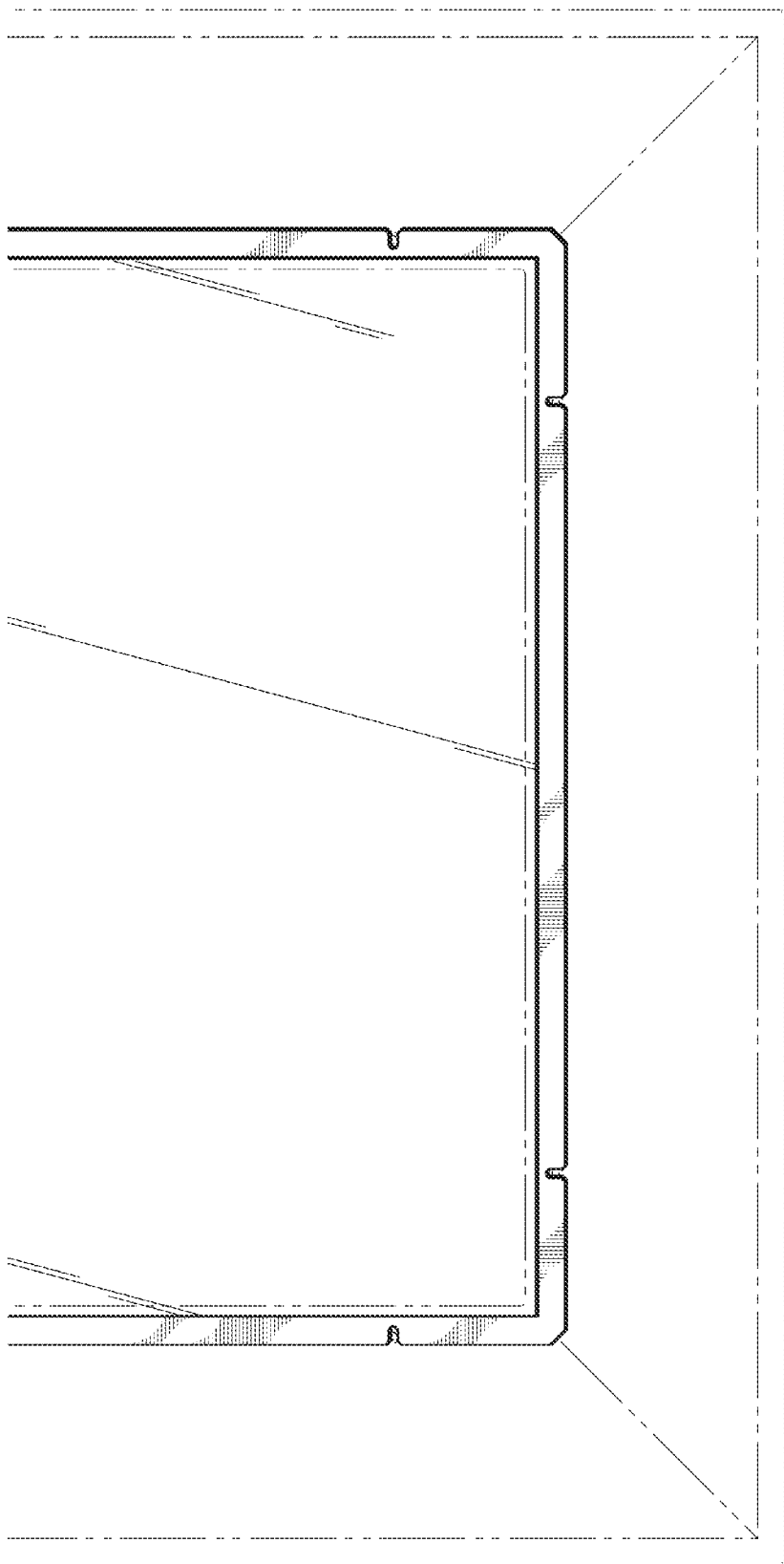


FIG. 8B