



US00D615700S

(12) **United States Design Patent**  
**Borges et al.**

(10) **Patent No.:** **US D615,700 S**

(45) **Date of Patent:** **\*\* May 11, 2010**

(54) **CIGARETTE PACKAGE**

(75) Inventors: **Felipe Aguiar Borges**, Rio de Janeiro (BR); **Leandro Gomes Vilela**, Rio de Janeiro (BR); **Francisco Soares Pellegrino**, Rio de Janeiro (BR)

(73) Assignee: **Souza Cruz S.A.**, Rio de Janeiro, RJ (BR)

(\*\*) Term: **14 Years**

(21) Appl. No.: **29/317,150**

(22) Filed: **Apr. 23, 2008**

(30) **Foreign Application Priority Data**

Oct. 23, 2007 (BR) ..... DI6703134-0  
Oct. 23, 2007 (BR) ..... DI6703138-2

(51) **LOC (9) Cl.** ..... **27-06**

(52) **U.S. Cl.** ..... **D27/189**

(58) **Field of Classification Search** ..... D27/183-194;  
D9/423, 430-433; 206/236-241, 242-276,  
206/86, 91-95; 229/160.1

See application file for complete search history.

(56) **References Cited**

**U.S. PATENT DOCUMENTS**

D136,319 S \* 9/1943 New ..... D27/191  
3,052,398 A \* 9/1962 Lewin ..... 229/125.37  
3,472,362 A \* 10/1969 Shinoda ..... 206/86  
3,823,865 A \* 7/1974 Mechnick ..... 229/146  
5,957,280 A \* 9/1999 Focke et al. .... 206/264  
D462,806 S \* 9/2002 Draghetti ..... D27/189  
6,715,605 B1 \* 4/2004 Manservigi et al. .... 206/268

D530,447 S \* 10/2006 Velloni et al. .... D27/189  
7,156,228 B2 \* 1/2007 Brizzi et al. .... 206/268  
2005/0092625 A1 \* 5/2005 Brizzi et al. .... 206/242

\* cited by examiner

*Primary Examiner*—Jennifer Rivard

(74) *Attorney, Agent, or Firm*—Chadbourne & Parke LLP;  
Walter G. Hanchuk

(57) **CLAIM**

The ornamental design for cigarette package, as shown and described.

**DESCRIPTION**

FIG. 1 is a front perspective view of cigarette package with top open showing the design of the disclosed invention;

FIG. 2 is a front perspective view thereof with top closed;

FIG. 3 is an rear perspective view thereof;

FIG. 4 is a front view thereof;

FIG. 5 is a front view thereof with top open;

FIG. 6 is a back view thereof;

FIG. 7 is a right side view thereof;

FIG. 8 is a left side view thereof;

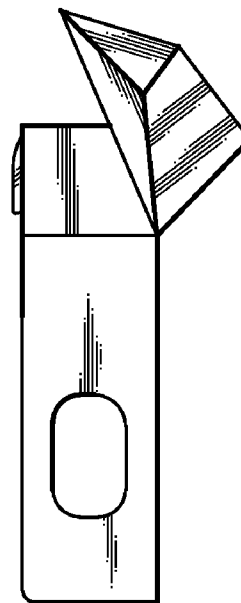
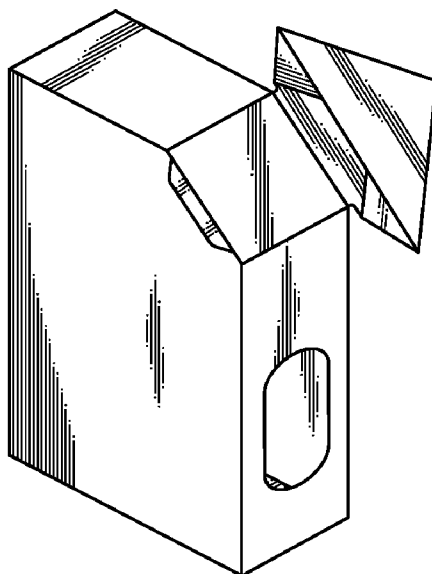
FIG. 9 is a top view thereof;

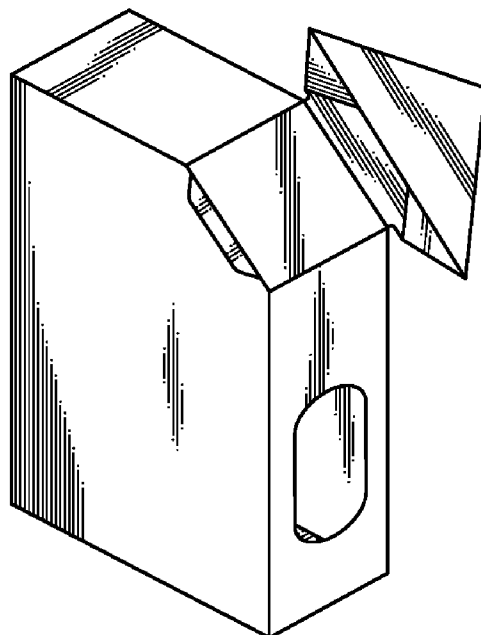
FIG. 10 is a bottom view thereof; and,

FIG. 11 is a right side view thereof with top open.

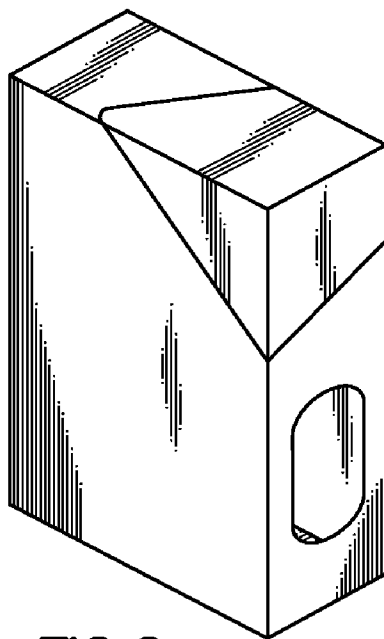
The broken lines in FIG. 3 and FIG. 8 are included for the purpose of illustrating a portion of the interior lines that forms no part of the claimed design.

**1 Claim, 5 Drawing Sheets**





**FIG. 1**



**FIG. 2**

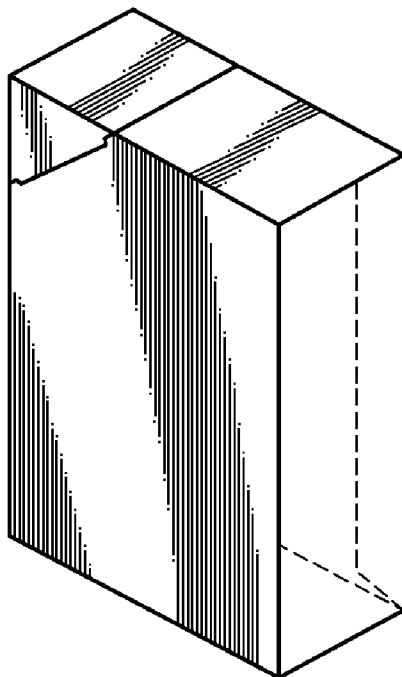


FIG. 3

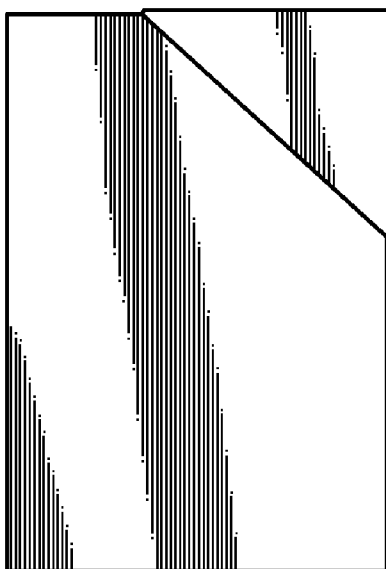


FIG. 4

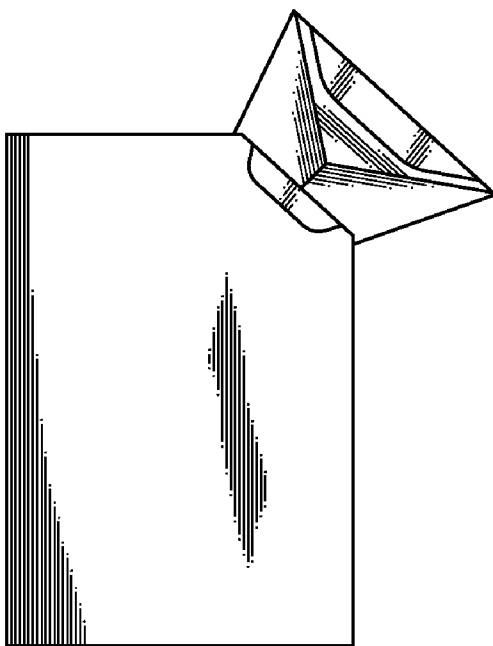


FIG. 5

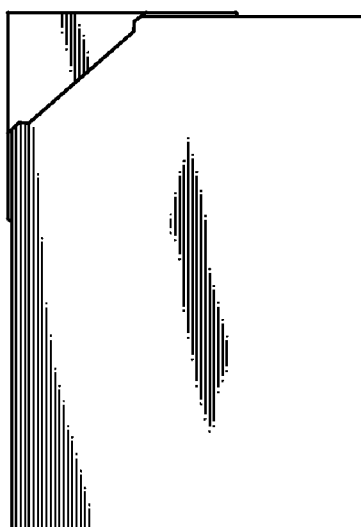
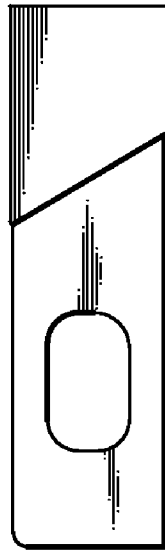
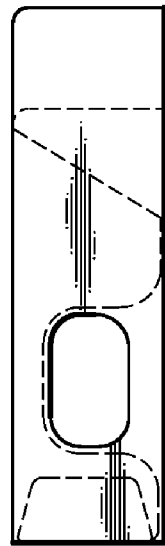


FIG. 6



**FIG.7**



**FIG.8**

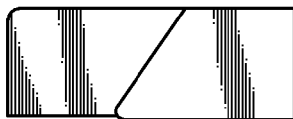


FIG. 9

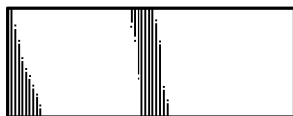


FIG. 10

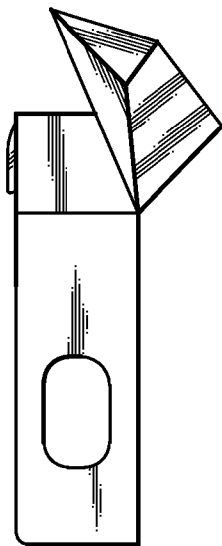


FIG. 11