

(19) World Intellectual Property Organization  
International Bureau



(43) International Publication Date  
26 May 2006 (26.05.2006)

PCT

(10) International Publication Number  
**WO 2006/055906 A3**

- (51) International Patent Classification:  
*G01R 31/28* (2006.01)    *H01L 23/40* (2006.01)
- (21) International Application Number:  
PCT/US2005/042145
- (22) International Filing Date:  
17 November 2005 (17.11.2005)
- (25) Filing Language: English
- (26) Publication Language: English
- (30) Priority Data:  
10/992,308    18 November 2004 (18.11.2004)    US
- (71) Applicant: **DELTA DESIGN, INC.** [US/US]; 12367  
Crosthwaite Circle, Poway, California 92064 (US).

(81) Designated States (unless otherwise indicated, for every kind of national protection available): AE, AG, AL, AM, AT, AU, AZ, BA, BB, BG, BR, BW, BY, BZ, CA, CH, CN, CO, CR, CU, CZ, DE, DK, DM, DZ, EC, EE, EG, ES, FI, GB, GD, GE, GH, GM, HR, HU, ID, IL, IN, IS, JP, KE, KG, KM, KN, KP, KR, KZ, LC, LK, LR, LS, LT, LU, LV, LY, MA, MD, MG, MK, MN, MW, MX, MZ, NA, NG, NI, NO, NZ, OM, PG, PH, PL, PT, RO, RU, SC, SD, SE, SG, SK, SL, SM, SY, TJ, TM, TN, TR, TT, TZ, UA, UG, US, UZ, VC, VN, YU, ZA, ZM, ZW.

- (72) Inventors: **TUSTANIWSKIYI, Jerry, Ihor**; 26822  
Avenida Domingo, Mission Viejo, CA 92691 (US).  
**BABCOCK, James, Wittman**; 1248 Via Sendero Vista,  
Escondido, CA 92029 (US). **KUO, Henry, Jen**; 20426  
Via Don Quijote, Yorba Linda, CA 92886 (US).
- (74) Agent: **BECK, George, C.**; Foley & Lardner LLP, Wash-  
ington Harbour, 3000 K Street, N.W., Suite 500, Washing-  
ton, D.C 20007-5109 (US).

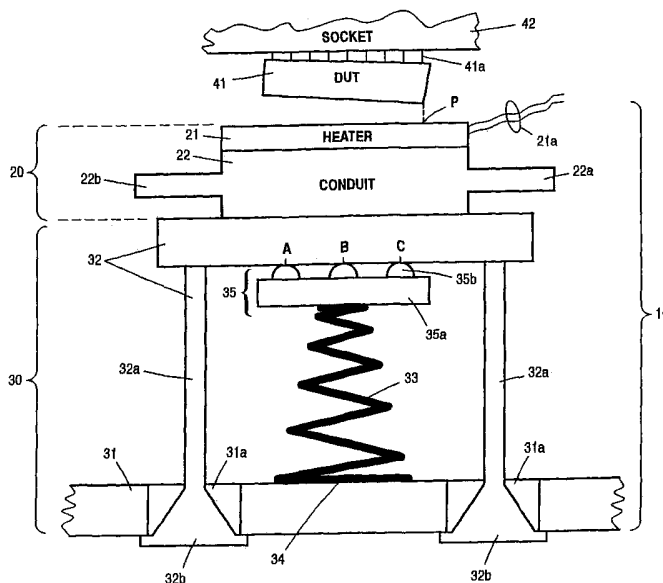
(84) Designated States (unless otherwise indicated, for every kind of regional protection available): ARIPO (BW, GH, GM, KE, LS, MW, MZ, NA, SD, SL, SZ, TZ, UG, ZM, ZW), Eurasian (AM, AZ, BY, KG, KZ, MD, RU, TJ, TM), European (AT, BE, BG, CH, CY, CZ, DE, DK, EE, ES, FI, FR, GB, GR, HU, IE, IS, IT, LT, LU, LV, MC, NL, PL, PT, RO, SE, SI, SK, TR), OAPI (BF, BJ, CF, CG, CI, CM, GA, GN, GQ, GW, ML, MR, NE, SN, TD, TG).

Published:  
— with international search report

(88) Date of publication of the international search report:  
8 September 2006

For two-letter codes and other abbreviations, refer to the "Guidance Notes on Codes and Abbreviations" appearing at the beginning of each regular issue of the PCT Gazette.

(54) Title: ASSEMBLY FOR REGULATING THE TEMPERATURE OF AN INTEGRATED CIRCUIT



(57) Abstract: A mechanical assembly, for regulating the temperature of an electronic device, includes a gimbal and a heat-exchanger which is attached to the gimbal. The gimbal includes a base member, a carrier member, and a spring which has -1) a first end with a rigid coupling to one of the base and carrier members, and 2) a second end with a slideable coupling to the remaining member. The slideable coupling prevents any gap from occurring between the heat-exchanger and the electronic device when they are pressed together.

WO 2006/055906 A3

**INTERNATIONAL SEARCH REPORT**

International application No  
**PCT/US2005/042145**

**A. CLASSIFICATION OF SUBJECT MATTER**  
 INV. G01R31/28 H01L23/40

According to International Patent Classification (IPC) or to both national classification and IPC

**B. FIELDS SEARCHED**  
 Minimum documentation searched (classification system followed by classification symbols)  
 G01R H01L

Documentation searched other than minimum documentation to the extent that such documents are included in the fields searched

Electronic data base consulted during the international search (name of data base and, where practical, search terms used)  
 EPO-Internal

**C. DOCUMENTS CONSIDERED TO BE RELEVANT**

Category*	Citation of document, with indication, where appropriate, of the relevant passages	Relevant to claim No.
A	US 4 791 983 A (NICOL ET AL.) 20 December 1988 (1988-12-20) cited in the application abstract; figure 2	1,9
A	US 6 774 661 B1 (TUSTANIWSKYJ) 10 August 2004 (2004-08-10) abstract; figure 12	1,9
A	US 6 116 331 A (TUSTANIWSKYJ ET AL.) 12 September 2000 (2000-09-12) cited in the application abstract; figures 5a-5d	1,9

Further documents are listed in the continuation of Box C.

See patent family annex.

\* Special categories of cited documents :

- \*A\* document defining the general state of the art which is not considered to be of particular relevance
- \*E\* earlier document but published on or after the international filing date
- \*L\* document which may throw doubts on priority claim(s) or which is cited to establish the publication date of another citation or other special reason (as specified)
- \*O\* document referring to an oral disclosure, use, exhibition or other means
- \*P\* document published prior to the international filing date but later than the priority date claimed

- \*T\* later document published after the international filing date or priority date and not in conflict with the application but cited to understand the principle or theory underlying the invention
- \*X\* document of particular relevance; the claimed invention cannot be considered novel or cannot be considered to involve an inventive step when the document is taken alone
- \*Y\* document of particular relevance; the claimed invention cannot be considered to involve an inventive step when the document is combined with one or more other such documents, such combination being obvious to a person skilled in the art.
- \*G\* document member of the same patent family

Date of the actual completion of the international search  
**19 April 2006**

Date of mailing of the international search report  
**28/04/2006**

Name and mailing address of the ISA/  
 European Patent Office, P.B. 5818 Patentlaan 2  
 NL - 2280 HV Rijswijk  
 Tel. (+31-70) 340-2040, Tx. 31 651 epo nl,  
 Fax: (+31-70) 340-3016

Authorized officer  
**Iwansson, K**

# INTERNATIONAL SEARCH REPORT

Information on patent family members

International application No

PCT/US2005/042145

Patent document cited in search report	Publication date	Patent family member(s)	Publication date
US 4791983	A	20-12-1988	DE 3886384 D1 27-01-1994
			DE 3886384 T2 07-04-1994
			EP 0340284 A1 08-11-1989
			JP 2501695 T 07-06-1990
			JP 4018469 B 27-03-1992
			WO 8903590 A1 20-04-1989
US 6774661	B1	10-08-2004	NONE
US 6116331	A	12-09-2000	EP 1147556 A1 24-10-2001
			JP 3563695 B2 08-09-2004
			JP 2002532881 T 02-10-2002
			WO 0035012 A1 15-06-2000