



US00D782888S

(12) **United States Design Patent**  
**Pritchett, II**

(10) **Patent No.:** **US D782,888 S**

(45) **Date of Patent:** **\*\* Apr. 4, 2017**

- (54) **ROTATABLE SHOVEL HANDLE**
- (71) Applicant: **Philenza Joe Pritchett, II**, Bluffton, SC (US)
- (72) Inventor: **Philenza Joe Pritchett, II**, Bluffton, SC (US)
- (\*\*) Term: **15 Years**
- (21) Appl. No.: **29/529,483**
- (22) Filed: **Jun. 8, 2015**
- (51) **LOC (10) Cl.** ..... **08-01**
- (52) **U.S. Cl.**  
USPC ..... **D8/10**
- (58) **Field of Classification Search**  
USPC ..... D8/1, 10, 11, 107; D21/398, 532  
CPC .. A01B 1/00; A01B 1/02; A01B 1/022; A01B 1/026; B25G 1/102; B25G 1/04; B25G 1/00; Y10T 16/4713; E01H 5/02  
See application file for complete search history.

D417,382 S *	12/1999	Saladino, Jr. ....	D8/107
6,062,619 A *	5/2000	Clark, Jr. ....	A01B 1/026 16/426
D593,821 S *	6/2009	Kopp .....	D8/10
D618,973 S *	7/2010	Gosselin .....	D8/10
D668,128 S *	10/2012	Massalin .....	D8/107
D676,723 S *	2/2013	Norwood .....	D8/10
8,381,358 B1 *	2/2013	Frey .....	A45F 5/10 16/406
2003/0074765 A1 *	4/2003	Quimby .....	A01B 1/00 16/426
2008/0196205 A1 *	8/2008	Hixon .....	A01B 1/026 16/426

(Continued)

*Primary Examiner* — Sandra Snapp  
*Assistant Examiner* — Ieisha Price  
 (74) *Attorney, Agent, or Firm* — Ward and Smith, P.A.;  
 Ryan K. Simmons

(57) **CLAIM**

The ornamental design for a rotatable shovel handle, as shown and described.

**DESCRIPTION**

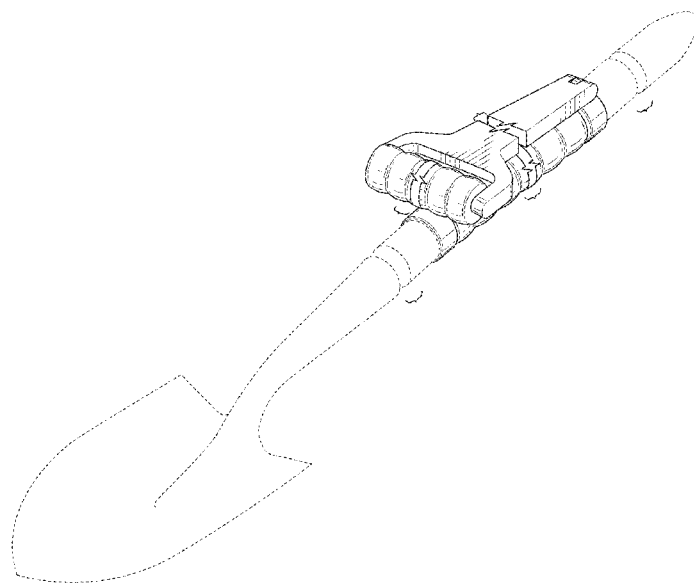
FIG. 1 is a perspective view of a rotatable shovel handle showing a new design;  
 FIG. 2 is a front elevation view thereof;  
 FIG. 3 is a rear elevation view thereof;  
 FIG. 4 is a side elevation view thereof;  
 FIG. 5 is a perspective view showing the rotatable shovel handle in a non-extended position;  
 FIG. 6 is a perspective view showing the rotatable shovel handle in a partially extended position; and,  
 FIG. 7 is a perspective view showing the rotatable shovel handle in an extended position.  
 The dashed lines shown in the drawings are for environmental purposes only and form no part of the claimed design.

**1 Claim, 7 Drawing Sheets**

(56) **References Cited**

U.S. PATENT DOCUMENTS

911,291 A *	2/1909	Byor .....	B25G 1/00 294/58
933,647 A *	9/1909	Hunt .....	B25G 1/00 294/58
2,531,227 A *	11/1950	Lubins .....	A01B 1/026 294/58
D183,290 S *	7/1958	Shock .....	D8/1
D237,350 S *	10/1975	Reisner .....	D8/1
4,155,582 A *	5/1979	Reisner .....	A01B 1/22 294/58
5,054,830 A *	10/1991	Nisenbaum .....	B25G 1/00 16/426
D377,300 S *	1/1997	Fredrick von Essen .....	D8/10
5,921,600 A *	7/1999	Lucas .....	A01B 1/026 294/58



(56)

**References Cited**

U.S. PATENT DOCUMENTS

2013/0160654 A1\* 6/2013 Agon ..... A47J 31/4403  
99/295  
2013/0269153 A1\* 10/2013 Longley ..... B25G 1/00  
16/426  
2014/0304949 A1\* 10/2014 Denton ..... B25G 1/102  
16/430  
2016/0353651 A1\* 12/2016 Pritchett, II ..... A01B 1/02

\* cited by examiner

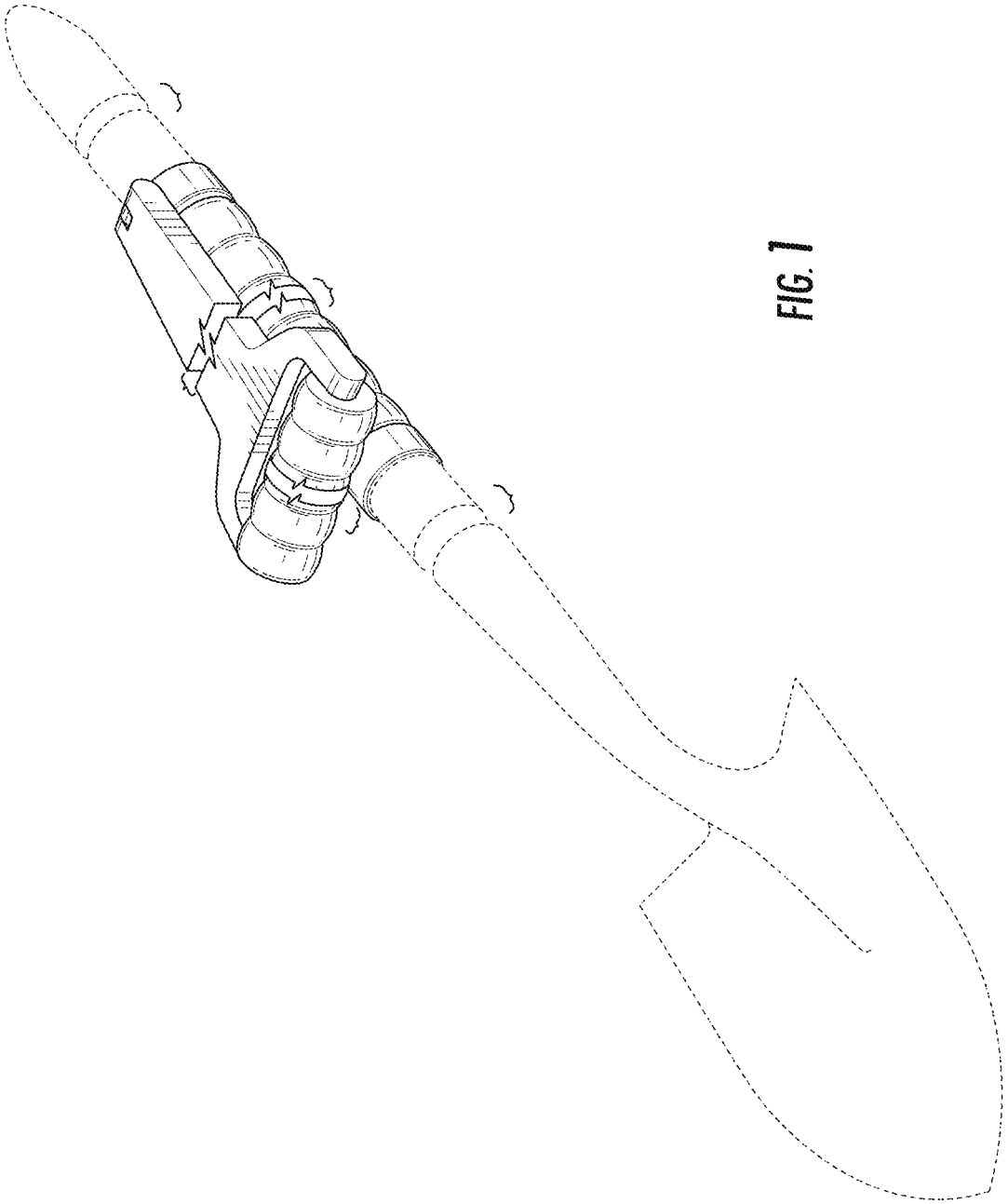


FIG. 1

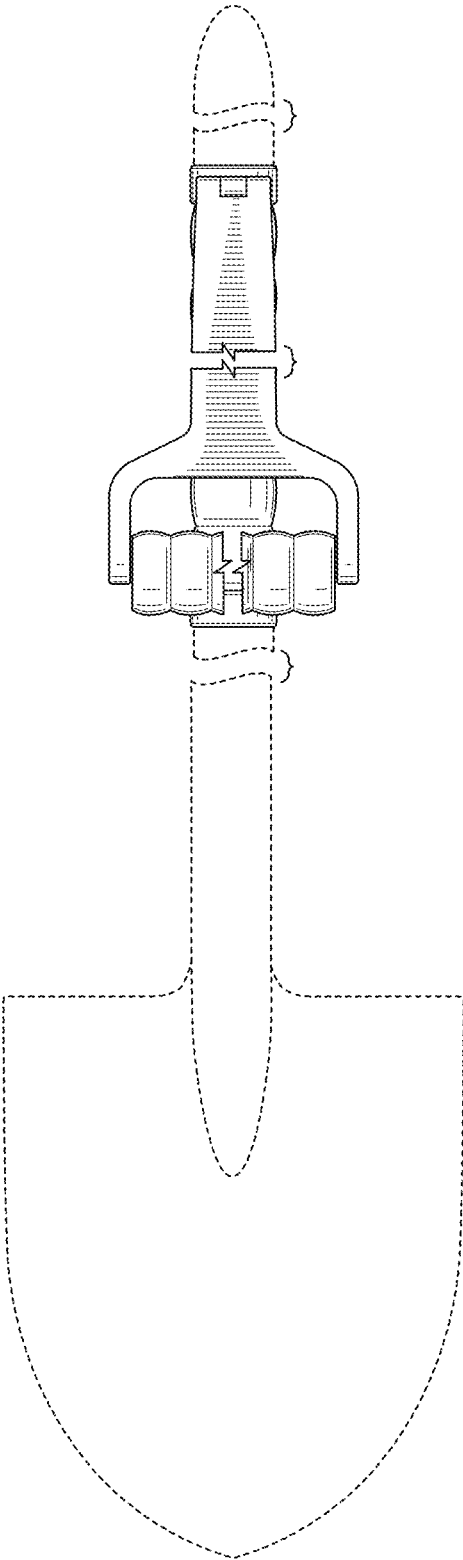


FIG. 2

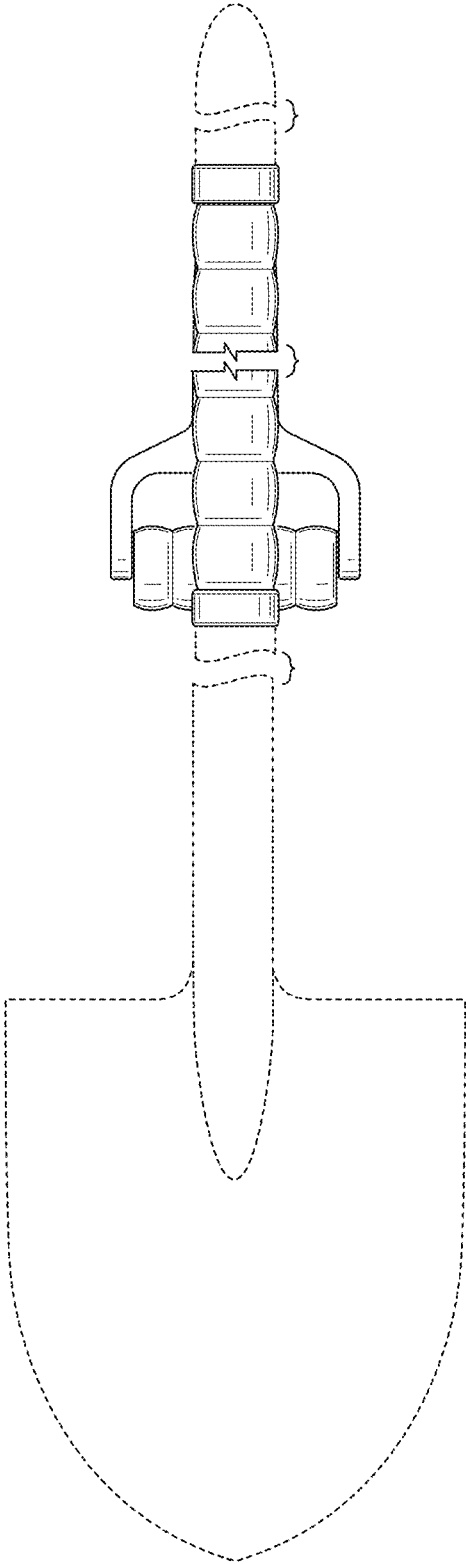


FIG. 3

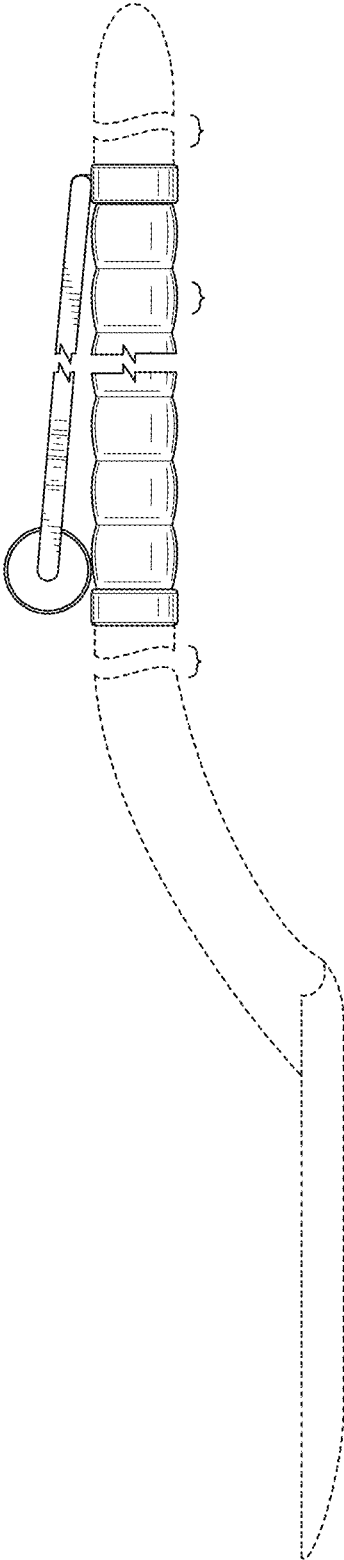


FIG. 4

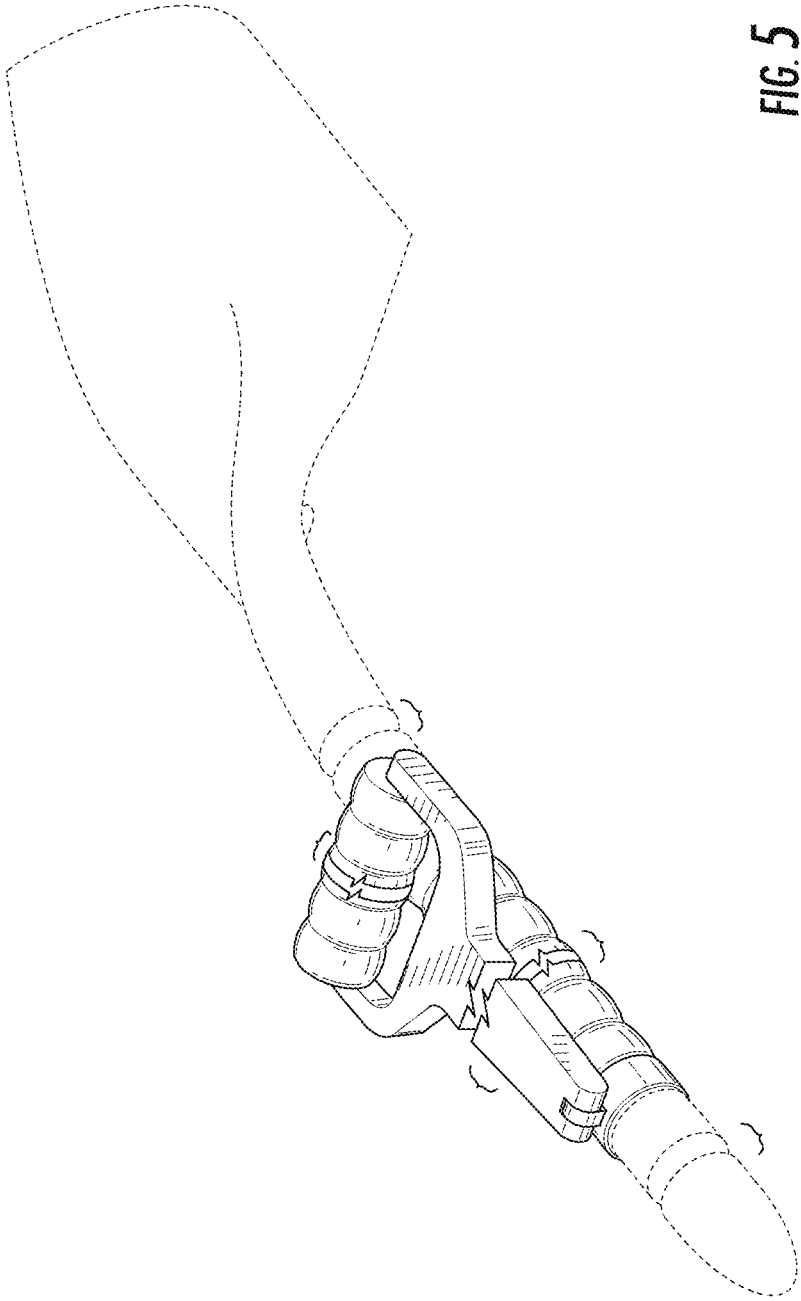


FIG. 5

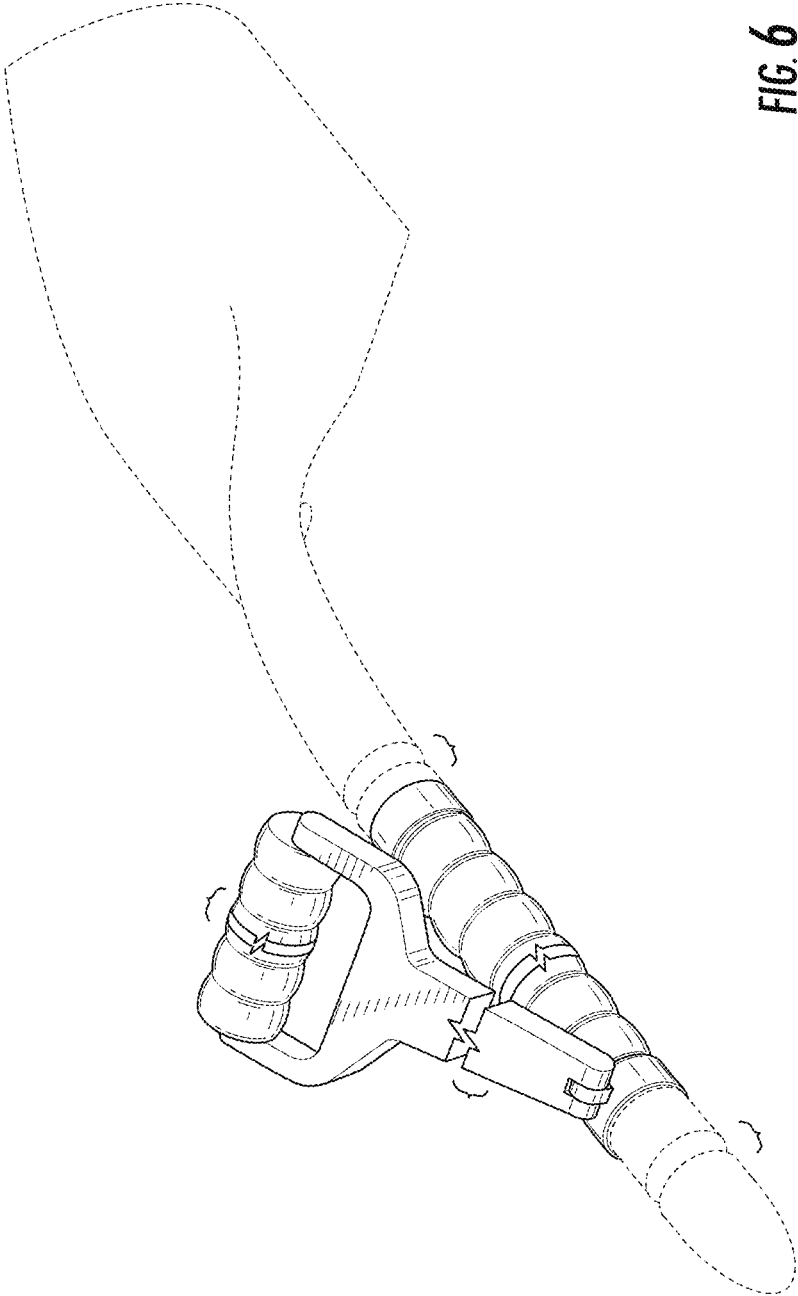


FIG. 6

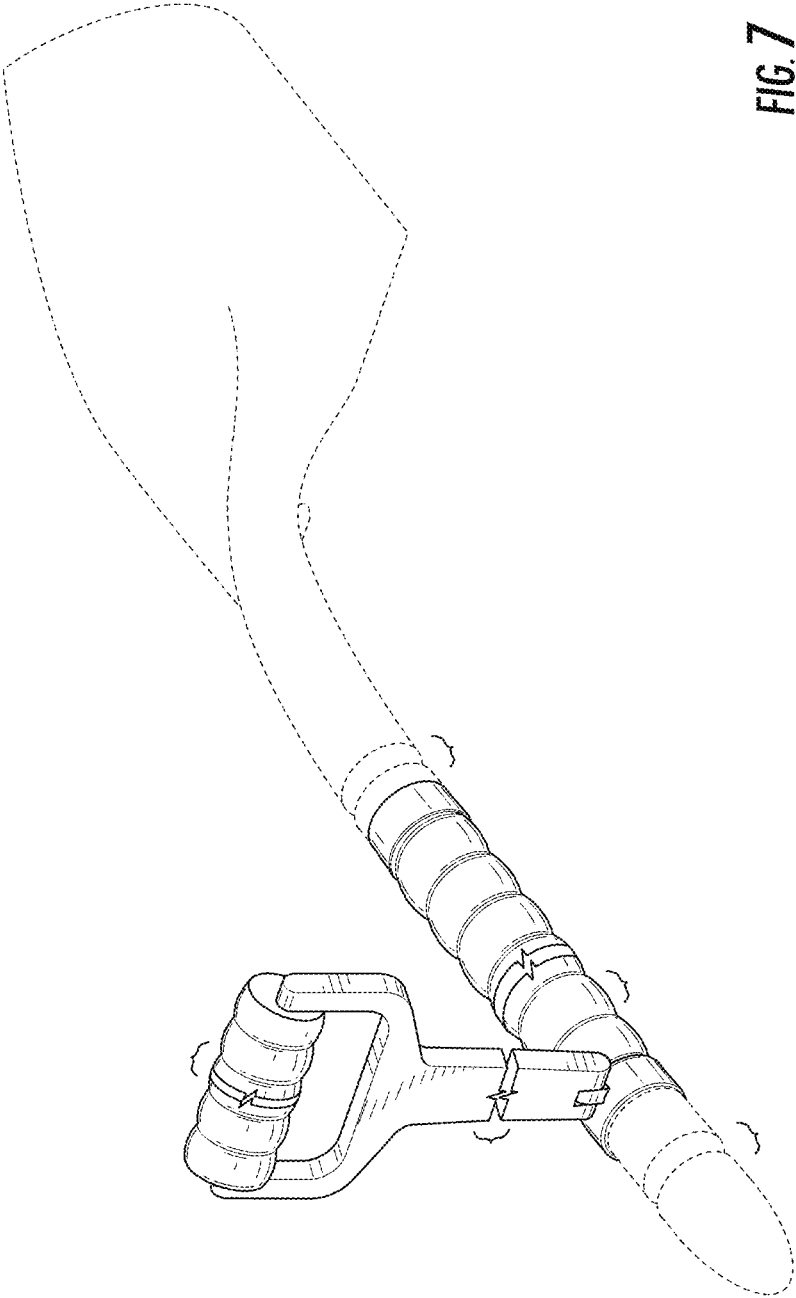


FIG. 7