



US00D732091S

(12) **United States Design Patent**  
**Ma**

(10) **Patent No.:** **US D732,091 S**

(45) **Date of Patent:** **\*\* Jun. 16, 2015**

(54) **MILLING AND DRILLING MACHINE**

(71) Applicant: **Shanghai SIEG Machinery Co., Ltd.**,  
Shanghai (CN)

(72) Inventor: **Jian Ma**, Shanghai (CN)

(73) Assignee: **Shanghai SIEG Machinery Co., Ltd.**,  
Shanghai (CN)

(\*\*) Term: **14 Years**

(21) Appl. No.: **29/490,304**

(22) Filed: **May 8, 2014**

(30) **Foreign Application Priority Data**

Apr. 21, 2014 (CN) ..... 2014 3 0097322

(51) **LOC (10) Cl.** ..... **15-09**

(52) **U.S. Cl.**  
USPC ..... **D15/132**

(58) **Field of Classification Search**  
USPC ..... D8/107, 300; D15/132; 29/560;  
144/1.1, 46, 253.2, 365; 408/20, 87,  
408/91, 103, 110, 129, 135, 140, 220, 227  
See application file for complete search history.

(56) **References Cited**

**U.S. PATENT DOCUMENTS**

3,314,312	A *	4/1967	Niehaus, Jr. et al.	.....	408/128
D285,797	S *	9/1986	Arehart	.....	D15/132
5,765,273	A *	6/1998	Mora et al.	.....	29/560
5,960,531	A *	10/1999	Mora et al.	.....	29/560
5,980,167	A *	11/1999	Chen	.....	408/87
D497,622	S *	10/2004	Theising et al.	.....	D15/134

D541,318	S *	4/2007	Etter et al.	.....	D15/132
D541,319	S *	4/2007	Etter et al.	.....	D15/132
D560,696	S *	1/2008	Leasure et al.	.....	D15/132
2006/0104731	A1 *	5/2006	Etter et al.	.....	408/16
2007/0166115	A1 *	7/2007	Pemberton et al.	.....	408/89
2013/0039710	A1 *	2/2013	van Valkenburg	.....	408/1 BD

\* cited by examiner

*Primary Examiner* — Patricia Palasik

(74) *Attorney, Agent, or Firm* — Jenkins, Wilson, Taylor & Hunt, P.A.

(57) **CLAIM**

The ornamental design for a milling and drilling machine design, as shown and described.

**DESCRIPTION**

FIG. 1 is a perspective view of the new design for our milling and drilling machine.

FIG. 2 is another perspective view of the milling and drilling machine of FIG. 1.

FIG. 3 is a front elevation view of the milling and drilling machine of FIG. 1.

FIG. 4 is a rear elevation view of the milling and drilling machine of FIG. 1.

FIG. 5 is a left elevation view of the milling and drilling machine of FIG. 1.

FIG. 6 is a right elevation view of the milling and drilling machine of FIG. 1.

FIG. 7 is a top plan view of the milling and drilling machine of FIG. 1; and,

FIG. 8 is a bottom plan view of the milling and drilling machine of FIG. 1.

The broken lines in the drawings depict unclaimed environmental subject matter.

**1 Claim, 8 Drawing Sheets**

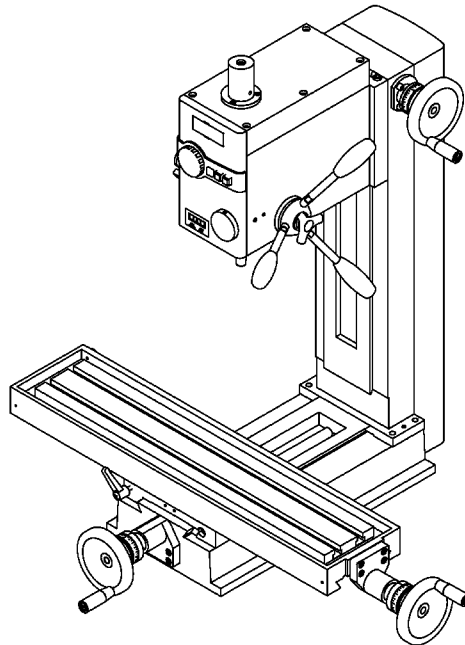
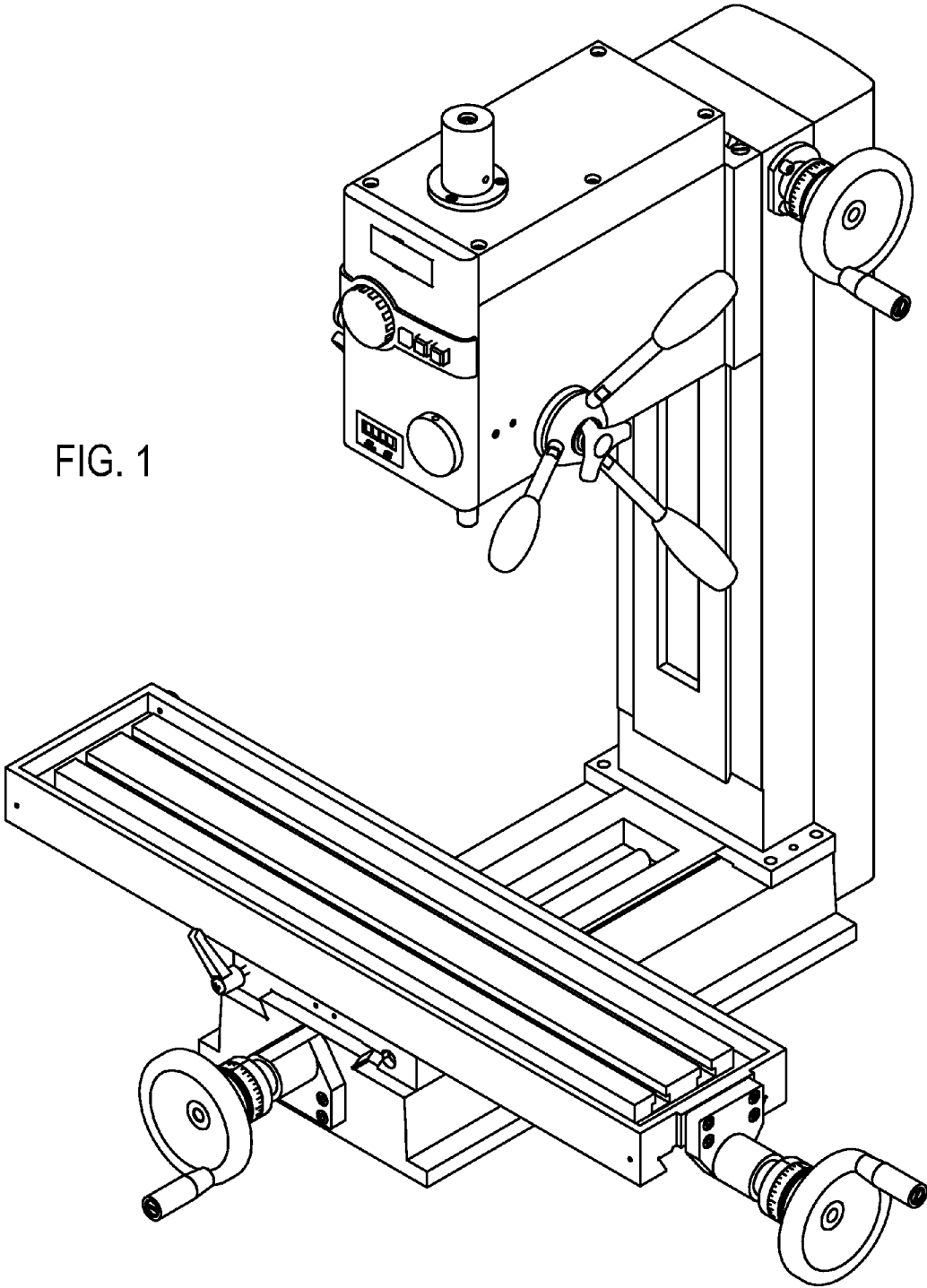


FIG. 1



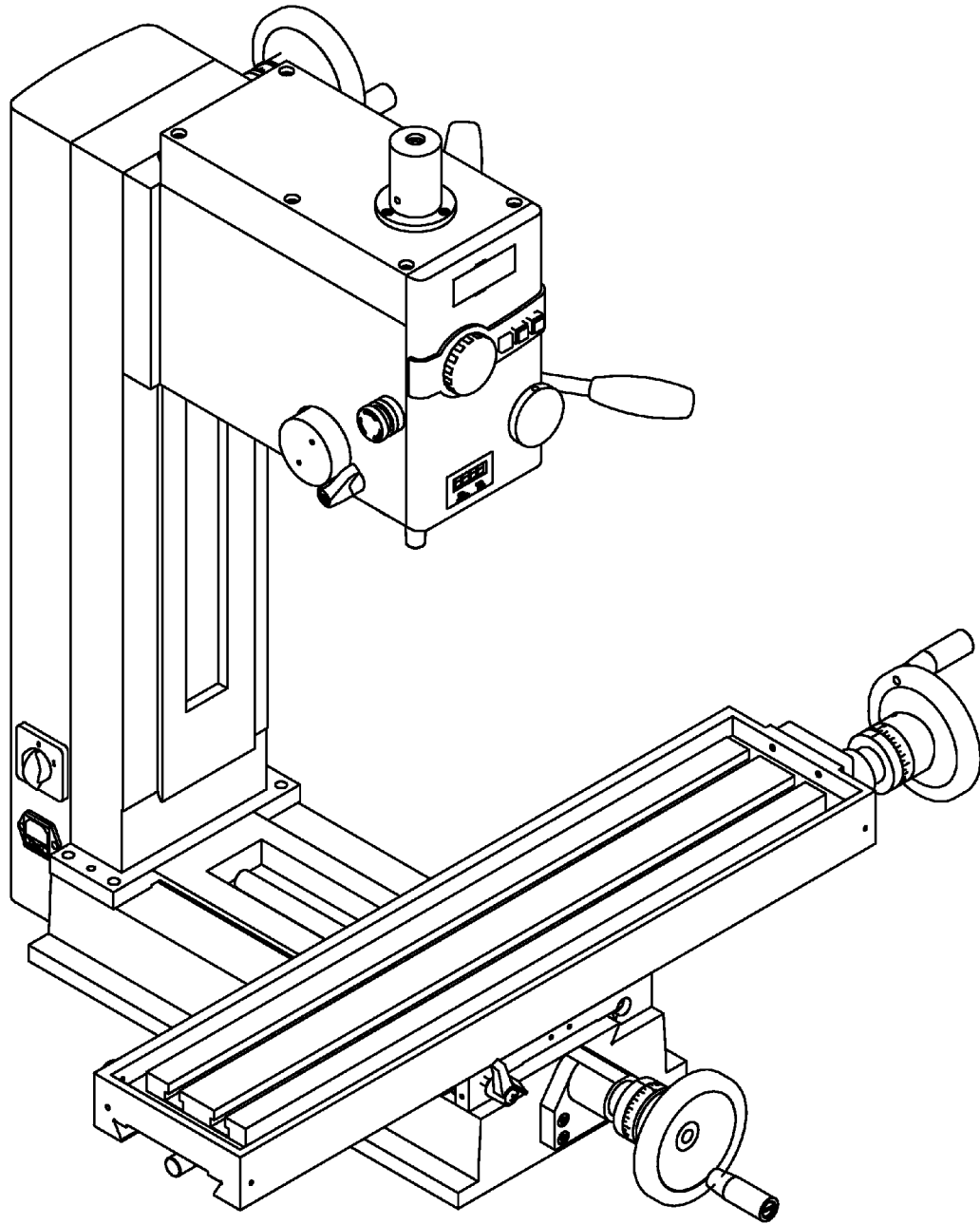
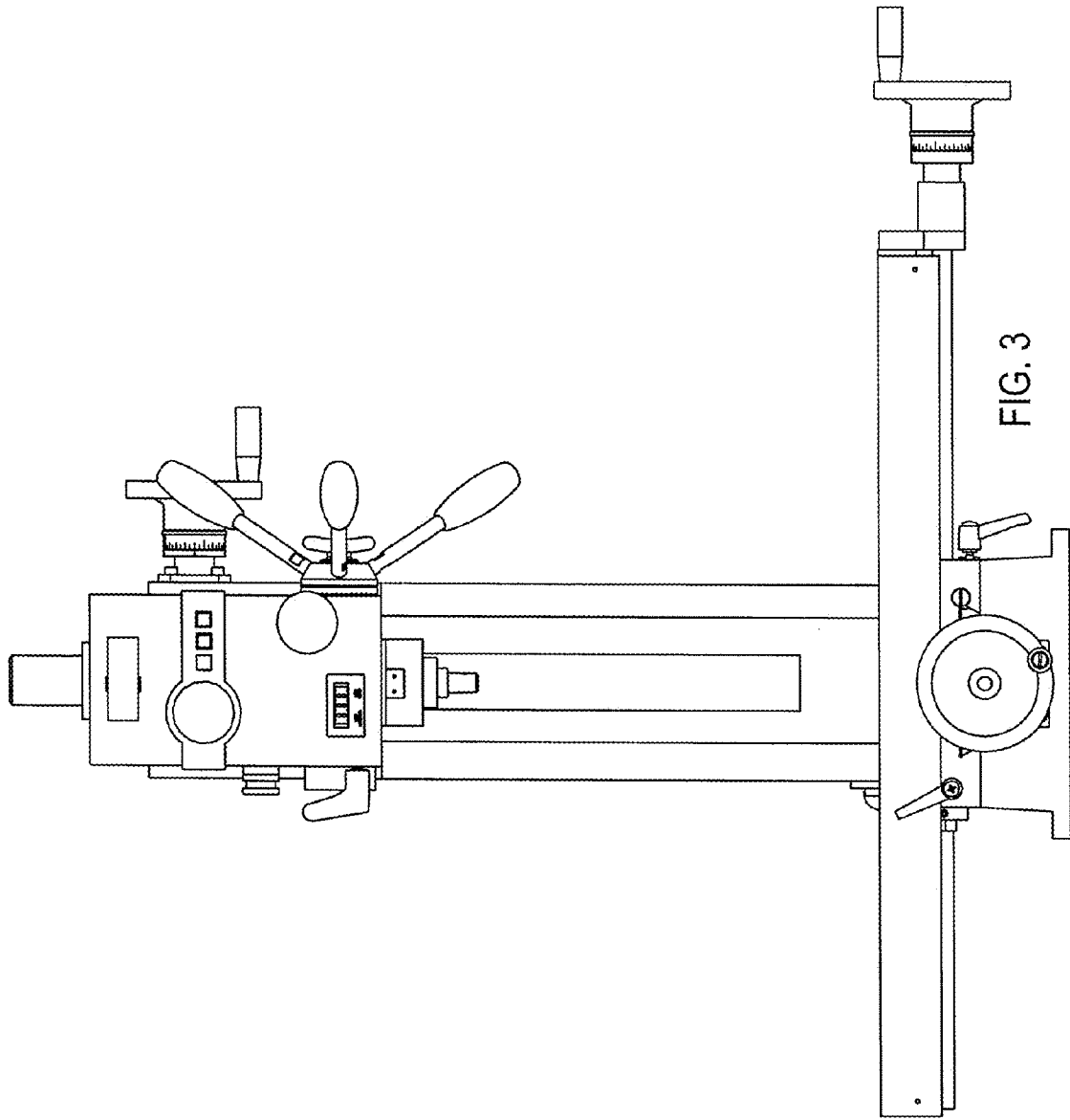
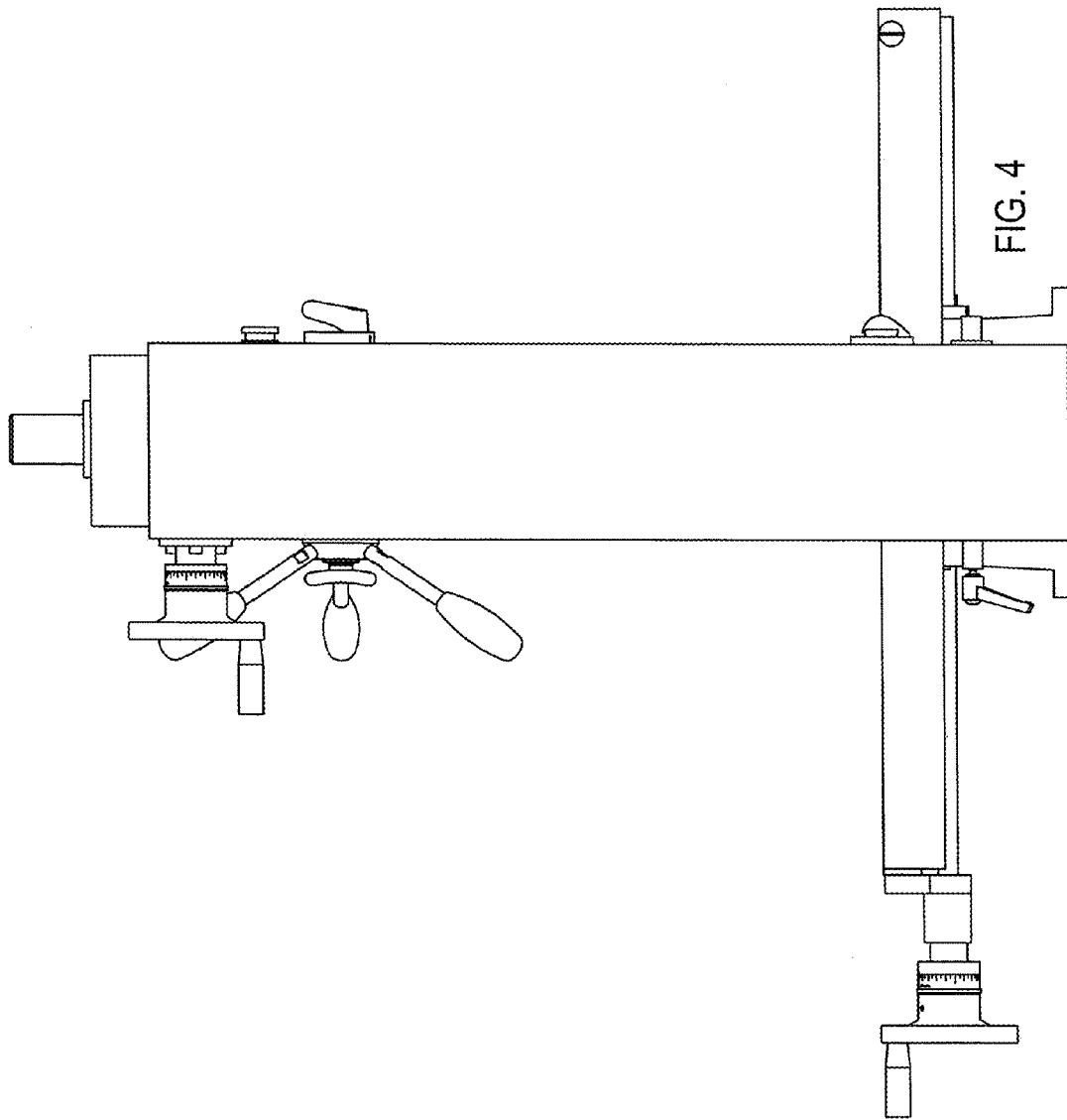
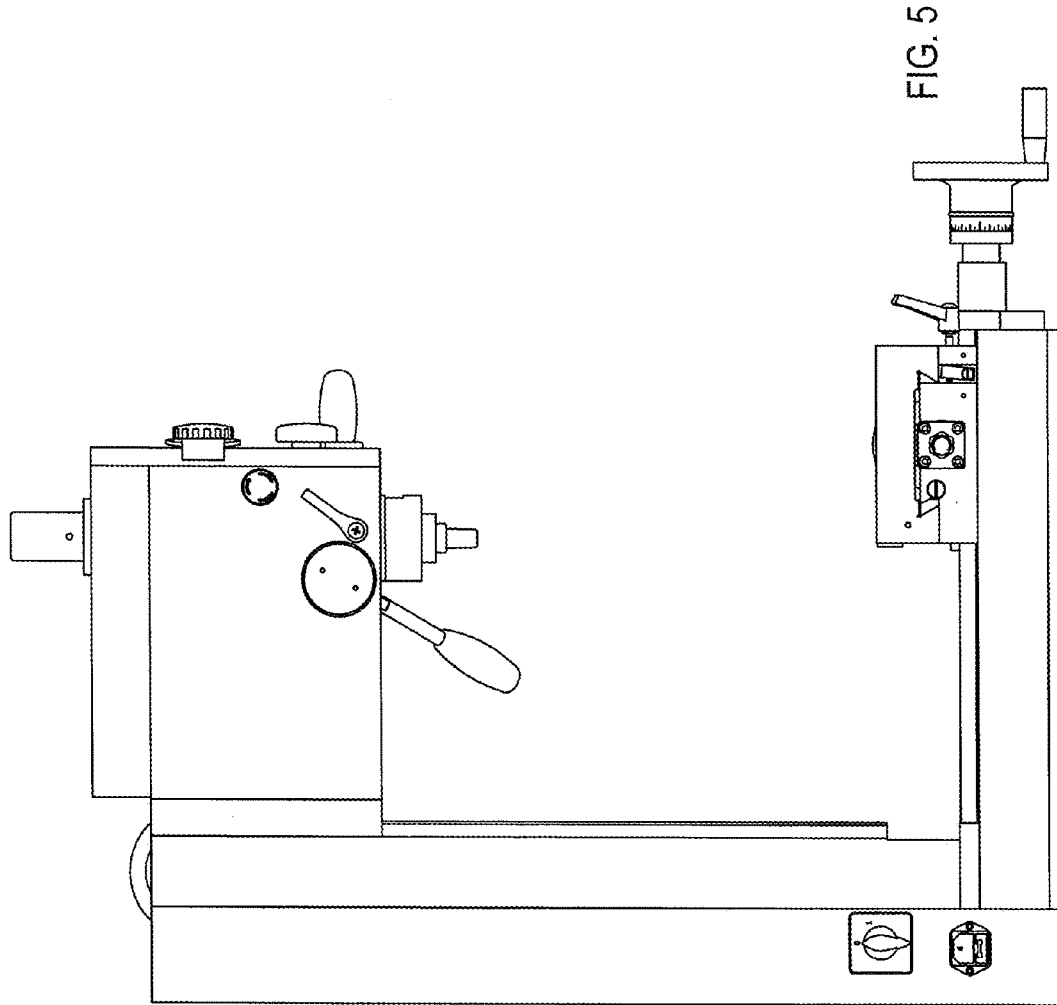


FIG. 2







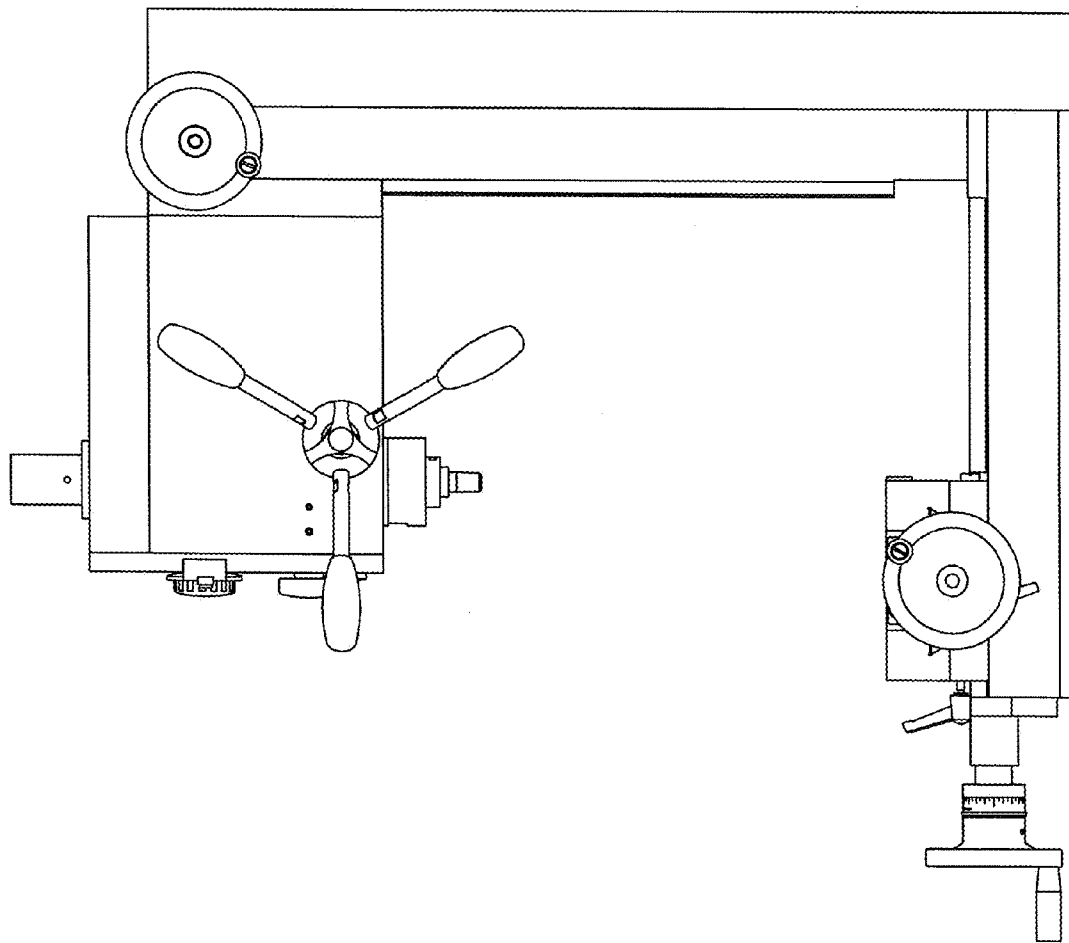


FIG. 6

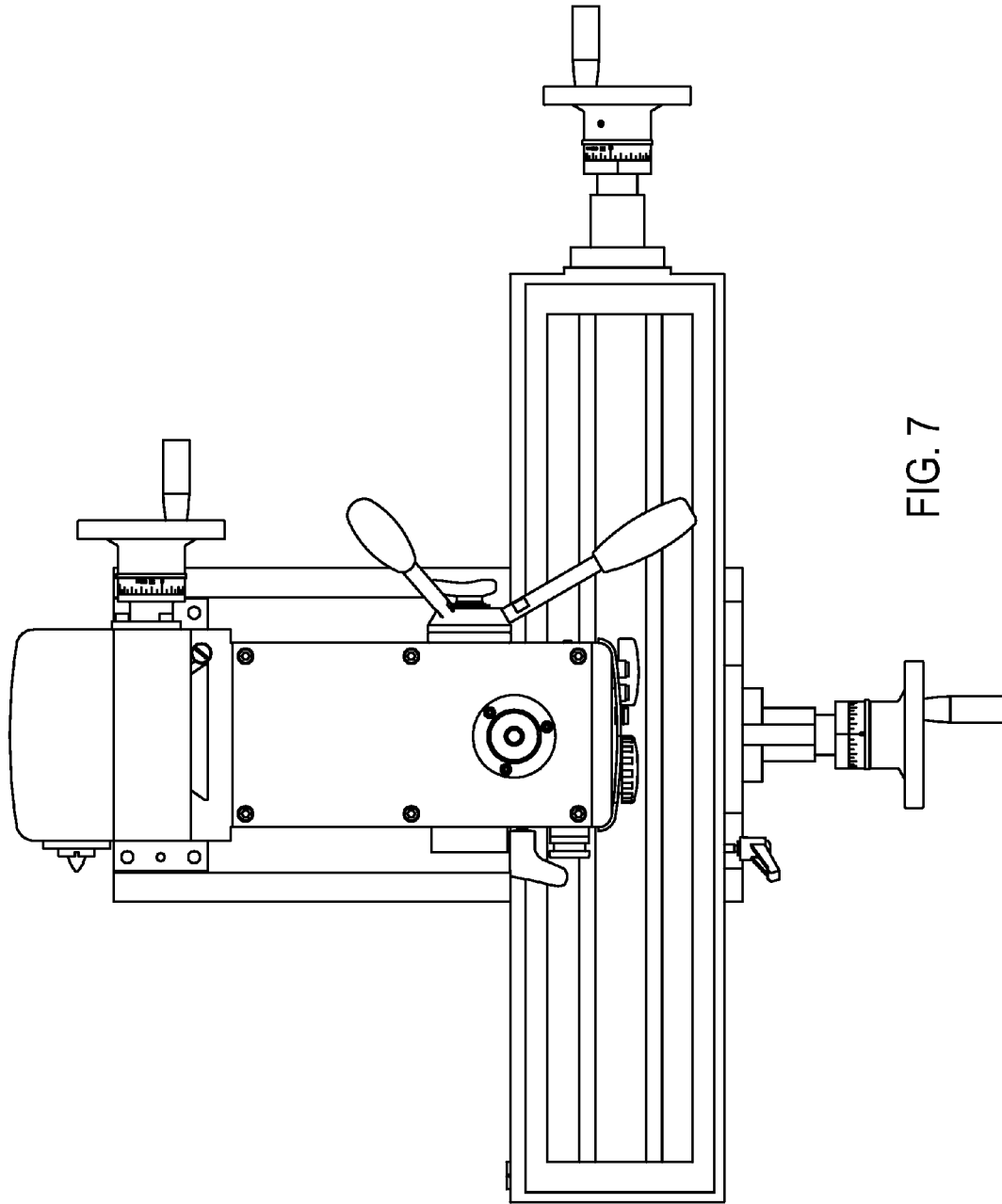


FIG. 7



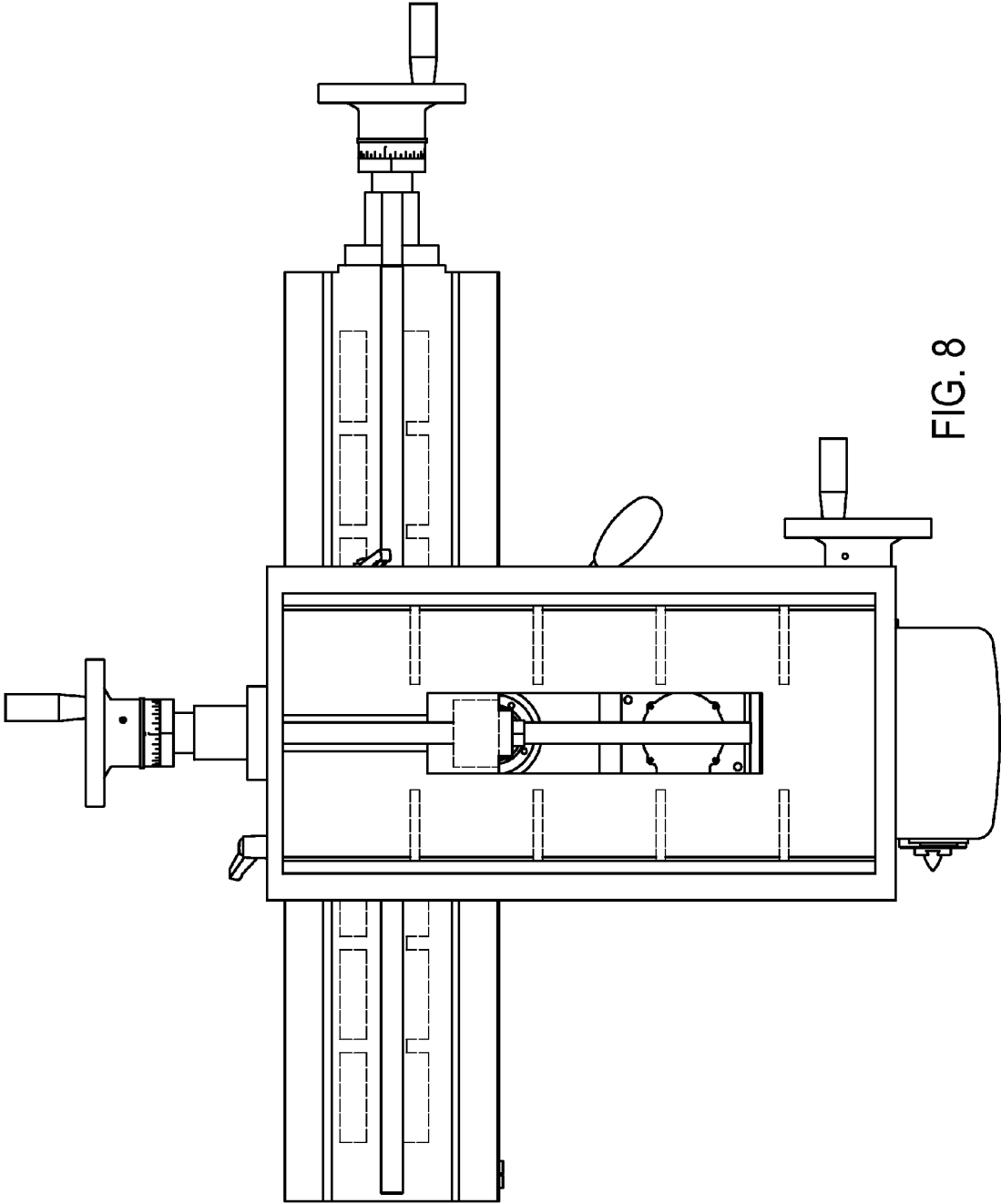


FIG. 8