



US00D720955S

(12) **United States Design Patent**
Lim

(10) **Patent No.:** **US D720,955 S**

(45) **Date of Patent:** **** Jan. 13, 2015**

- (54) **SOFA FRAME**
 - (71) Applicant: **Kok Jit Lim**, Greensboro, NC (US)
 - (72) Inventor: **Kok Jit Lim**, Greensboro, NC (US)
 - (**) Term: **14 Years**
 - (21) Appl. No.: **29/495,988**
 - (22) Filed: **Jul. 8, 2014**
 - (51) **LOC (10) Cl.** **06-01**
 - (52) **U.S. Cl.**
USPC **D6/719.2**
 - (58) **Field of Classification Search**
USPC D6/334, 335, 336, 379, 381, 719, 719.2,
D6/719.3; 297/94, 118, 232, 445.1, 448.1,
297/DIG. 7
- See application file for complete search history.

D509,374 S *	9/2005	Adair et al.	D6/381
D528,321 S *	9/2006	Adair et al.	D6/381
D536,900 S *	2/2007	Adair et al.	D6/381
D564,775 S *	3/2008	Adair et al.	D6/381
D564,776 S *	3/2008	Adair et al.	D6/381
D565,860 S *	4/2008	Lamb et al.	D6/381
D566,415 S *	4/2008	Adair et al.	D6/381
D567,529 S *	4/2008	Lamb et al.	D6/381
D567,532 S *	4/2008	Lamb et al.	D6/381
D569,125 S *	5/2008	Lamb et al.	D6/381
D587,479 S *	3/2009	Thompson	D6/381

* cited by examiner

Primary Examiner — Sandra Snapp

(74) *Attorney, Agent, or Firm* — Blake P. Hurt

(57) **CLAIM**

The ornamental design for a sofa frame, as shown and described.

DESCRIPTION

FIG. 1 is a top, front, left side perspective view of a sofa frame showing my new design;

FIG. 2 is a front elevational view thereof;

FIG. 3 is a right side elevational view thereof;

FIG. 4 is a left side elevational view thereof;

FIG. 5 is a top plan view thereof;

FIG. 6 is a rear elevational view thereof; and

FIG. 7 is a bottom plan view thereof; and,

FIG. 8 is a top, front, left side perspective view of a second embodiment of a sofa frame shown broken away for indeterminate length, that being the only difference from the embodiment shown in FIGS. 1-7.

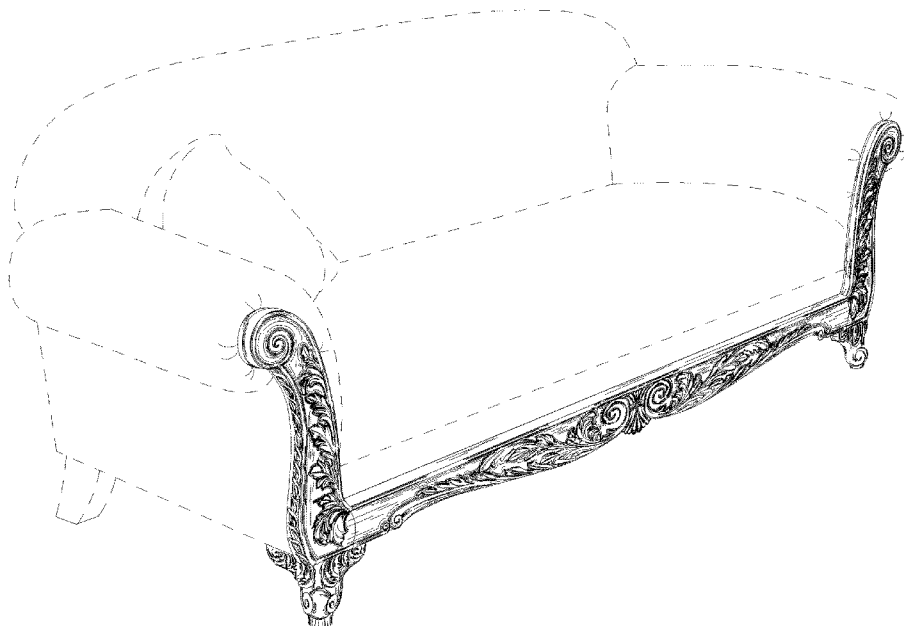
The broken lines are for environmental purposes only and form no part of the claimed design.

1 Claim, 8 Drawing Sheets

(56) **References Cited**

U.S. PATENT DOCUMENTS

D428,725 S *	8/2000	Lee	D6/381
D444,310 S *	7/2001	Lee	D6/381
D447,883 S *	9/2001	Meier et al.	D6/381
D459,605 S *	7/2002	Greene	D6/381
D459,607 S *	7/2002	Gibson	D6/381
D472,077 S *	3/2003	Meier et al.	D6/491
D483,196 S *	12/2003	Ricci	D6/381
D484,338 S *	12/2003	Lenger	D6/500
D489,917 S *	5/2004	Adair et al.	D6/381
D490,623 S *	6/2004	Smith et al.	D6/381
D497,502 S *	10/2004	Lenger	D6/500
D498,096 S *	11/2004	Lenger	D6/500
D499,572 S *	12/2004	Mohundro	D6/381
D501,614 S *	2/2005	Roscoe et al.	D6/381
D502,020 S *	2/2005	Mohundro	D6/381
D504,031 S *	4/2005	Ricci	D6/381



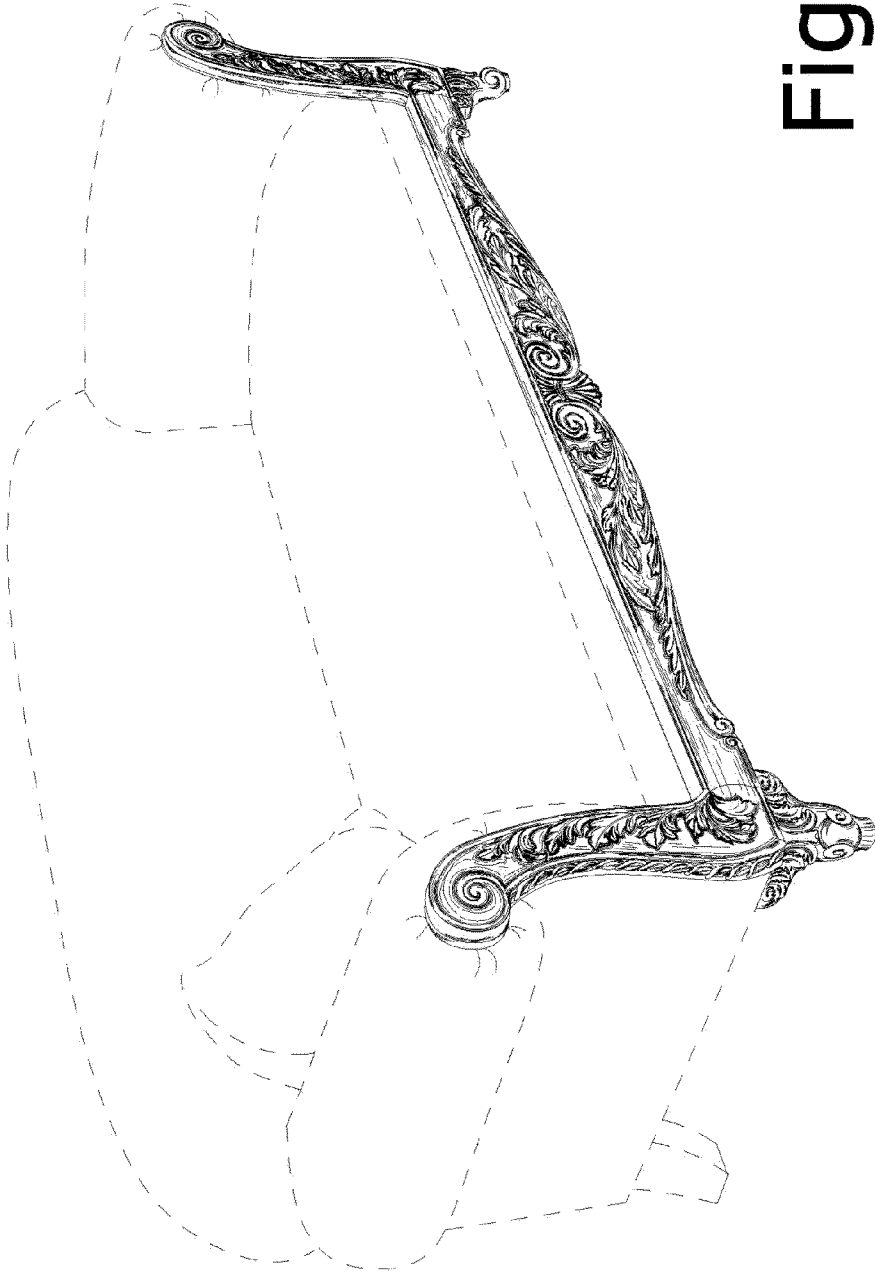


Fig. 1

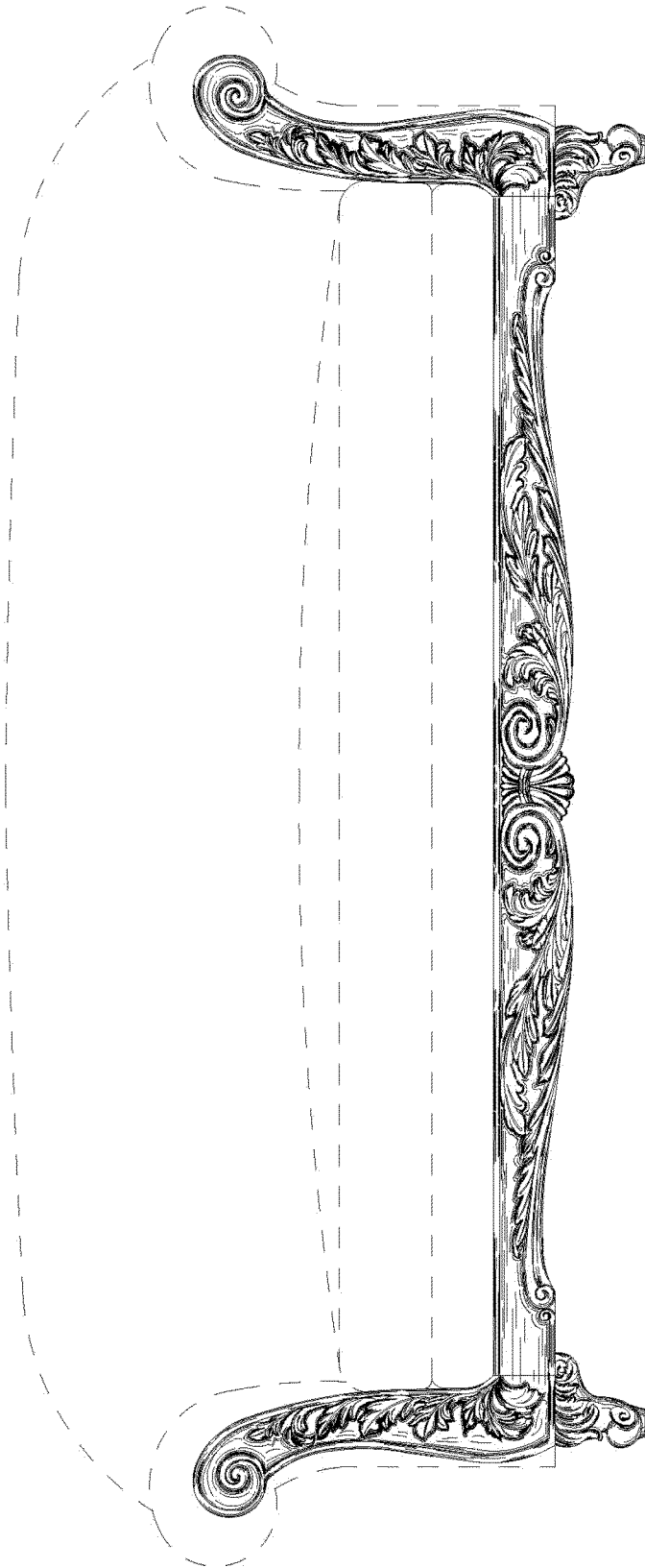


Fig. 2

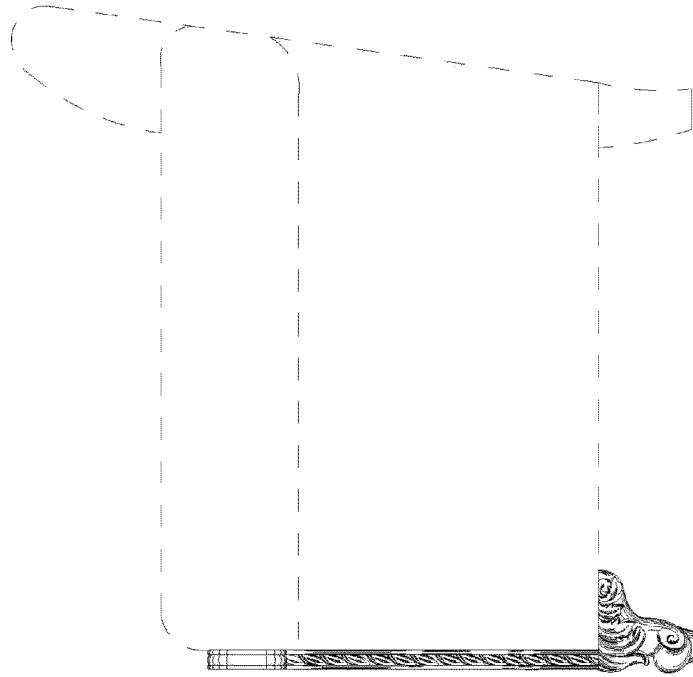


Fig. 3

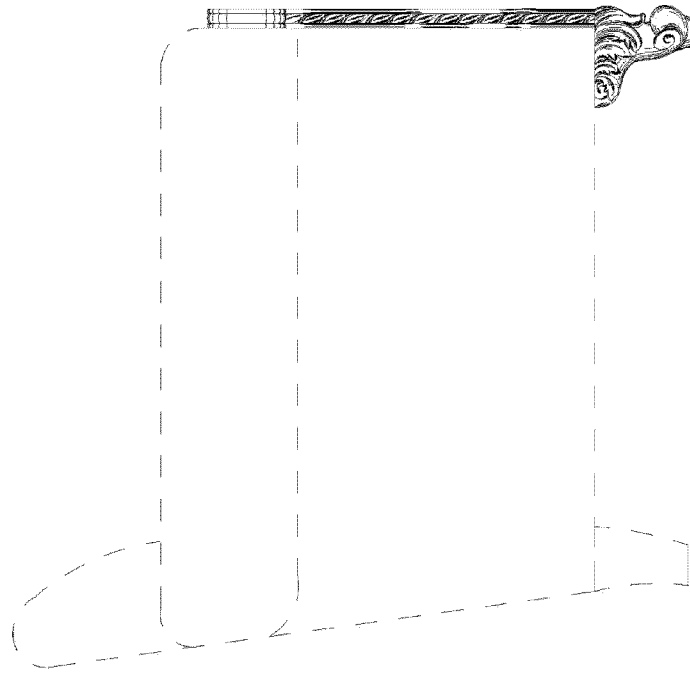


Fig. 4

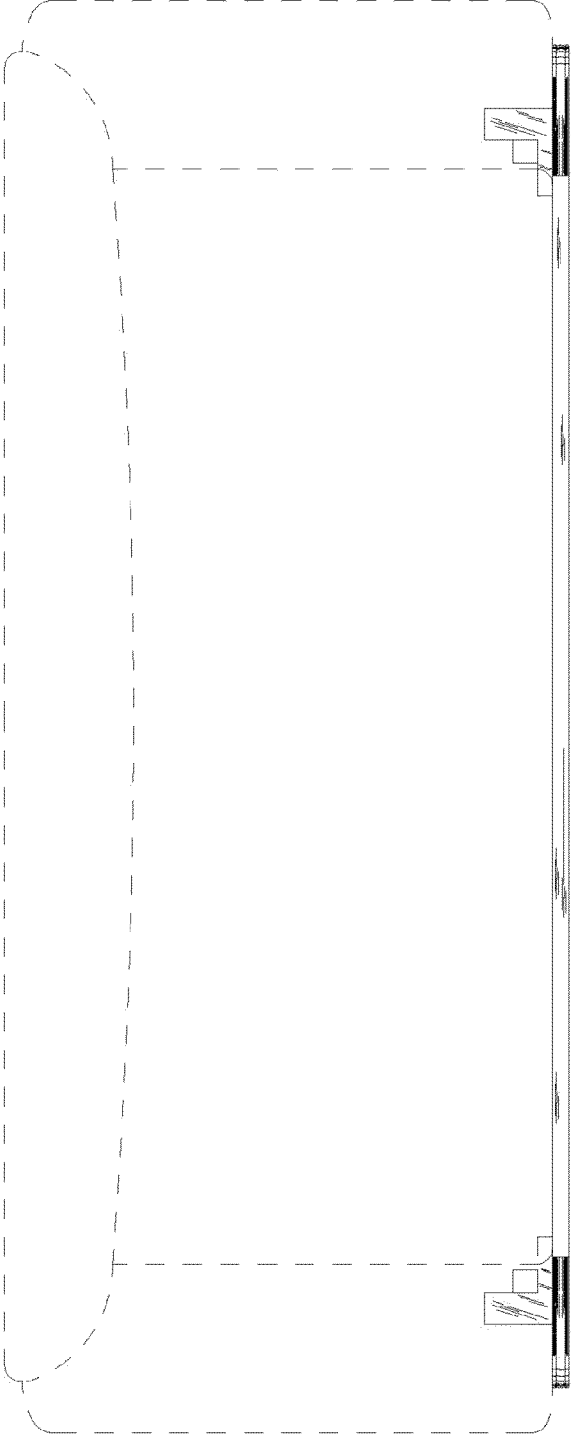


Fig. 5



Fig. 6

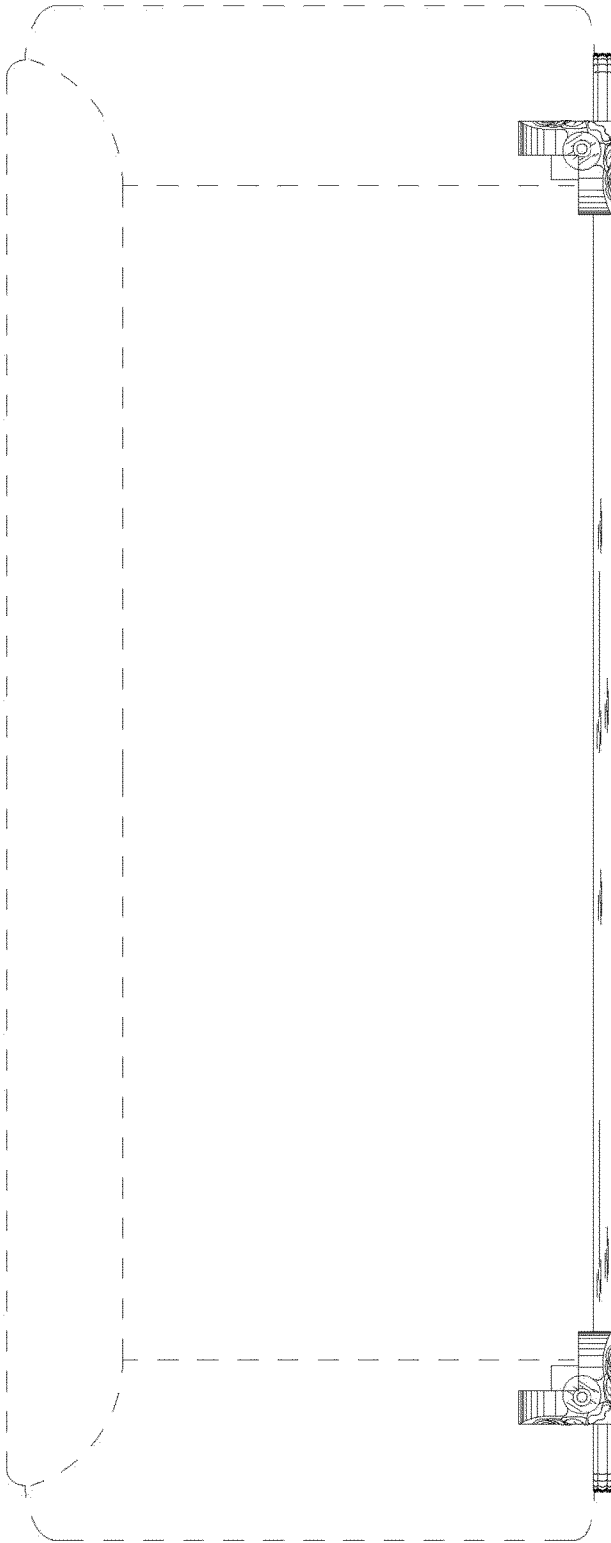


Fig. 7

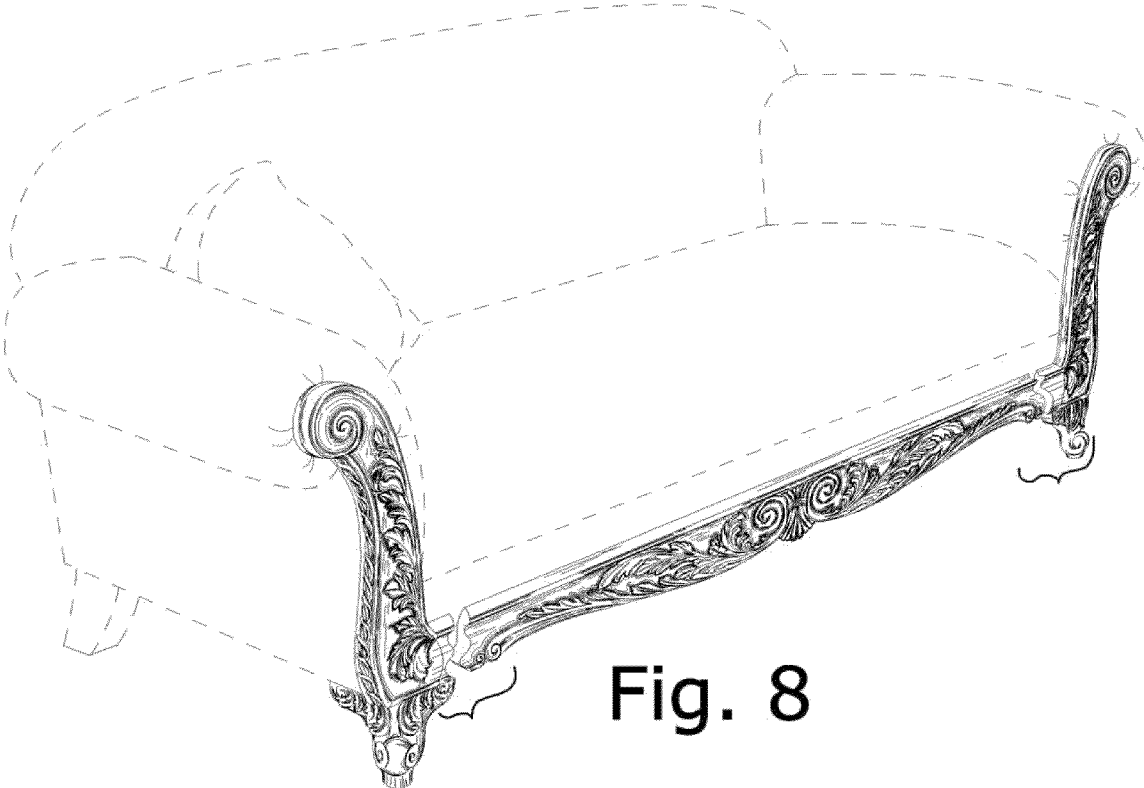


Fig. 8