



US00D620195S

(12) **United States Design Patent**  
**Overend et al.**

(10) **Patent No.:** **US D620,195 S**

(45) **Date of Patent:** **\*\* \*Jul. 20, 2010**

(54) **HAIR IRON**

(75) Inventors: **Paul Overend**, Riddlesden (GB); **John Hein**, Leeds (GB)

(73) Assignee: **Jemella Group Limited**, Silsden (GB)

(\* ) Notice: This patent is subject to a terminal disclaimer.

(\*\*) Term: **14 Years**

(21) Appl. No.: **29/321,245**

(22) Filed: **Jul. 14, 2008**

**Related U.S. Application Data**

(63) Continuation-in-part of application No. 29/280,972, filed on Jun. 12, 2007, now Pat. No. Des. 575,453, and a continuation-in-part of application No. 29/246,625, filed on Apr. 27, 2006, now Pat. No. Des. 544,646.

(30) **Foreign Application Priority Data**

Aug. 11, 2005 (EM) ..... 429501-0001

Aug. 11, 2005 (EM) ..... 429501-0002

(51) **LOC (9) Cl.** ..... **28-03**

(52) **U.S. Cl.** ..... **D28/35**

(58) **Field of Classification Search** ..... D28/35-38;  
132/222-229, 232, 125, 234, 245; 219/222,  
219/225-227

See application file for complete search history.

(56) **References Cited**

**U.S. PATENT DOCUMENTS**

D544,646 S \* 6/2007 Overend ..... D28/35

(Continued)

**FOREIGN PATENT DOCUMENTS**

DE 19907721 A1 3/2000

(Continued)

**OTHER PUBLICATIONS**

NeoCurl Cordless Straightener—Retrieved online Sep. 11, 2007 from Internet Archive website using Internet URL: [http://www.web.archive.org/web/20060820075906/http://www.hairstuffdirect.co.uk/prod\\_neocurl.htm](http://www.web.archive.org/web/20060820075906/http://www.hairstuffdirect.co.uk/prod_neocurl.htm). Last access to this website was retrieved online Sep. 26, 2006 from Salon Creative Pro [SCP] website using Internet URL: [http://www.hairstuffdirect.co.uk/prod\\_neocurl.htm](http://www.hairstuffdirect.co.uk/prod_neocurl.htm).

(Continued)

*Primary Examiner*—Jennifer Rivard

(74) *Attorney, Agent, or Firm*—Adams Intellectual Property Law

(57) **CLAIM**

We claim the ornamental design for a hair iron, as shown and described.

**DESCRIPTION**

FIG. 1 is a top, left side and front perspective view of a hair iron showing the new design;

FIG. 2 is a top plan view thereof;

FIG. 3 is a bottom plan view thereof;

FIG. 4 is a front end view thereof;

FIG. 5 is a rear end view thereof;

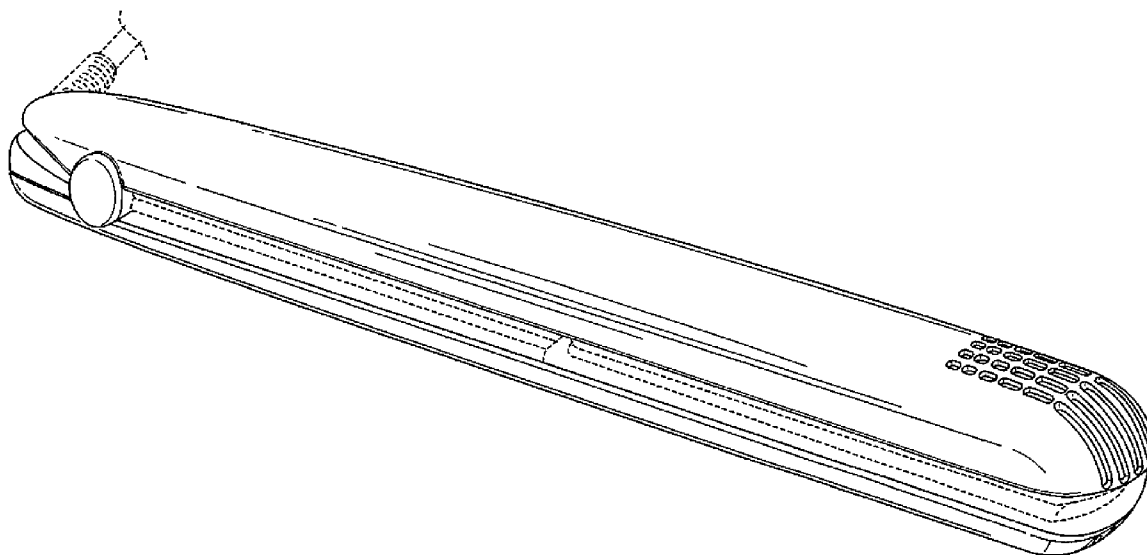
FIG. 6 is a right side elevation view thereof, the left side being a mirror image of the right side; and,

FIG. 7 is a detailed view of a portion of the front end.

The front end portion is shown separately for convenience of illustration.

The broken lines shown in the drawings illustrate portions of the article and form no part of the claimed design.

**1 Claim, 4 Drawing Sheets**



# US D620,195 S

Page 2

## U.S. PATENT DOCUMENTS

D575,453 S \* 8/2008 Overend ..... D28/35  
D581,592 S \* 11/2008 Hein ..... D28/35  
D596,794 S \* 7/2009 Keong ..... D28/35  
D598,163 S \* 8/2009 Overend et al. .... D28/35  
D598,164 S \* 8/2009 Overend et al. .... D28/35

## FOREIGN PATENT DOCUMENTS

EP 0352879 A2 1/1990  
EP 1112701 A1 7/2001  
EP 1402798 A1 3/2004  
GB 2123286 A 2/1984

WO 9939608 A1 8/1999  
WO 03039290 A2 5/2003  
WO 03056971 A1 7/2003  
WO 2004073446 A2 9/2004

## OTHER PUBLICATIONS

Global Beauty Ceramic Hair Straightener—Retrieved online Sep. 11, 2007 from folica.com website using Internet URL: [http://www.folica.com/Global\\_Beauty\\_C\\_d1564.html](http://www.folica.com/Global_Beauty_C_d1564.html). Last access to this website was retrieved online Sep. 26, 2006 from folica.com website using Internet URL: [http://www.folica.com/Global\\_Beauty\\_C\\_d1564.html](http://www.folica.com/Global_Beauty_C_d1564.html).

\* cited by examiner

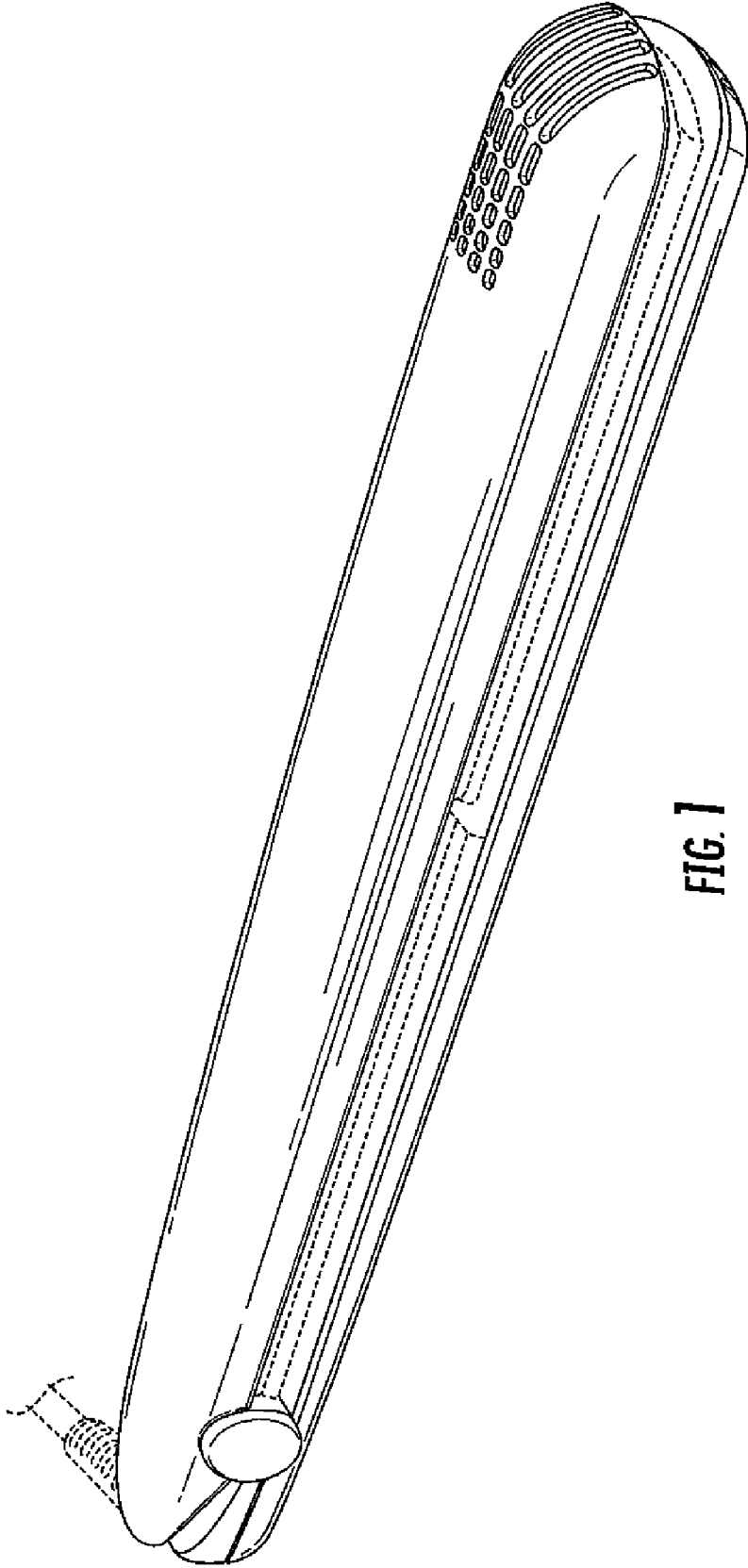
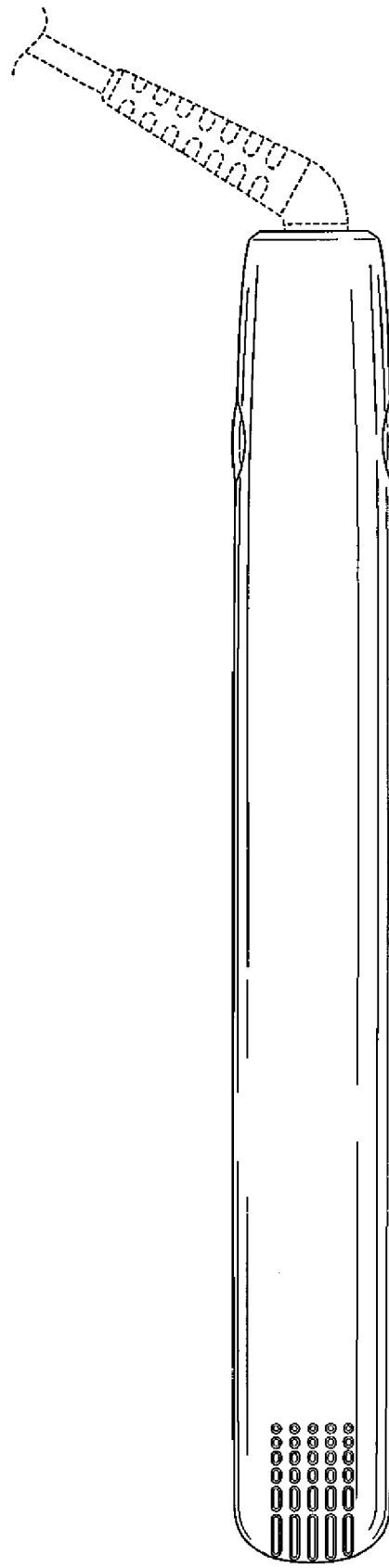
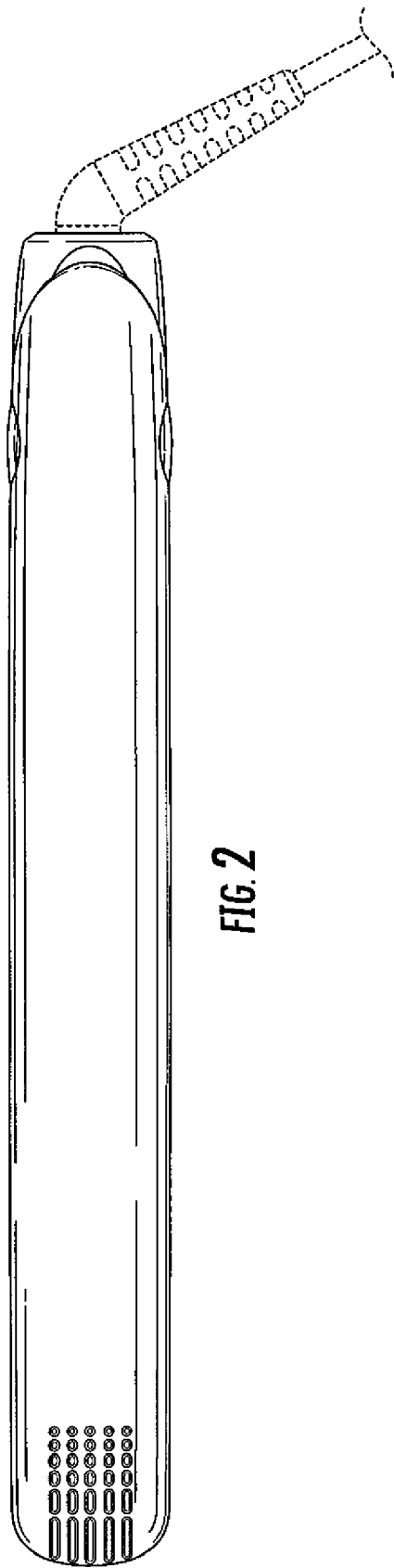


FIG. 1



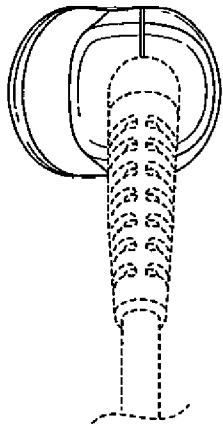


FIG. 5

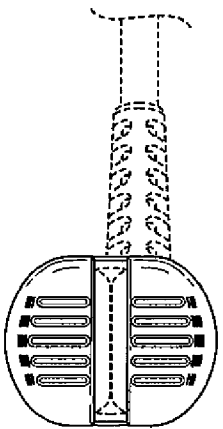


FIG. 4

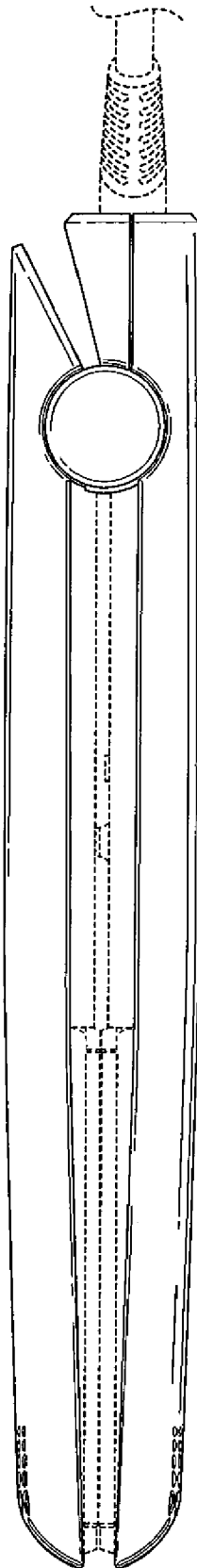


FIG. 6

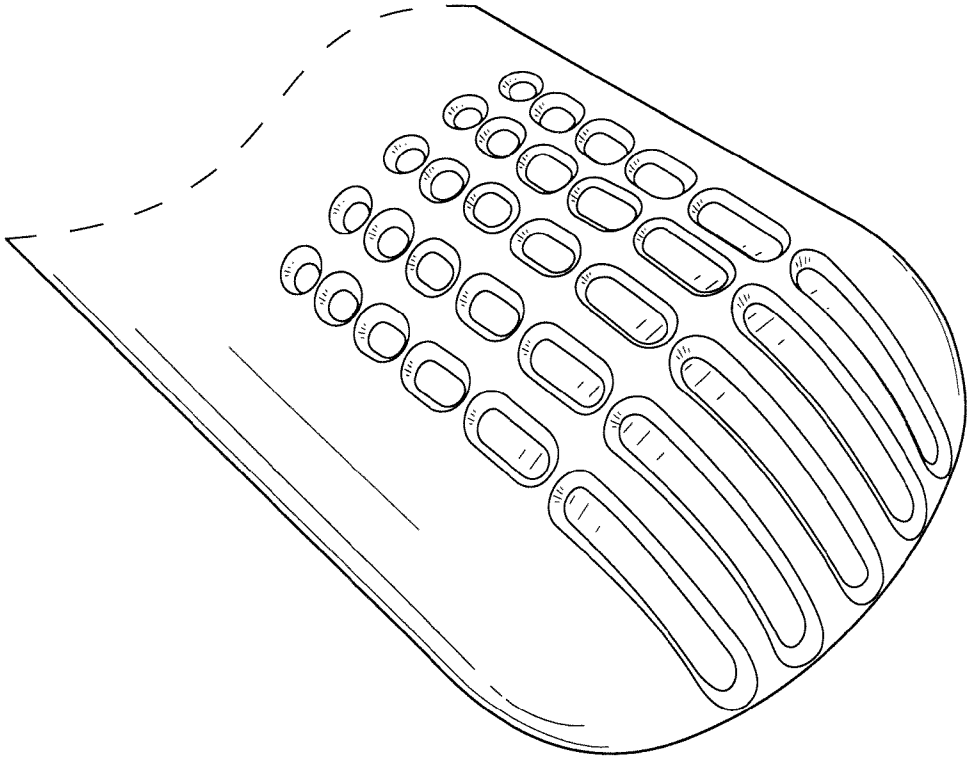


FIG. 7