



US0D1016705S

(12) **United States Design Patent**
Han

(10) **Patent No.:** **US D1,016,705 S**

(45) **Date of Patent:** **** Mar. 5, 2024**

(54) **AUTOMOTIVE WHEEL**

(71) Applicant: **Donnie Han**, Irvine, CA (US)

(72) Inventor: **Donnie Han**, Irvine, CA (US)

(**) Term: **15 Years**

(21) Appl. No.: **29/782,011**

(22) Filed: **May 3, 2021**

(51) **LOC (14) Cl.** **12-16**

(52) **U.S. Cl.**
USPC **D12/211**

(58) **Field of Classification Search**
USPC D12/204–213, 501; D21/563, 779
CPC B60B 7/00; B60B 7/01; B60B 7/02; B60B
7/04; B60B 7/06; B60B 3/02; B60B 3/04;
B60B 3/06; B60B 3/10; B60B 1/00;
B60B 1/08; B60B 1/10; B60B 1/12
See application file for complete search history.

(56) **References Cited**

U.S. PATENT DOCUMENTS

D846,478 S * 4/2019 Kovacs D12/209
D857,592 S * 8/2019 Han D12/209

D863,184 S * 10/2019 Han D12/209
D863,185 S * 10/2019 Han D12/209
D863,190 S * 10/2019 Han D12/209
D874,375 S * 2/2020 Han D12/209
D877,676 S * 3/2020 Lee D12/209
D894,077 S * 8/2020 Lee D12/209
D929,292 S * 8/2021 Han D12/209
D930,546 S * 9/2021 Han D12/209
D937,737 S * 12/2021 Han D12/209
D941,730 S * 1/2022 Podlovits D12/209
D942,352 S * 2/2022 Han D12/209
D988,960 S * 6/2023 Lee D12/209

* cited by examiner

Primary Examiner — Cary M Robinson

Assistant Examiner — Adam C Mager

(57) **CLAIM**

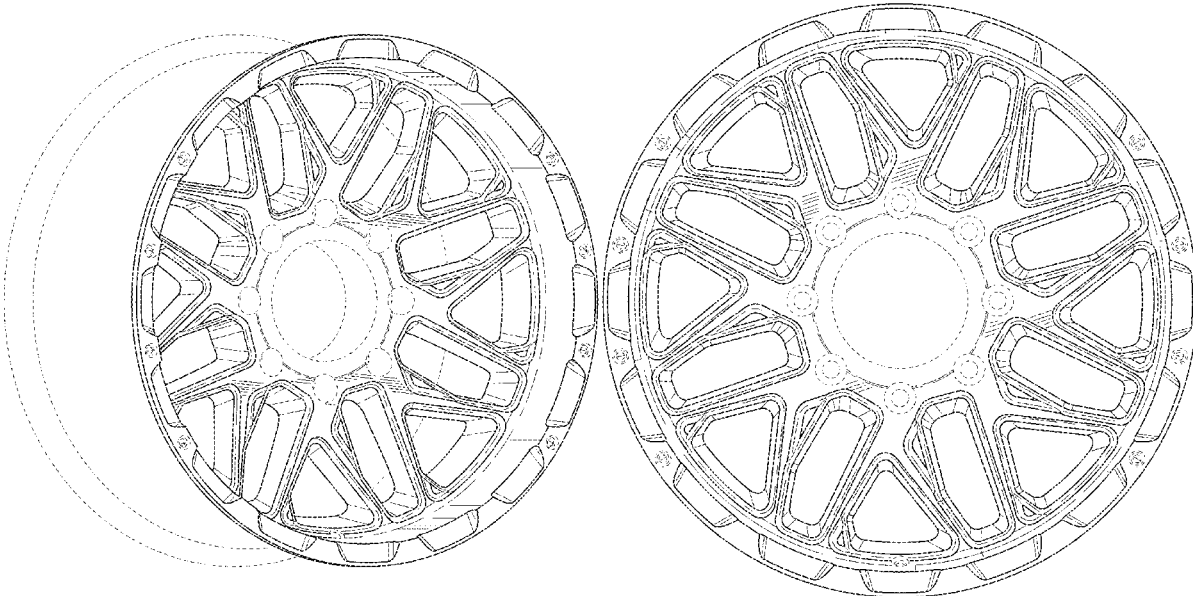
The ornamental design for an automotive wheel, as shown and described.

DESCRIPTION

FIG. 1 is a perspective view of an automotive wheel, showing my new design; and, FIG. 2 is a front view thereof.

The broken lines shown in the drawings are for the purpose of illustrating portions of the automotive wheel that form no part of the claimed design.

1 Claim, 2 Drawing Sheets



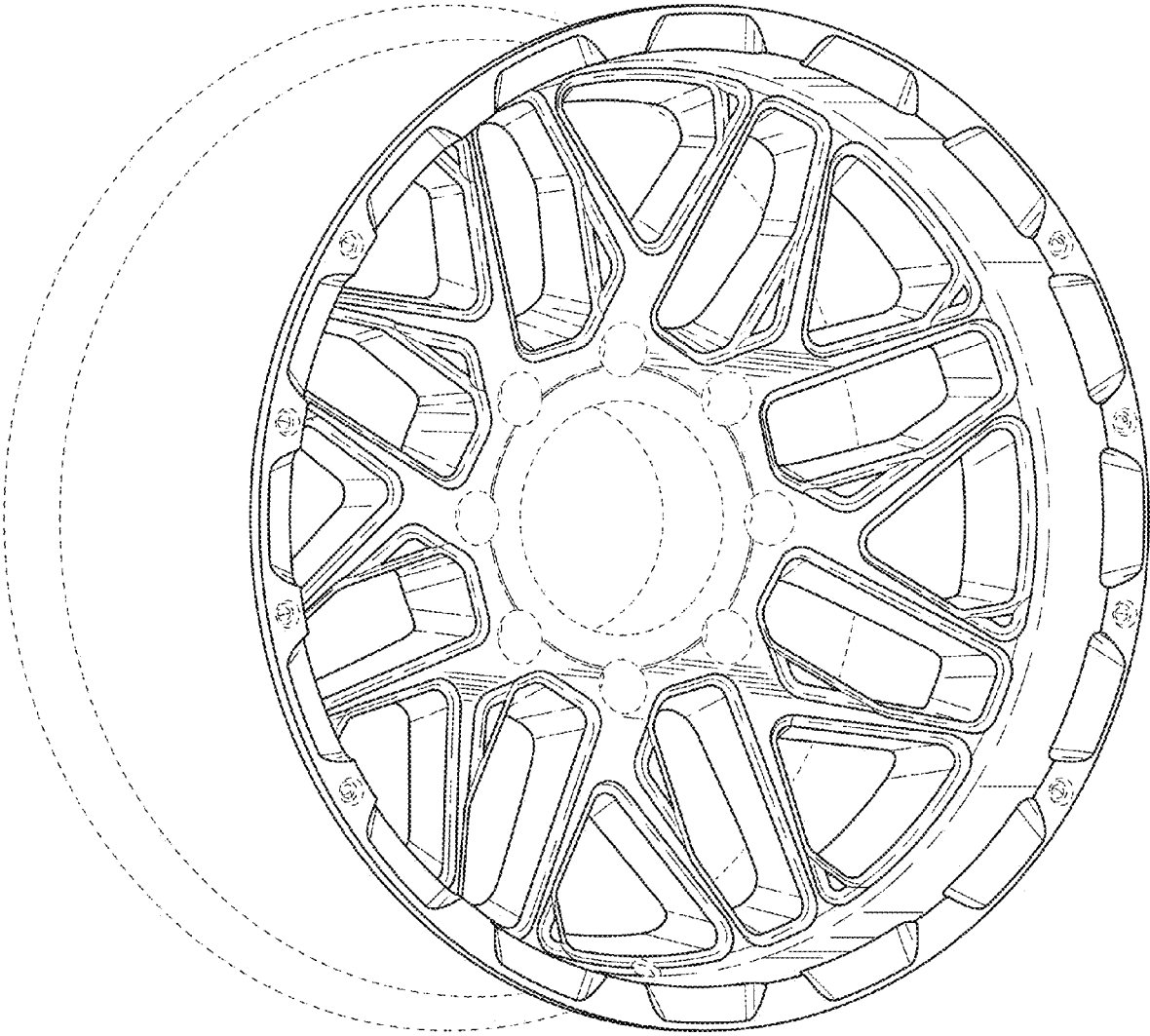


FIGURE 1

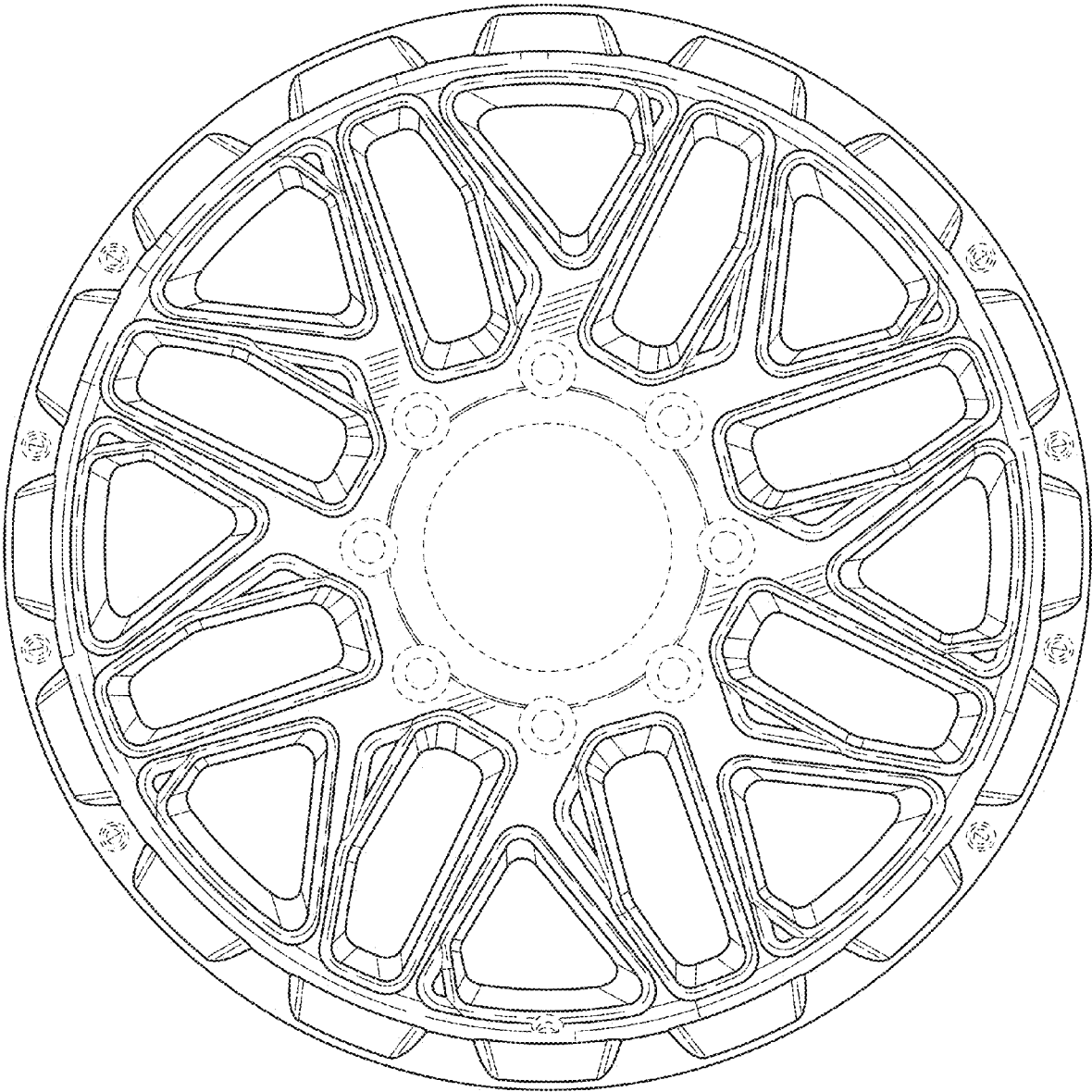


FIGURE 2