

(19) World Intellectual Property Organization
International Bureau



(43) International Publication Date
8 November 2001 (08.11.2001)

PCT

(10) International Publication Number
WO 01/084153 A3

(51) International Patent Classification⁷: G01N 33/543, 33/558

(21) International Application Number: PCT/US01/11773

(22) International Filing Date: 11 April 2001 (11.04.2001)

(25) Filing Language: English

(26) Publication Language: English

(30) Priority Data:
09/551,496 18 April 2000 (18.04.2000) US

(71) Applicant: IDEXX LABORATORIES, INC. [US/US];
One IDEXX Drive, Westbrook, ME 04092 (US).

(72) Inventors: CLARK, Scott, M.; 6 Brentwood Road, Cape Elizabeth, ME 04107 (US). SUVA, Robert, H.; 215 Pope Road, Windham, ME 04062 (US). KEPRON, Michael, R.; 26 Ridge View Drive, Standish, ME 04084 (US). BARSKI, Stanislaw, Jr.; 428 Stone Hill Road, Limerick, ME 04048 (US). WORKMAN, Erwin, F., Jr.; 3 Hunts Point Road, Cape Elizabeth, ME 04170 (US).

(74) Agents: HILLMAN, Lisa, M., W. et al.; McDonnell Boehnen Hulbert & Berghoff, 300 South Wacker Drive, Suite 3200, Chicago, Illinois 60606 (US).

(81) Designated States (*national*): AE, AG, AL, AM, AT, AU, AZ, BA, BB, BG, BR, BY, BZ, CA, CH, CN, CO, CR, CU, CZ, DE, DK, DM, DZ, EE, ES, FI, GB, GD, GE, GH, GM, HR, HU, ID, IL, IN, IS, JP, KE, KG, KP, KR, KZ, LC, LK, LR, LS, LT, LU, LV, MA, MD, MG, MK, MN, MW, MX, MZ, NO, NZ, PL, PT, RO, RU, SD, SE, SG, SI, SK, SL, TJ, TM, TR, TT, TZ, UA, UG, UZ, VN, YU, ZA, ZW.

(84) Designated States (*regional*): ARIPO patent (GH, GM, KE, LS, MW, MZ, SD, SL, SZ, TZ, UG, ZW), Eurasian patent (AM, AZ, BY, KG, KZ, MD, RU, TJ, TM), European patent (AT, BE, CH, CY, DE, DK, ES, FI, FR, GB, GR, IE, IT, LU, MC, NL, PT, SE, TR), OAPI patent (BF, BJ, CF, CG, CI, CM, GA, GN, GW, ML, MR, NE, SN, TD, TG).

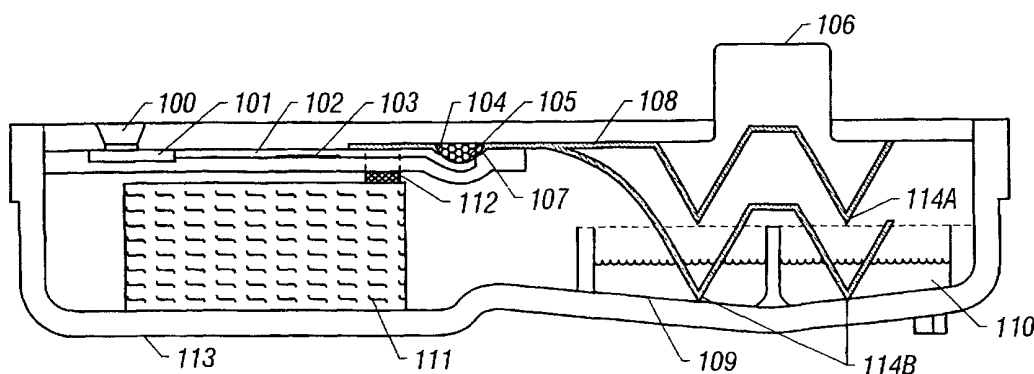
Published:

- with international search report
- before the expiration of the time limit for amending the claims and to be republished in the event of receipt of amendments

(88) Date of publication of the international search report:
11 July 2002

For two-letter codes and other abbreviations, refer to the "Guidance Notes on Codes and Abbreviations" appearing at the beginning of each regular issue of the PCT Gazette.

(54) Title: DIAGNOSTIC DEVICE WITH MULTIPLE INDEPENDENT FLOW PATHS



(57) Abstract: Devices and methods for performing assays to determine the presence or quantity of a specific analyte of interest in a fluid sample. In devices according to this invention two separate flow paths are established sequentially in the device with a single user activation step. The first flow path delivers the analyte of interest (if present in the sample) and conjugate soluble binding reagents to the solid phase. If analyte is present, an analyte:conjugate complex is formed and immobilized. The volume of sample delivered by this first path is determined by the absorbent capacity of the solid phase, and not by the amount of sample added to the device, relieving the user from the necessity of measuring the sample. The sample/conjugate mixture is prevented from entering the second flow path because the capillarity and the surface energy of the second flow path prevent it from being wetted by this mixture. The second flow path allows a wash reagent to remove unbound conjugate and sample from the solid phase to the absorbant, and optionally to deliver detection reagents.



WO 01/084153 A3

INTERNATIONAL SEARCH REPORT

International Application No

PCT/US 01/11773

A. CLASSIFICATION OF SUBJECT MATTER
 IPC 7 G01N33/543 G01N33/558

According to International Patent Classification (IPC) or to both national classification and IPC

B. FIELDS SEARCHED

Minimum documentation searched (classification system followed by classification symbols)

IPC 7 G01N

Documentation searched other than minimum documentation to the extent that such documents are included in the fields searched

Electronic data base consulted during the international search (name of data base and, where practical, search terms used)

EPO-Internal, WPI Data

C. DOCUMENTS CONSIDERED TO BE RELEVANT

Category °	Citation of document, with indication, where appropriate, of the relevant passages	Relevant to claim No.
A	GB 2 261 283 A (BUNCE ROGER A ; STARSMORE STEPHEN JOHN (GB)) 12 May 1993 (1993-05-12) the whole document ---	1-172
A	US 5 750 333 A (CLARK SCOTT M) 12 May 1998 (1998-05-12) cited in the application the whole document ---	1-172
A	US 5 185 127 A (VONK GLENN P) 9 February 1993 (1993-02-09) cited in the application the whole document ---	1-172
	-/--	

Further documents are listed in the continuation of box C.

Patent family members are listed in annex.

° Special categories of cited documents :

- *A* document defining the general state of the art which is not considered to be of particular relevance
- *E* earlier document but published on or after the international filing date
- *L* document which may throw doubts on priority claim(s) or which is cited to establish the publication date of another citation or other special reason (as specified)
- *O* document referring to an oral disclosure, use, exhibition or other means
- *P* document published prior to the international filing date but later than the priority date claimed

- *T* later document published after the international filing date or priority date and not in conflict with the application but cited to understand the principle or theory underlying the invention
- *X* document of particular relevance; the claimed invention cannot be considered novel or cannot be considered to involve an inventive step when the document is taken alone
- *Y* document of particular relevance; the claimed invention cannot be considered to involve an inventive step when the document is combined with one or more other such documents, such combination being obvious to a person skilled in the art.
- *&* document member of the same patent family

Date of the actual completion of the international search

24 April 2002

Date of mailing of the international search report

03/05/2002

Name and mailing address of the ISA

European Patent Office, P.B. 5818 Patentlaan 2
 NL - 2280 HV Rijswijk
 Tel. (+31-70) 340-2040. Tx. 31 651 epo nl,
 Fax: (+31-70) 340-3016

Authorized officer

Pellegrini, P

INTERNATIONAL SEARCH REPORT

International Application No

PCT/US 01/11773

C.(Continuation) DOCUMENTS CONSIDERED TO BE RELEVANT

Category °	Citation of document, with indication, where appropriate, of the relevant passages	Relevant to claim No.
A	WO 98 52044 A (CLINICAL DIAGNOSTIC CHEMICALS ; REES JOHN (GB)) 19 November 1998 (1998-11-19) the whole document -----	1-172

INTERNATIONAL SEARCH REPORT

Information on patent family members

International Application No

PCT/US 01/11773

Patent document cited in search report	Publication date	Patent family member(s)	Publication date			
GB 2261283	A	12-05-1993	AT 156272 T 15-08-1997			
			DE 69221320 D1 04-09-1997			
			DE 69221320 T2 20-11-1997			
			EP 0613559 A1 07-09-1994			
			WO 9310457 A1 27-05-1993			
			JP 7501148 T 02-02-1995			
			US 5540888 A 30-07-1996			
US 5750333	A	12-05-1998	US 5726010 A 10-03-1998			
			US 6007999 A 28-12-1999			
			CA 2113351 A1 18-02-1993			
			DE 69230884 D1 11-05-2000			
			DE 69230884 T2 05-10-2000			
			EP 0600929 A1 15-06-1994			
			ES 2145745 T3 16-07-2000			
			JP 6510602 T 24-11-1994			
			WO 9303176 A1 18-02-1993			
			US 5726013 A 10-03-1998			
			US 5185127	A	09-02-1993	AU 642660 B2 28-10-1993
AU 6198190 A 28-03-1991						
CA 2024458 A1 22-03-1991						
EP 0418765 A2 27-03-1991						
IE 903118 A1 27-03-1991						
JP 3118473 A 21-05-1991						
WO 9852044	A	19-11-1998	AU 7441498 A 08-12-1998			
			EP 0981751 A1 01-03-2000			
			WO 9852044 A1 19-11-1998			