



- (51) International Patent Classification:
B65D 83/76 (2006.01) *B05B 11/00* (2006.01)
- (21) International Application Number:
PCT/IB2015/053925
- (22) International Filing Date:
26 May 2015 (26.05.2015)
- (25) Filing Language: English
- (26) Publication Language: English
- (30) Priority Data:
62/002,944 26 May 2014 (26.05.2014) US
- (71) Applicant: **BEAUTY UNION GLOBAL LIMITED**
[CN/CN]; Flat B, 16 Floor, Cheung Lee Industrial Building, 9 Cheung Lee Street, Chai Wan, Hong Kong 000 (CN).
- (72) Inventors: **OKHAI, Yusuf**; Dunsinane Avenue, Dundee DD2 3QF (GB). **TORDJMAN, Carmit**; 10B Adam and Eve Mews, London W86UJ (GB).
- (81) Designated States (*unless otherwise indicated, for every kind of national protection available*): AE, AG, AL, AM, AO, AT, AU, AZ, BA, BB, BG, BH, BN, BR, BW, BY, BZ, CA, CH, CL, CN, CO, CR, CU, CZ, DE, DK, DM,

DO, DZ, EC, EE, EG, ES, FI, GB, GD, GE, GH, GM, GT, HN, HR, HU, ID, IL, IN, IR, IS, JP, KE, KG, KN, KP, KR, KZ, LA, LC, LK, LR, LS, LU, LY, MA, MD, ME, MG, MK, MN, MW, MX, MY, MZ, NA, NG, NI, NO, NZ, OM, PA, PE, PG, PH, PL, PT, QA, RO, RS, RU, RW, SA, SC, SD, SE, SG, SK, SL, SM, ST, SV, SY, TH, TJ, TM, TN, TR, TT, TZ, UA, UG, US, UZ, VC, VN, ZA, ZM, ZW.

(84) Designated States (*unless otherwise indicated, for every kind of regional protection available*): ARIPO (BW, GH, GM, KE, LR, LS, MW, MZ, NA, RW, SD, SL, ST, SZ, TZ, UG, ZM, ZW), Eurasian (AM, AZ, BY, KG, KZ, RU, TJ, TM), European (AL, AT, BE, BG, CH, CY, CZ, DE, DK, EE, ES, FI, FR, GB, GR, HR, HU, IE, IS, IT, LT, LU, LV, MC, MK, MT, NL, NO, PL, PT, RO, RS, SE, SI, SK, SM, TR), OAPI (BF, BJ, CF, CG, CI, CM, GA, GN, GQ, GW, KM, ML, MR, NE, SN, TD, TG).

Published:

- with international search report (Art. 21(3))
- before the expiration of the time limit for amending the claims and to be republished in the event of receipt of amendments (Rule 48.2(h))

[Continued on next page]

(54) Title: BOTTLE KIT

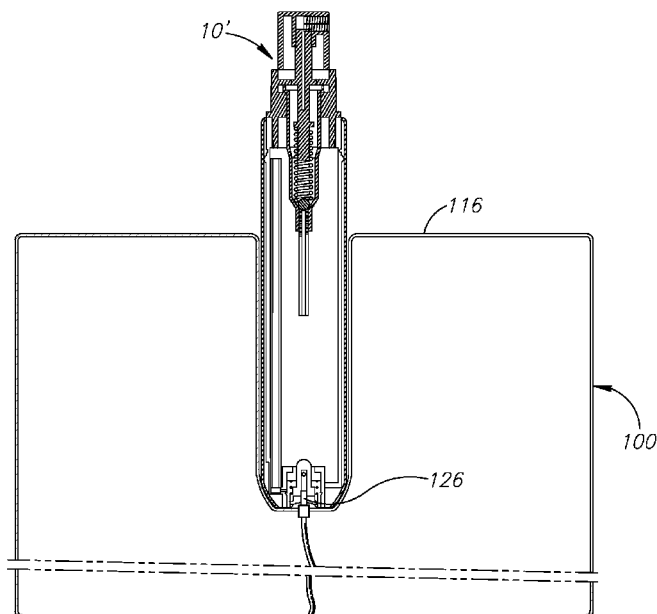


FIG.1c

(57) Abstract: A kit comprising a refill bottle comprising a refill body, a dispensing mechanism and a refill mechanism; a master bottle provided with a liquid reservoir, and comprising a master body, a pump for dispensing the liquid from the reservoir, and a stem fluidly connected to the pump and outwardly protruding from the master body; and an engaging widget configured to allow stable docking of the refill bottle with the master bottle. The stem is positioned within the engaging widget, and the kit is configured to allow a docked refill bottle to be filled with liquid from the reservoir.



(88) Date of publication of the international search report:
21 January 2016

INTERNATIONAL SEARCH REPORT

International application No.

PCT/IB2015/053925

A. CLASSIFICATION OF SUBJECT MATTER		
B65D 83/76(2006.01)i; B05B 11/00(2006.01)i		
According to International Patent Classification (IPC) or to both national classification and IPC		
B. FIELDS SEARCHED		
Minimum documentation searched (classification system followed by classification symbols) B65D; B05B		
Documentation searched other than minimum documentation to the extent that such documents are included in the fields searched		
Electronic data base consulted during the international search (name of data base and, where practicable, search terms used) CNPAT,CNKI,WPI,EPODOC 容器, 瓶, 再填充, 流体, 液体, 阀, 杆, 茎, container,bottle,refill,liquid,fluid,valve, stem		
C. DOCUMENTS CONSIDERED TO BE RELEVANT		
Category*	Citation of document, with indication, where appropriate, of the relevant passages	Relevant to claim No.
Y	WO 2013014626 A2 (DONGGUAN YIXIN MAGNETIC DISC CO LTD ET AL.) 31 January 2013 (2013-01-31) description, pages 6-10 and figures 1-8	1-16
Y	US 2012074171 A1 (QUINLAN ROBERT L ET AL.) 29 March 2012 (2012-03-29) abstrat, description, page 5 and figures 1-9	1-16
A	CN 103347618 A (PROCTER & GAMBLE) 09 October 2013 (2013-10-09) the whole document	1-16
<input type="checkbox"/> Further documents are listed in the continuation of Box C. <input checked="" type="checkbox"/> See patent family annex.		
* Special categories of cited documents:		
“A”	document defining the general state of the art which is not considered to be of particular relevance	“T” later document published after the international filing date or priority date and not in conflict with the application but cited to understand the principle or theory underlying the invention
“E”	earlier application or patent but published on or after the international filing date	“X” document of particular relevance; the claimed invention cannot be considered novel or cannot be considered to involve an inventive step when the document is taken alone
“L”	document which may throw doubts on priority claim(s) or which is cited to establish the publication date of another citation or other special reason (as specified)	“Y” document of particular relevance; the claimed invention cannot be considered to involve an inventive step when the document is combined with one or more other such documents, such combination being obvious to a person skilled in the art
“O”	document referring to an oral disclosure, use, exhibition or other means	“&” document member of the same patent family
“P”	document published prior to the international filing date but later than the priority date claimed	
Date of the actual completion of the international search	Date of mailing of the international search report	
26 October 2015	10 November 2015	
Name and mailing address of the ISA/CN	Authorized officer	
STATE INTELLECTUAL PROPERTY OFFICE OF THE P.R.CHINA 6, Xitucheng Rd., Jimen Bridge, Haidian District, Beijing 100088, China	HU, Chunyan	
Facsimile No. (86-10)62019451	Telephone No. (86-10)62084318	

INTERNATIONAL SEARCH REPORT
Information on patent family members

International application No.

PCT/IB2015/053925

Patent document cited in search report			Publication date (day/month/year)	Patent family member(s)			Publication date (day/month/year)
WO	2013014626	A2	31 January 2013	WO	2013014626	A3	21 March 2013
				IL	230605	D0	31 March 2014
				AU	2012288456	A1	20 February 2014
				HK	1200417	A1	07 August 2015
				EP	2741972	A2	18 June 2014
				MX	2014000905	A	26 November 2014
				RU	2014106984	A	10 September 2015
				CA	2842903	A1	31 January 2013
				AU	2012288456	A8	27 March 2014
				JP	2015504821	A	16 February 2015
				NZ	620288	A	28 August 2015
				KR	20140050074	A	28 April 2014
US	2012074171	A1	29 March 2012	US	9089860	B2	28 July 2015
				US	8763863	B2	01 July 2014
				US	8499981	B2	06 August 2013
				US	2014332563	A1	13 November 2014
				US	2013292419	A1	07 November 2013
CN	103347618	A	09 October 2013	EP	2673095	A1	18 December 2013
				US	2012205401	A1	16 August 2012
				US	8636039	B2	28 January 2014
				WO	2012109411	A1	16 August 2012