



US00D796898S

(12) **United States Design Patent**
Robotti

(10) **Patent No.:** **US D796,898 S**

(45) **Date of Patent:** **** Sep. 12, 2017**

(54) **BEVERAGE CAPSULE**
(71) Applicant: **BISIO PROGETTI S.P.A.**, Alessandria (IT)
(72) Inventor: **Paolo Robotti**, Alessandria (IT)

D306,974 S * 4/1990 Tholstrup D9/424
D541,147 S * 4/2007 LaMasney D9/428
D567,021 S * 4/2008 Bach D7/387
D605,894 S * 12/2009 Drennow D7/387
D637,481 S * 5/2011 Sellari D9/424
D695,111 S * 12/2013 Hansen B65D 85/8043
D9/429

(73) Assignee: **Bisio Progetti S.p.A.**, Alessandria (IT)

D700,475 S 3/2014 Avigdor
D727,141 S 4/2015 Mastropasqua
D747,139 S 1/2016 Rondelli
D747,187 S * 1/2016 Cochran D9/416
D753,483 S * 4/2016 Accursi D9/429
D766,078 S * 9/2016 Hansen D9/416
2012/0241352 A1 * 9/2012 Pramanik B65D 1/265
206/524.1

(**) Term: **15 Years**

(21) Appl. No.: **35/500,620**

(22) Filed: **Nov. 20, 2015**

2014/0186498 A1 7/2014 Dogan
2015/0183575 A1 * 7/2015 Doglioni Majer . B65D 85/8043
99/295

(80) **Hague Agreement Data**

Int. Filing Date: **Nov. 20, 2015**
Int. Reg. No.: **DM/089312**
Int. Reg. Date: **Nov. 20, 2015**
Int. Reg. Pub. Date: **Feb. 19, 2016**

2015/0183577 A1 7/2015 Talon
2015/0274412 A1 * 10/2015 Bisio B65D 85/8046
426/115
2015/0344285 A1 12/2015 Joseph
2016/0311608 A1 * 10/2016 Accursi A47J 31/0668
2016/0355327 A1 * 12/2016 Minganti B65D 85/8043
2016/0362246 A1 12/2016 Garcin

(30) **Foreign Application Priority Data**

Jul. 13, 2015 (IT) 402015000033225

(51) **LOC (10) Cl.** **07-99**

(52) **U.S. Cl.**
USPC **D7/400**

(58) **Field of Classification Search**
USPC D7/397-400; D9/428, 429, 416; D23/209
CPC B65D 85/8046; B65D 85/8043; B65D 85/804; A47J 31/06; A47J 31/0668
See application file for complete search history.

* cited by examiner

Primary Examiner — Sheryl Lane

Assistant Examiner — Nicole Shiftlet

(74) *Attorney, Agent, or Firm* — Thomas | Horstmeyer, LLP

(57) **CLAIM**

The ornamental design for a beverage capsule, as shown and described.

DESCRIPTION

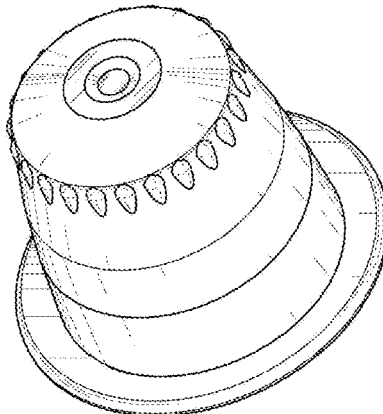
- 1.1 is a perspective view;
- 1.2 is a side view thereof;
- 1.3 is a top view thereof;
- 1.4 is a bottom view thereof.

(56) **References Cited**

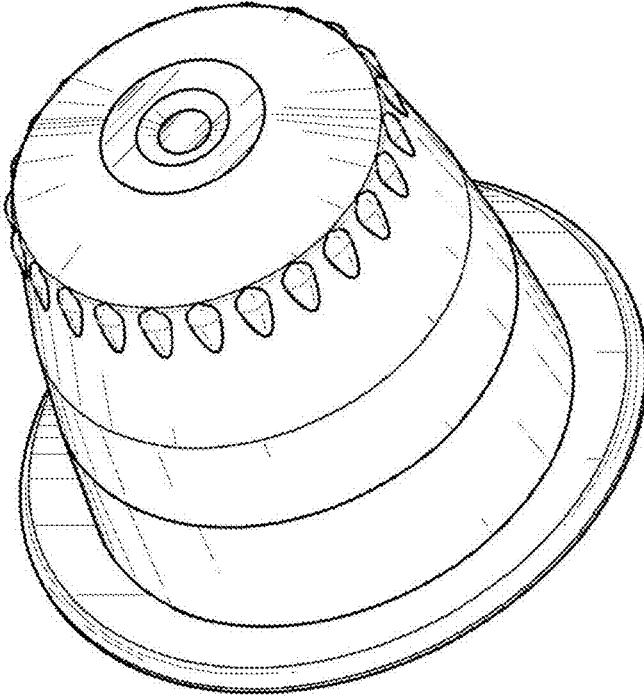
U.S. PATENT DOCUMENTS

D195,905 S * 8/1963 Wanderer D9/429
D206,358 S * 11/1966 Griese D9/428
D288,065 S * 2/1987 Tyler D9/429

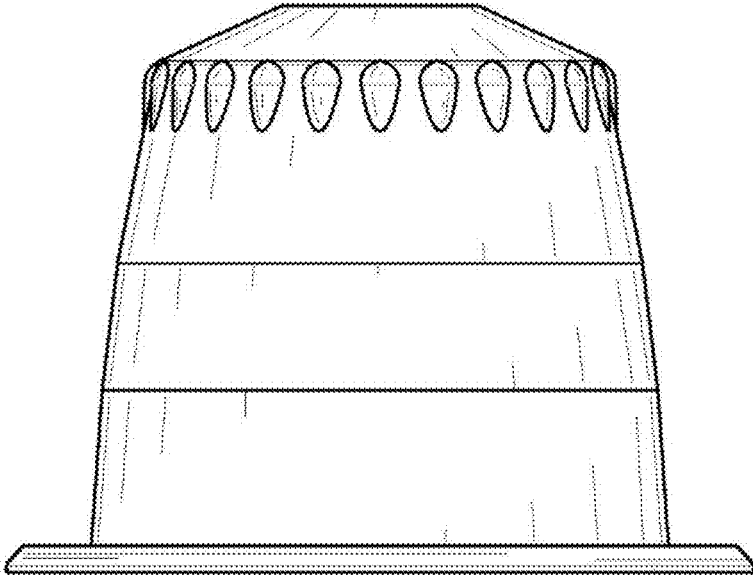
1 Claim, 4 Drawing Sheets



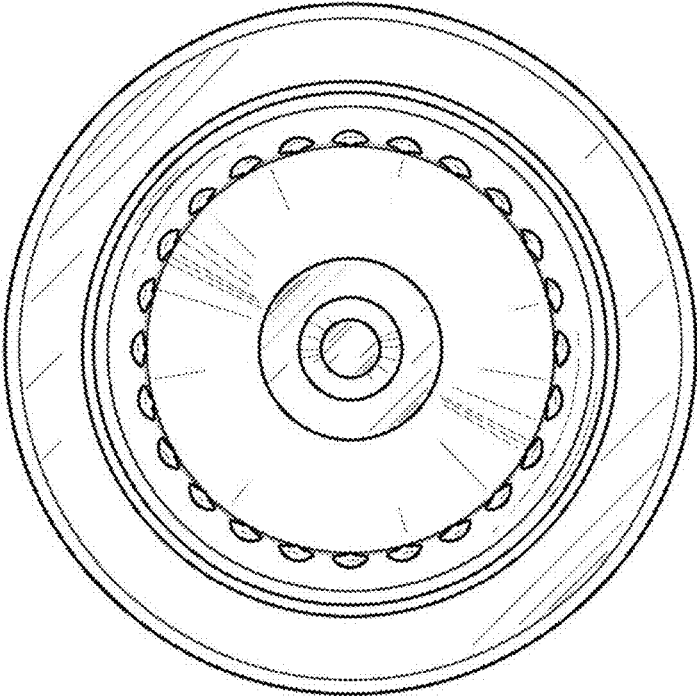
1.1



1.2



1.3



1.4

