



US00D396759S

United States Patent [19]

[11] Patent Number: **Des. 396,759**

Duenkelsbuehler

[45] Date of Patent: ****Aug. 11, 1998**

[54] **CHAIR**

[75] Inventor: **Benno L. Duenkelsbuehler**, San Francisco, Calif.

[73] Assignee: **Williams-Sonoma Corp.**, San Francisco, Calif.

[**] Term: **14 Years**

[21] Appl. No.: **72,684**

[22] Filed: **Jun. 19, 1997**

[51] LOC (6) Cl. **06-01**

[52] U.S. Cl. **D6/370; D6/380**

[58] Field of Search **D6/334, 370, 374, D6/376, 379, 380, 500, 501, 502; 297/446.1**

[56] **References Cited**

U.S. PATENT DOCUMENTS

- D. 102,978 2/1937 Baum D6/370
- D. 292,656 11/1987 Masterton D6/370
- D. 292,951 12/1987 Lamb D6/370

OTHER PUBLICATIONS

Woodward & Lothrop, p. 14. Chair "14C" at Top Center, Oct. 1977.

Chairs & Couches by Curtis, p. 46. Sheraton Sabre Leg Chair at Top Center. ©1977.

Niedermaier, Cristiano Chair, Center.

Primary Examiner—Gary D. Watson

Attorney, Agent, or Firm—Janis Biksa; Owen, Wickersham & Erickson, PC

[57] **CLAIM**

The ornamental design for a chair, as shown and described.

DESCRIPTION

FIG. 1 is a perspective view of a design according to the invention;

FIG. 2 is a front view of the design of FIG. 1;

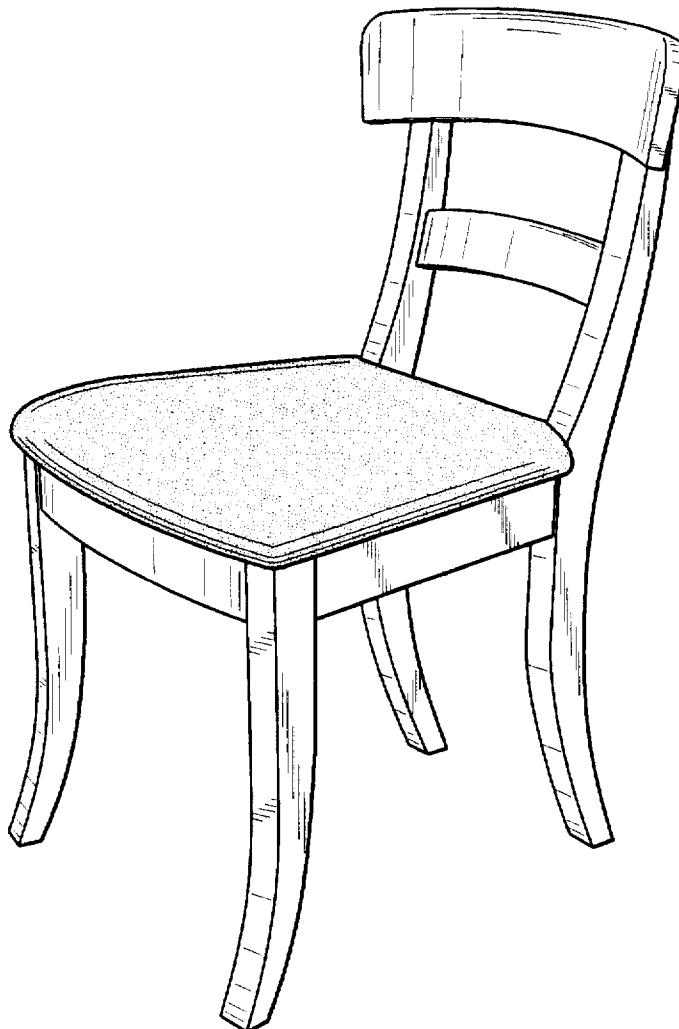
FIG. 3 is a left side view of the design of FIG. 1, the right side view being a mirror image thereof;

FIG. 4 is a back view of the design of FIG. 1;

FIG. 5 is a top view of the design of FIG. 1; and,

FIG. 6 is a bottom view of the design of FIG. 1.

1 Claim, 5 Drawing Sheets



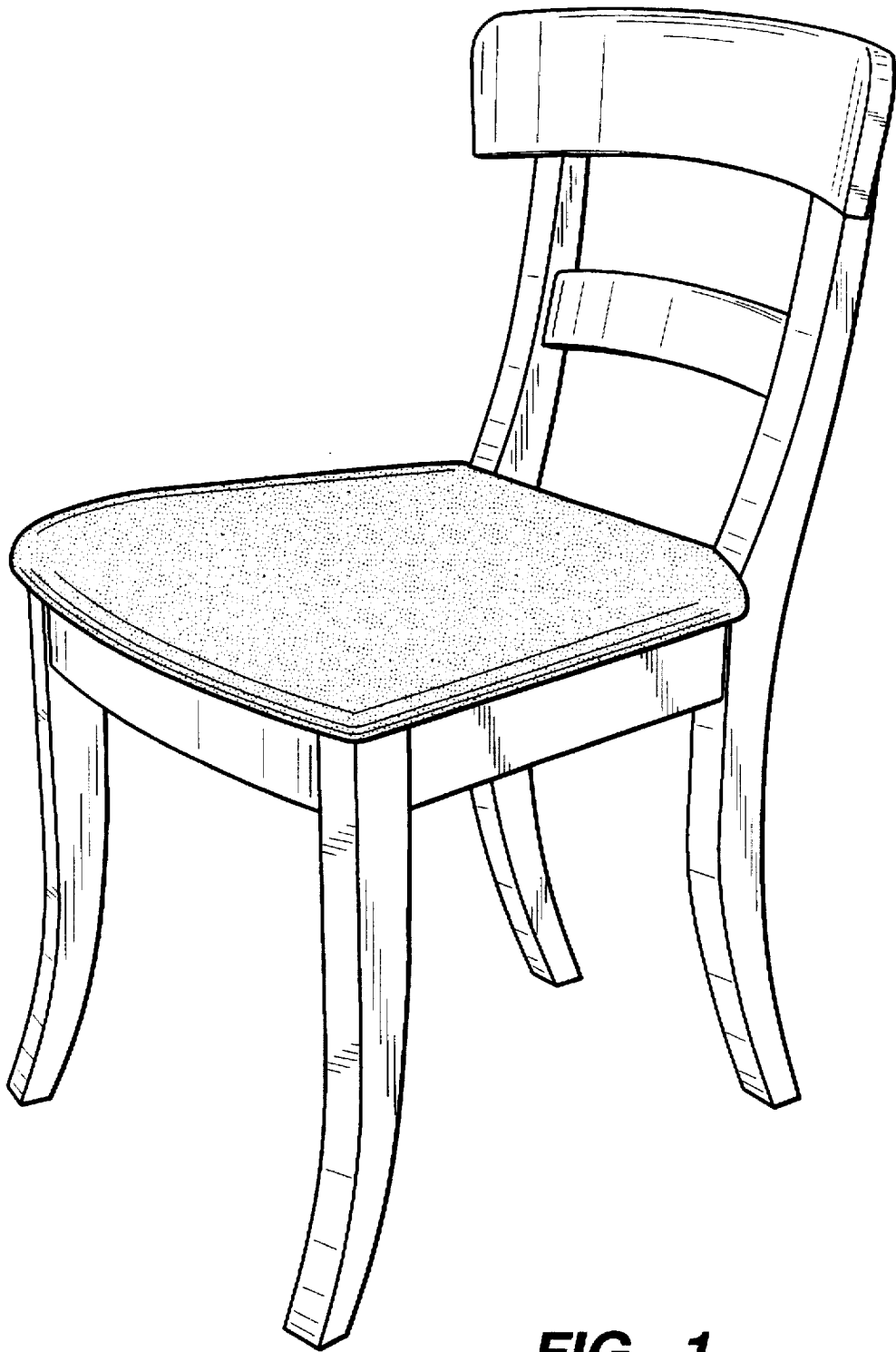


FIG. 1

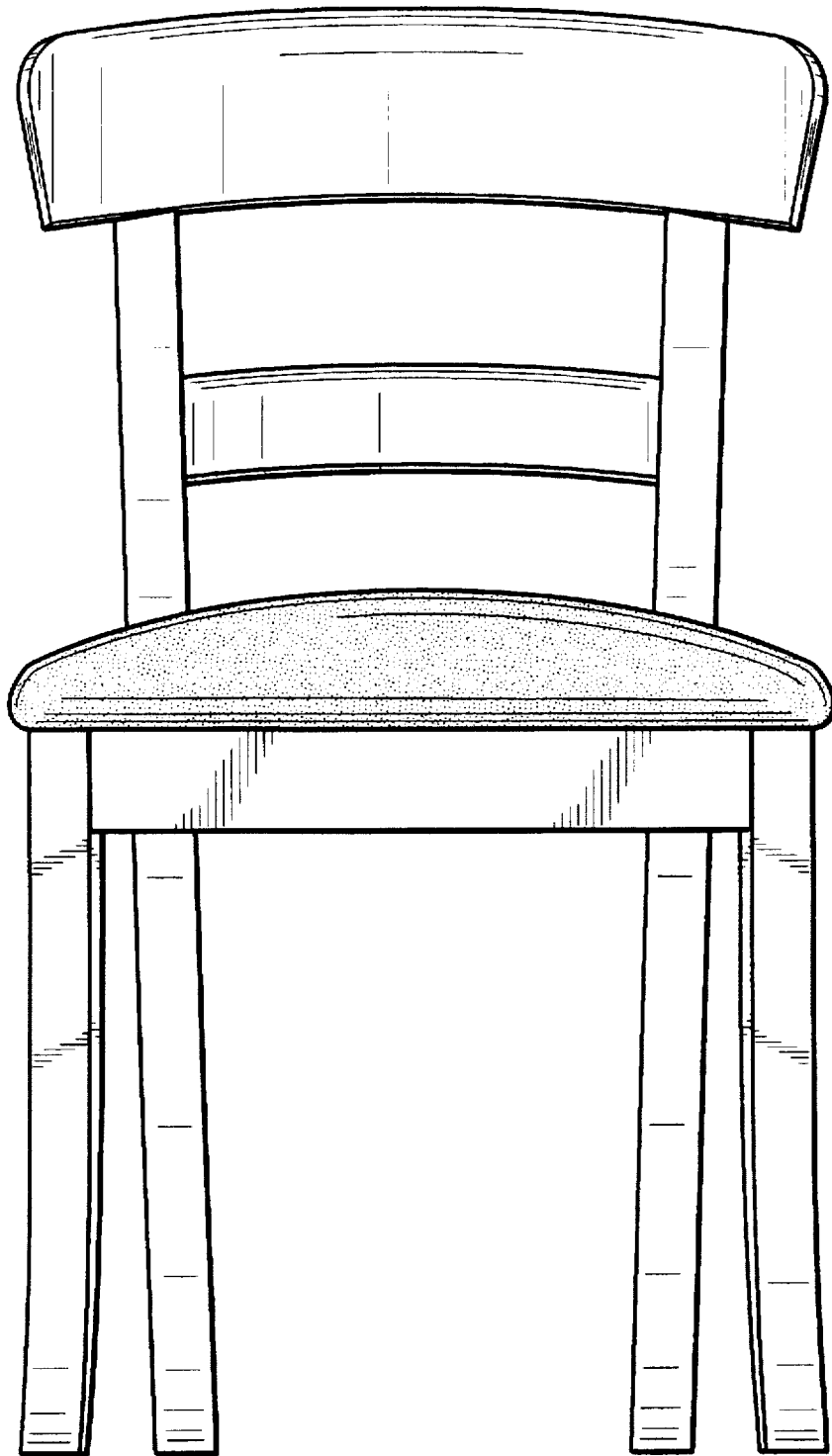


FIG. 2

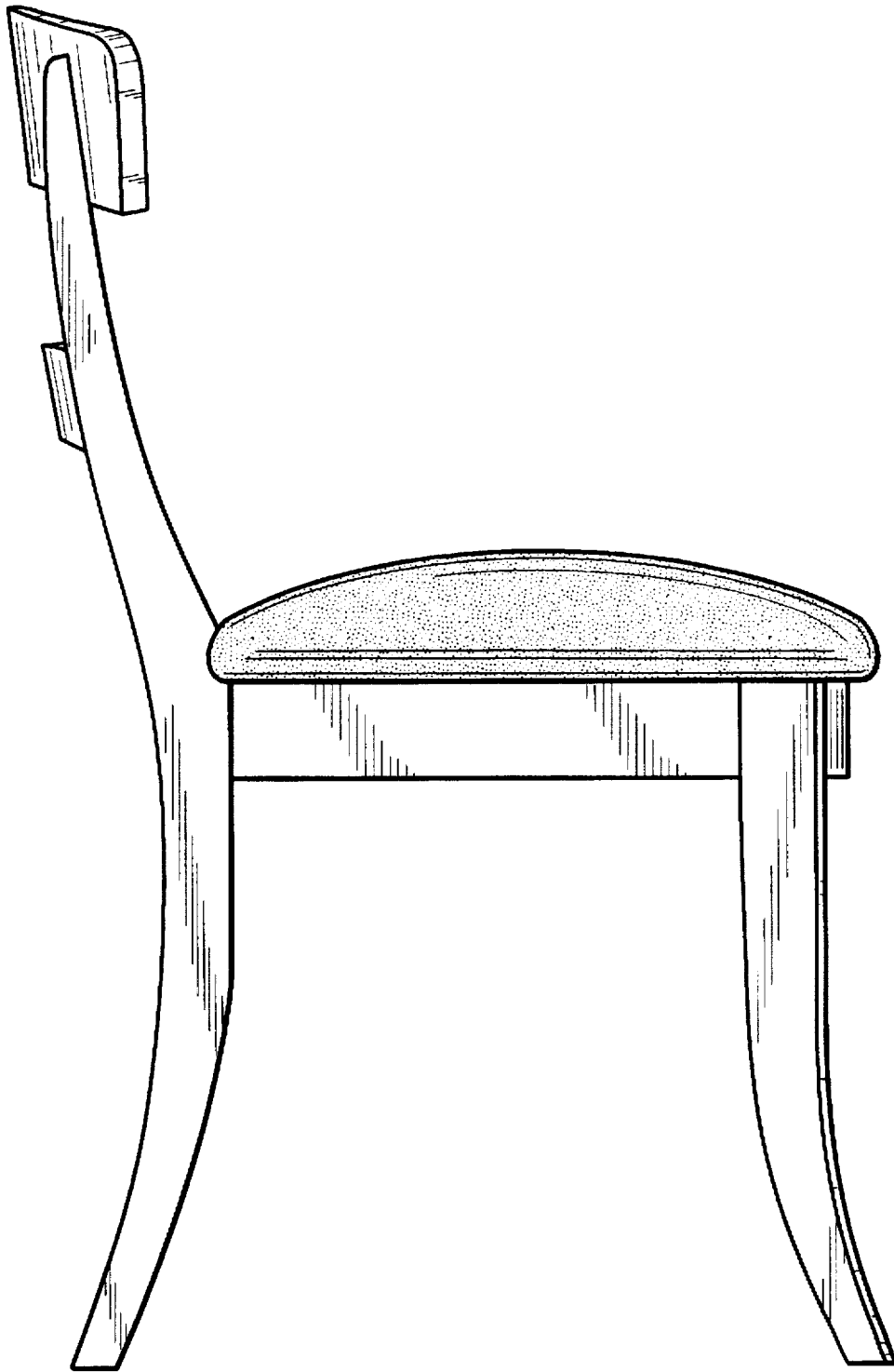


FIG._3

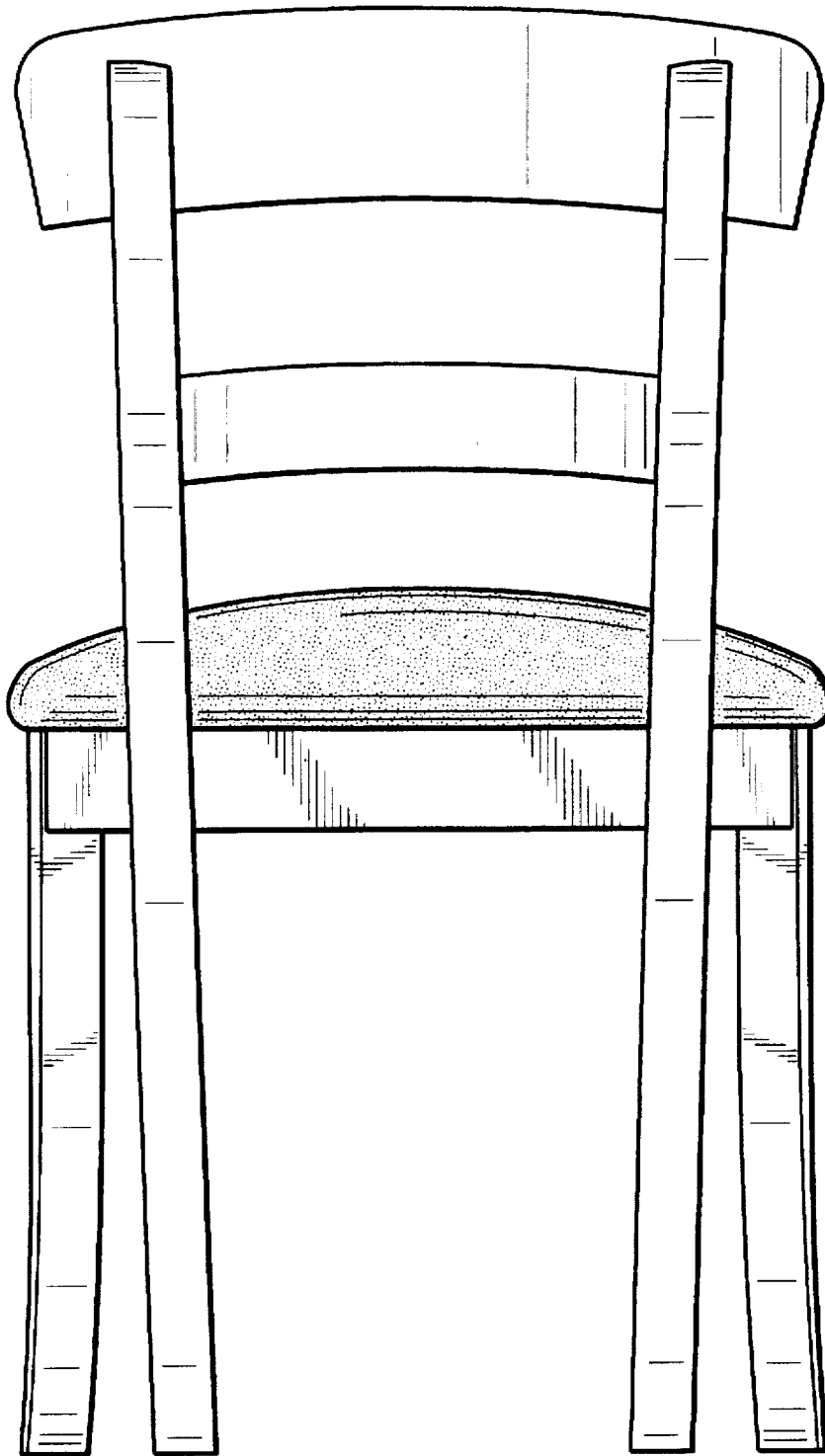


FIG. 4

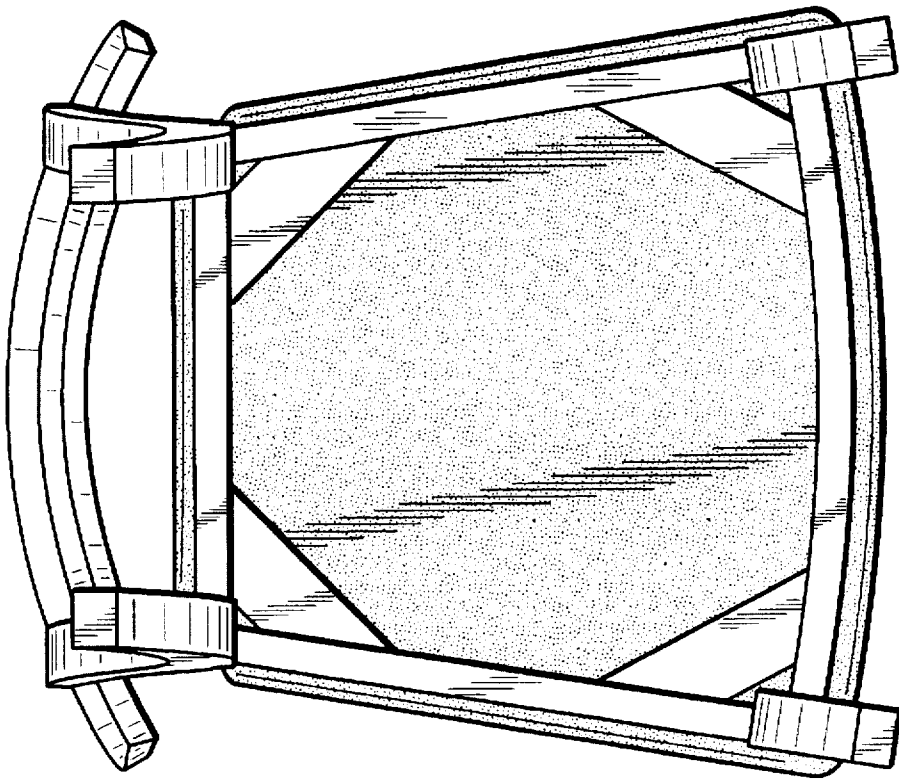


FIG. 6

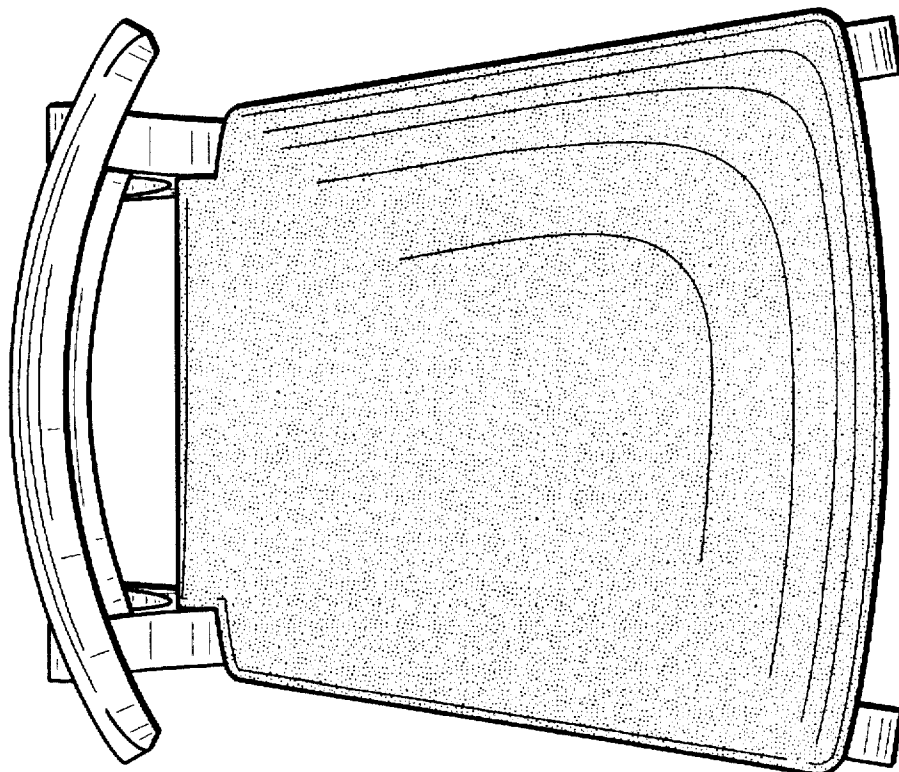


FIG. 5