



US00D797454S

(12) **United States Design Patent**  
**Seiders et al.**

(10) **Patent No.:** **US D797,454 S**

(45) **Date of Patent:** **\*\* \*Sep. 19, 2017**

(54) **INSULATING DEVICE**

(71) Applicant: **YETI Coolers, LLC**, Austin, TX (US)

(72) Inventors: **Roy Joseph Seiders**, Austin, TX (US);  
**Christopher M. Keller**, Austin, TX (US)

(73) Assignee: **YETI Coolers, LLC**, Austin, TX (US)

(\* ) Notice: This patent is subject to a terminal disclaimer.

(\*\*) Term: **15 Years**

(21) Appl. No.: **29/544,617**

(22) Filed: **Nov. 4, 2015**

**Related U.S. Application Data**

(63) Continuation of application No. 29/503,060, filed on Sep. 23, 2014.

(51) **LOC (10) Cl.** ..... **03-01**

(52) **U.S. Cl.**  
USPC ..... **D3/318**

(58) **Field of Classification Search**

USPC ..... D7/601-607, 393; D3/217, 221, 226, D3/232, 233, 245, 246, 267, 268, 273, D3/276, 283, 289, 315, 318, 327, D3/213-216, 225, 231, 254, 287, 303, D3/307, 320, 322, 324; 220/592.01, 220/592.09, 592.1, 592.2, 592.25, 694, 220/752, 760; D8/367, 373, 382, 383, D8/499; D30/139  
CPC ..... A45C 3/10; A45C 11/00; A45C 11/20; A45C 11/22; A45C 13/008; A45C 13/10; A45C 13/30; A45C 2013/1007; A45C 2013/1015; A45C 5/08; A45C 2200/00; A45C 2200/20; A45C 2003/007; A45C 2003/008; A45C 3/00; A45C 13/22; A63B

(Continued)

(56) **References Cited**

**U.S. PATENT DOCUMENTS**

2,119,621 A 6/1938 Ferrone  
2,289,254 A 7/1942 Eagles  
(Continued)

**FOREIGN PATENT DOCUMENTS**

BE 1015808 A6 9/2005  
CA 2300014 A1 8/2001  
(Continued)

**OTHER PUBLICATIONS**

The-gadgeteer.com: Tom Bihn Camera I-O Bag Review. Published by Janet Cloninger on Jul. 9, 2012. Retrieved from the Internet at <<http://the-gadgeteer.com/2012/07/09/tom-bihn-camera-i-o-bag-review/>>, Jan. 8, 2016. 7 pages.\*

(Continued)

*Primary Examiner* — Rosemary K Tarcza

*Assistant Examiner* — Christy Nemeth

(74) *Attorney, Agent, or Firm* — Banner & Witcoff, Ltd.

(57) **CLAIM**

The ornamental design for an insulating device, as shown and described.

**DESCRIPTION**

FIG. 1 is a top, front, left perspective view of an insulating device showing our new design;

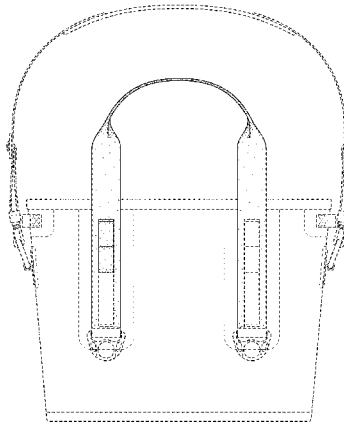
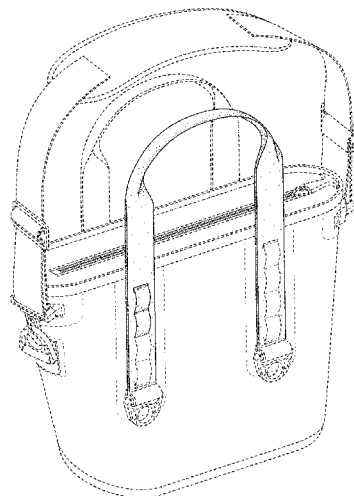
FIG. 2 is a front view thereof;

FIG. 3 is a left side view thereof; and,

FIG. 4 is a right side view thereof.

The broken lines showing the remainder of the insulating device are for the purpose of depicting environmental subject matter which forms no part of the claimed design. The stipple shading in the drawings is a drawing convention to represent curvature; it does not illustrate material, surface ornamentation, or surface decoration.

**1 Claim, 4 Drawing Sheets**





(56)

## References Cited

## U.S. PATENT DOCUMENTS

D474,649	S	5/2003	Spence, Jr.		7,900,816	B2	3/2011	Kastanek et al.	
6,582,124	B2	6/2003	Mogil		D638,220	S	5/2011	Chu et al.	
D476,481	S	7/2003	Gilbert		D642,870	S	8/2011	Whitlock et al.	
6,595,687	B2	7/2003	Godshaw et al.		D645,662	S *	9/2011	Perez	D3/216
D478,782	S	8/2003	Li		8,016,090	B2	9/2011	McCoy et al.	
6,604,649	B1	8/2003	Campi		8,043,004	B2	10/2011	Mogil	
6,605,311	B2	8/2003	Villagran et al.		D648,532	S	11/2011	Sosnovsky	
6,619,447	B1	9/2003	Garcia, III et al.		D650,169	S *	12/2011	Klifa	D3/245
6,629,430	B2	10/2003	Mills et al.		8,096,442	B2	1/2012	Ramundi	
D482,241	S	11/2003	Tyler		8,191,747	B2	6/2012	Pruchnicki	
6,652,933	B2	11/2003	Hall		D664,261	S	7/2012	Kravitz et al.	
6,655,543	B2	12/2003	Beuke		8,209,995	B2	7/2012	Kieling et al.	
D485,131	S	1/2004	Lanman et al.		D666,896	S *	9/2012	Pinholster, Jr.	D8/356
D485,732	S	1/2004	Lanman et al.		D667,043	S *	9/2012	Couch, III	D16/237
D486,038	S	2/2004	Lanman et al.		8,281,950	B2	10/2012	Potts et al.	
6,729,758	B1	5/2004	Carter		D673,363	S *	1/2013	Crandall	D3/217
D492,160	S	6/2004	Lanman et al.		D674,664	S	1/2013	Collie	
D497,518	S	10/2004	Bellofatto, Jr. et al.		8,424,713	B2	4/2013	Bolland	
6,799,693	B2	10/2004	Meza		D682,635	S	5/2013	Boroski	
D498,924	S	11/2004	Karl		8,453,899	B1 *	6/2013	Calkin	A45F 5/02 224/675
D502,599	S	3/2005	Cabana et al.		8,474,640	B2	7/2013	Armstrong	
D503,279	S *	3/2005	Smith	D3/283	8,516,848	B2	8/2013	White et al.	
6,874,356	B2	4/2005	Kornfeldt et al.		8,544,678	B1	10/2013	Hughes	
D506,645	S	6/2005	Bellofatto, Jr. et al.		8,573,002	B2	11/2013	Ledoux et al.	
D512,274	S	12/2005	Cabey		D695,568	S *	12/2013	Hayes	D3/233
D515,362	S	2/2006	Chan		8,622,235	B2	1/2014	Suchecki	
D517,801	S *	3/2006	Woo	D3/217	D699,940	S *	2/2014	Robert	D3/216
D520,306	S	5/2006	Peterson		D699,941	S *	2/2014	Robert	D3/216
D523,243	S	6/2006	Nashmy		D703,946	S *	5/2014	Tweedie	D3/216
D527,226	S	8/2006	Maldonado		8,720,739	B2	5/2014	Bollis	
D530,089	S	10/2006	Silverman		D711,096	S *	8/2014	Hanna	D3/232
7,153,025	B1	12/2006	Jackson et al.		D712,555	S *	9/2014	Berg	D24/190
D534,771	S	1/2007	Zorn		8,827,109	B1	9/2014	Sheehan	
7,162,890	B2	1/2007	Mogil et al.		8,844,756	B2	9/2014	Beyburg	
D539,033	S *	3/2007	Cassegrain	D3/246	D715,544	S *	10/2014	Levine	D3/246
7,201,285	B2	4/2007	Beggins		D718,931	S *	12/2014	Brundl	D3/232
7,207,716	B2	4/2007	Buchanan et al.		D719,303	S *	12/2014	Anderson	D29/124
7,219,814	B2	5/2007	Lown et al.		8,899,071	B2	12/2014	Mogil et al.	
7,240,513	B1	7/2007	Conforti		D725,908	S	4/2015	Zwetzig	
7,264,134	B2	9/2007	Tulp		D728,942	S	5/2015	Byham	
D557,667	S	12/2007	Kawamura et al.		D732,348	S *	6/2015	Seiders	D3/246
7,302,810	B2	12/2007	McCrorry		D732,349	S *	6/2015	Seiders	D3/246
D560,102	S	1/2008	Sumter		D732,350	S *	6/2015	Seiders	D3/246
7,313,927	B2	1/2008	Barker		D732,899	S *	6/2015	Seiders	D3/246
7,344,028	B2	3/2008	Hanson		D734,643	S	7/2015	Boroski	
D570,603	S	6/2008	Wu et al.		D734,992	S	7/2015	Boroski	
D573,422	S	7/2008	Tagliati et al.		9,084,463	B2	7/2015	Merrill	
D574,667	S	8/2008	Grabijas, III et al.		D738,108	S	9/2015	Adler et al.	
D578,401	S	10/2008	Perry et al.		D739,654	S *	9/2015	Brouard	D3/276
7,481,065	B2	1/2009	Krieger		9,139,352	B2 *	9/2015	Seiders	B65D 81/3858
D598,194	S	8/2009	Turvey et al.		9,146,051	B2	9/2015	Kamin et al.	
7,597,478	B2	10/2009	Pruchnicki et al.		D747,104	S *	1/2016	Ford	D3/216
7,634,919	B2	12/2009	Bernhard, Jr. et al.		9,226,558	B2	1/2016	Armstrong	
D607,697	S	1/2010	Whitlock et al.		9,254,022	B2	2/2016	Meldeau et al.	
D608,096	S *	1/2010	Noble	D3/318	9,254,023	B2	2/2016	Su et al.	
D608,159	S	1/2010	Whitlock et al.		9,265,318	B1	2/2016	Williams et al.	
D610,795	S	3/2010	Dejadon		D752,347	S *	3/2016	Seiders	D3/318
D611,706	S *	3/2010	Angles	D3/243	9,271,553	B2	3/2016	Ponx	
7,682,080	B2 *	3/2010	Mogil	A45C 7/0077 383/110	9,290,313	B2	3/2016	De Lesseux et al.	
D617,560	S *	6/2010	Wu	D3/318	D756,109	S *	5/2016	Hayashi	D3/232
7,730,739	B2	6/2010	Fuchs		9,366,467	B2	6/2016	Kiedaisch et al.	
D618,966	S *	7/2010	Koehler	D7/607	D760,494	S *	7/2016	Harvey-Pankey	D3/232
D619,423	S *	7/2010	Koehler	D7/607	D761,561	S *	7/2016	Cheng	D3/246
D619,854	S	7/2010	Koehler et al.		D763,570	S *	8/2016	Potts	D3/232
D619,855	S *	7/2010	Koehler	D7/607	D764,791	S *	8/2016	Patel	D3/232
D620,707	S *	8/2010	Mogil	D3/246	D770,763	S *	11/2016	Joo	D3/232
D620,708	S *	8/2010	Sanz	D3/276	D772,562	S *	11/2016	Petre	D3/216
7,775,388	B2	8/2010	Murrer, III		2002/0197369	A1	12/2002	Modler	
7,784,759	B2	8/2010	Farrell		2003/0070447	A1	4/2003	Tanaka	
7,791,003	B2	9/2010	Lockhart et al.		2003/0080133	A1	5/2003	Butler	
7,811,620	B2	10/2010	Merrill et al.		2003/0106895	A1	6/2003	Kalal	
7,815,069	B1	10/2010	Bellofatto et al.		2003/0136702	A1	7/2003	Redzisz et al.	
D629,612	S *	12/2010	Weldon	D3/318	2003/0175394	A1	9/2003	Modler	
7,874,177	B2	1/2011	Azamy		2004/0004111	A1	1/2004	Cardinale	
					2004/0028296	A1	2/2004	Meli	
					2004/0074936	A1	4/2004	McDonald	
					2004/0094589	A1	5/2004	Fricano	
					2004/0144783	A1	7/2004	Anderson et al.	



(56)

**References Cited**

## FOREIGN PATENT DOCUMENTS

WO	2007016092	A2	2/2007
WO	2010106296	A2	9/2010
WO	2010120199	A1	10/2010
WO	2012003543	A1	1/2012
WO	2014033450	A1	3/2014
WO	2016066817	A1	5/2016

## OTHER PUBLICATIONS

Stopper Dry Bag, <http://www.seatosummit.com/products/display/181>, published date unknown, but prior to the filing late of the present application, Sea to Summit, United States.

Icemule Classic Cooler—Large (20L), <http://www.icemulecooler.com/icemule-classic-cooler-large-20l/>, published date unknown, but prior to the filing date of the present application, Icemule, United States.

Devonbuy.com: Thule Gauntlet 13" MacBook Pro Attaché. Published on Jul. 28, 2014. Retrieved from the Internet at (<http://www.devonbuy.com/thule-gauntlet-13-macbook-pro-attache/>), Feb. 24, 2016. 9 pages.

Devonbuy.com: Thule Gauntlet 13" MacBook Pro Attaché. Published on Jul. 28, 2014. Retrieved from the internet at <http://www.devonbuy.com/thule-gauntlet-13-macbook-pro-attache/>, Feb. 24, 2016. 9 pages.

United States District Court for the Western District of Texas, Austin Division, "Defendants' Answer and Counterclaims to YETI's Complaint," *YETI Coolers, LLC, vs. RTIC Soft Sided Coolers, LLC, RTIC Coolers, LLC, RTIC Web Services, LLC, and Corporate Support and Fulfillment, LLC*, Case 1:16-cv-00909-RP, Document 11, Filed Aug. 18, 2016, 44 pages.

United States District Court Western District of Texas, Austin Division, "Complaint," *YETI Coolers, LLC, v. RTIC Soft Side Coolers, RTIC Coolers, LLC, RTIC Web Services, LLC, and Corporate Support and Fulfillment, LLC*, Case 1:16-cv-00909, Document 1, Filed Jul. 27, 2016, 66 pages.

United States District Court Western District of Texas, Austin Division, "Complaint for Damages and Injunctive Relief," *YETI Coolers, LLC v. Jennifer Laverne Bootz d/b/a Billing and Burlap Buy In's and Blanks*, Case 1:15-cv-00995, Document 1, Filed Nov. 2, 2015, 128 pages.

United States District Court Western District of Texas, Austin Division, "Order," *YETI Coolers, LLC v. Jennifer Laverne Bootz Evans d/b/a Bling and Burlap Buy In's and Blanks*, Case 1:15-cv-00995-RP, Document 18, Filed Apr. 18, 2016, 1 page.

United States District Court Western District of Texas, Austin Division, "Defendant's Reply in Support of Their Rule 12 (B)(6) Motion to Dismiss for Failure to State a Claim" *YETI Coolers, LLC v. RTIC Soft Sided Coolers, LLC, RTIC Coolers, LLC, RTIC Web*

*Services, LLC, and Corporate Support and Fulfillment, LLC*, Case 1:16-cv-00909-RP, Document 15, Filed Sep. 8, 2016, 13 pages.

United States District Court Western District of Texas, Austin Division, "YETI's Answer to RTIC's Counterclaims," *YETI Coolers, LLC v. RTIC Soft Sided Coolers, LLC, RTIC Coolers, LLC, RTIC Web Services, LLC, and Corporate Support and Fulfillment, LLC*, Case 1:16-cv-00909-RP, Document 14, Filed Sep. 2, 2016, 16 pages.

United States District Court Western District of Texas, Austin Division, "YETI's Opposition to RTIC's Motion to Dismiss," *YETI Coolers, LLC v. RTIC Soft Sided Coolers, LLC, RTIC Coolers, LLC, RTIC Web Services, LLC, and Corporate Support and Fulfillment, LLC*, Case 1:16-cv-00909-RP, Document 13, Filed Sep. 1, 2016, 17 pages.

United States District Court for the Western District of Texas, Austin Division, "Defendants' Rule 12(B)(6) Motion to Dismiss for Failure to State a Claim," *YETI Coolers, LLC, vs. RTIC Soft Sided Coolers, LLC, RTIC Coolers, LLC, RTIC Web Services, LLC, and Corporate Support and Fulfillment, LLC*, Case 1:16-cv-00909-RP, Document 10, Filed Aug. 18, 2016, 12 pages.

United States District Court for the Western District of Texas, Austin Division, "Joint Rule 26(f) Report and Discovery Plan," *YETI Coolers, LLC, vs. RTIC Soft Sided Coolers, LLC, RTIC Coolers, LLC, RTIC Web Services, LLC, and Corporate Support and Fulfillment, LLC*, Case 1:16-cv-00909-RP, Document 19, Filed Oct. 11, 2016, 9 pages.

Petition for Inter Partes Review of U.S. Pat. No. 9139352, filed on Dec. 13, 2016, 1616 pages.

YouTube.com: Patagonia Black Hole Duffel 60L. Published Aug. 26, 2013. Retrieved from the internet at <https://www.youtube.com/watch?v=W-PWEmZmVv8>, Dec. 19, 2016. 1 page.

TheGadgeteer.com: Tom Bihn Camera I-O Bag Review. Published Jul. 9, 2012. Retrieved from the internet at <http://the-gadgeteer.com/2012/07/09/tom-bihn-camera-i-o-bag-review/>, Jan. 11, 2016. 7 pages.

YouTube, "YETI Hopper Cooler at ICAST 2014", Uploaded by user "TackleDirect" on Jul. 17, 2014, Accessed Jan. 31, 2017. (<https://www.youtube.com/watch?v=A2rKRdyZcZ4>).

Ebags, Picnic Pack Picnic Pack Large Insulated Cooler Tote, First reviewed on Jul. 20, 2016. Accessed Feb. 7, 2017. (<http://www.ebags.com/product/picnic-pack/picnic-pack-large-insulated-cooler-tote/313704?productid=10428840>).

Ebags, "Picnic Pack Picnic Pack Large Insulated Cooler Tote", First reviewed Jul. 20, 2016. Accessed Jan. 31, 2017. (<http://www.ebags.com/product/picnic-pack/picnic-pack-large-insulated-cooler-tote/313704?productid=10428840>).

United States District Court Western District of Texas Austin Division, "Complaint," *YETI Coolers, LLC v. Glacier Coolers, LLC, and Tecomate Holdings, LLC*, Case 1:17-cv-00586, Document 1, filed Jun. 15, 2017, 161 pages.

\* cited by examiner

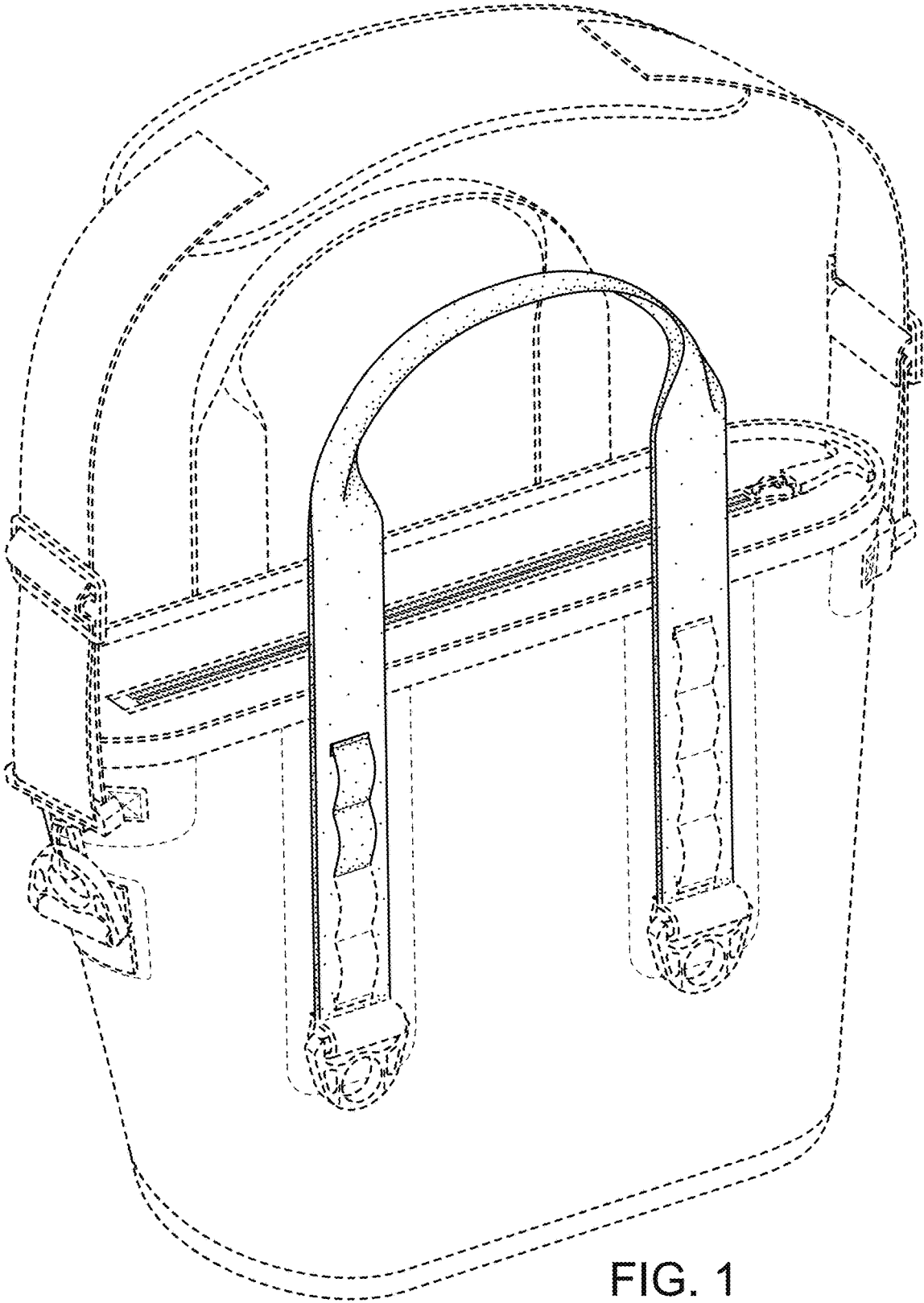


FIG. 1

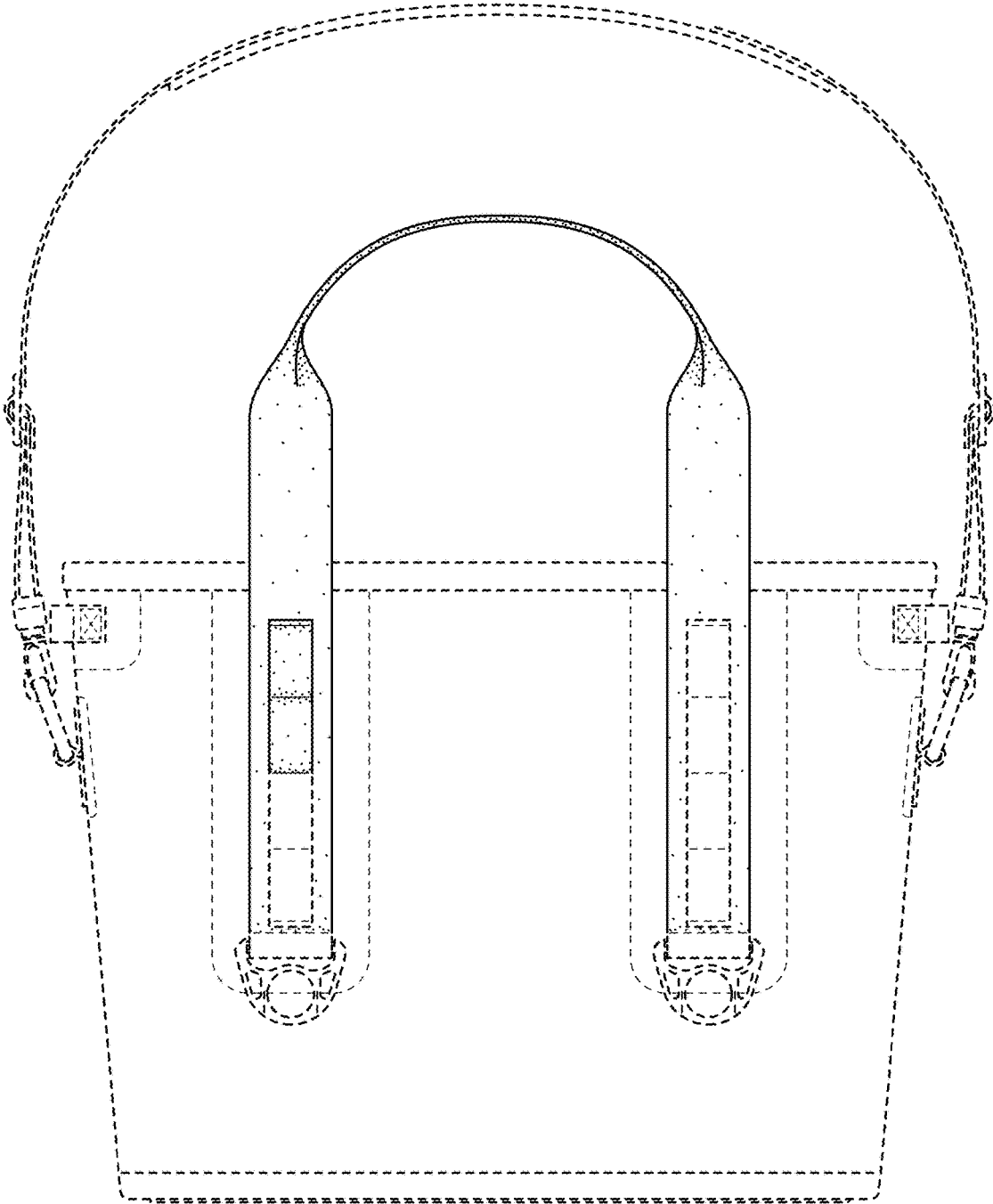


FIG. 2

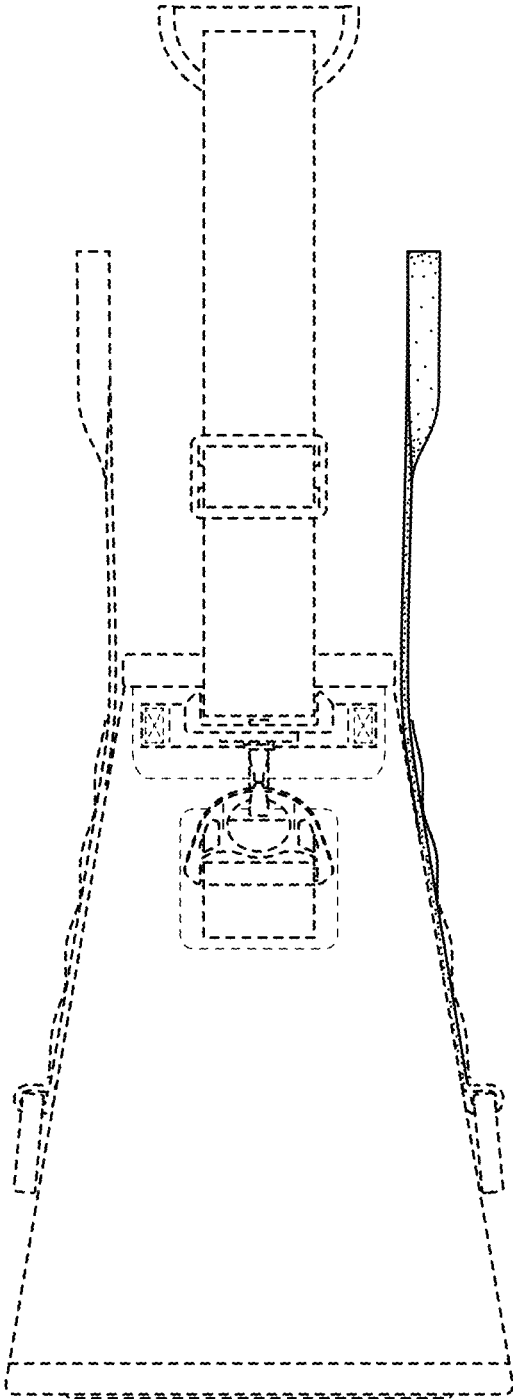


FIG. 3



