



US00D972768S

(12) **United States Design Patent**
Peng

(10) **Patent No.:** **US D972,768 S**

(45) **Date of Patent:** **** Dec. 13, 2022**

- (54) **STAGE LIGHTING**
- (71) Applicant: **Feng Peng**, Hunan (CN)
- (72) Inventor: **Feng Peng**, Hunan (CN)
- (**) Term: **15 Years**
- (21) Appl. No.: **29/764,955**
- (22) Filed: **Jan. 5, 2021**

Related U.S. Application Data

- (63) Continuation-in-part of application No. 29/747,696, filed on Aug. 25, 2020, now Pat. No. Des. 919,875.

(51) **LOC (13) Cl.** **26-05**

(52) **U.S. Cl.**
USPC **D26/110**

(58) **Field of Classification Search**
USPC D26/24, 46, 60, 85, 93, 98, 104, 106, D26/110, 112, 118, 142; D16/221, 225
CPC .. F21S 10/00; F21S 10/02; F21S 10/06; F21S 10/005; F21S 10/007; F21S 10/063; F21S 6/00; F21S 6/002; F21S 6/003; F21S 6/006; F21S 6/007; F21S 6/008; F21V 3/04; F21V 9/08; F21W 2131/30; F21W 2131/406; F21W 2121/00; F21W 2121/006; F21W 2121/008
See application file for complete search history.

(56) **References Cited**

U.S. PATENT DOCUMENTS

- 4,858,079 A * 8/1989 Ohashi F21V 33/008 353/62
- D469,207 S * 1/2003 Chang D26/104
- D700,385 S 2/2014 Quadri
- D731,578 S 6/2015 Johnson
- D770,656 S 11/2016 Quadri
- D807,566 S 1/2018 Duarte et al.
- D814,686 S 4/2018 Chen

- D840,582 S * 2/2019 Liu D26/104
- D841,211 S 2/2019 Wang
- D866,014 S 11/2019 Zhang
- D875,994 S 2/2020 Yu
- D890,406 S * 7/2020 Chen D26/104
- D898,271 S * 10/2020 Zheng D26/110
- D900,376 S * 10/2020 Wang D26/104
- D901,065 S * 11/2020 Wang D26/104
- D901,747 S * 11/2020 Lin D26/94
- D907,281 S * 1/2021 Wu D26/104
- D914,958 S * 3/2021 Zheng D26/110
- D915,661 S * 4/2021 Zhu D26/106
- D919,875 S * 5/2021 Peng D26/110
- D919,876 S * 5/2021 Ouyang D26/110
- D927,043 S * 8/2021 Tian D26/93
- D927,751 S * 8/2021 Zheng D26/51
- D927,767 S * 8/2021 Zheng D26/110
- 11,092,301 B2 * 8/2021 Zheng F21V 5/04
- D930,222 S * 9/2021 Song D26/106
- D933,282 S * 10/2021 Ji D26/93
- 11,156,352 B1 * 10/2021 Li F21S 10/007

(Continued)

Primary Examiner — Wan Laymon
Assistant Examiner — Clint A Samuel

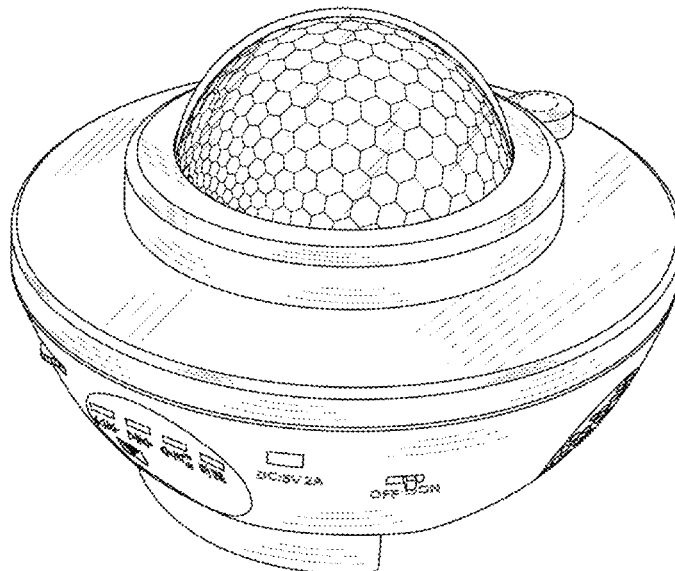
(57) **CLAIM**

The ornamental design for a stage lighting, as shown and described.

DESCRIPTION

FIG. 1 is a perspective view of a stage lighting showing my new design;
FIG. 2 is a front elevation view thereof;
FIG. 3 is a rear elevation view thereof;
FIG. 4 is a left side elevation view thereof;
FIG. 5 is a right side elevation view thereof;
FIG. 6 is a top plan view thereof; and,
FIG. 7 is a bottom plan view thereof.
The broken lines illustrate portions of the stage lighting that form no part of the claimed design.

1 Claim, 7 Drawing Sheets



(56)

References Cited

U.S. PATENT DOCUMENTS

D939,968	S *	1/2022	Zhao	D26/54
D951,522	S *	5/2022	Xiong	D26/110
D953,612	S *	5/2022	Hisle De Beauchaine ..	D26/112
D956,322	S *	6/2022	Li	D26/106
D959,046	S *	7/2022	Hendifar	D26/110
D959,727	S *	8/2022	Tang	D26/110
D959,728	S *	8/2022	Li	D26/104
2021/0164628	A1 *	6/2021	Zheng	F21V 5/005
2021/0247039	A1 *	8/2021	Zheng	F21S 10/007
2021/0364142	A1 *	11/2021	Zheng	F21S 10/007
2021/0381666	A1 *	12/2021	Zheng	G03B 21/145

* cited by examiner

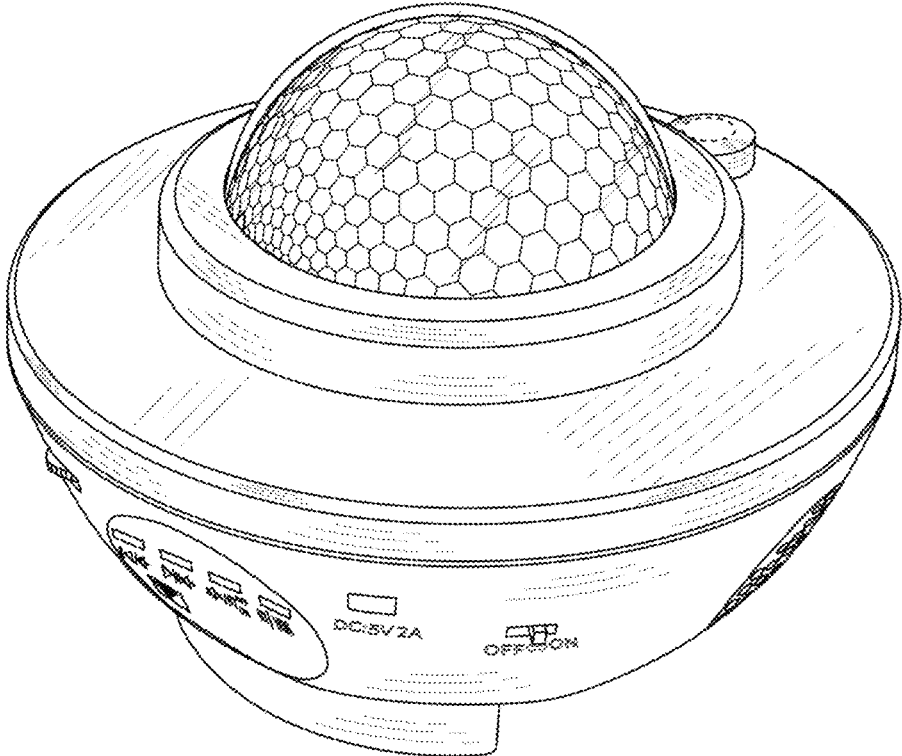


FIG.1

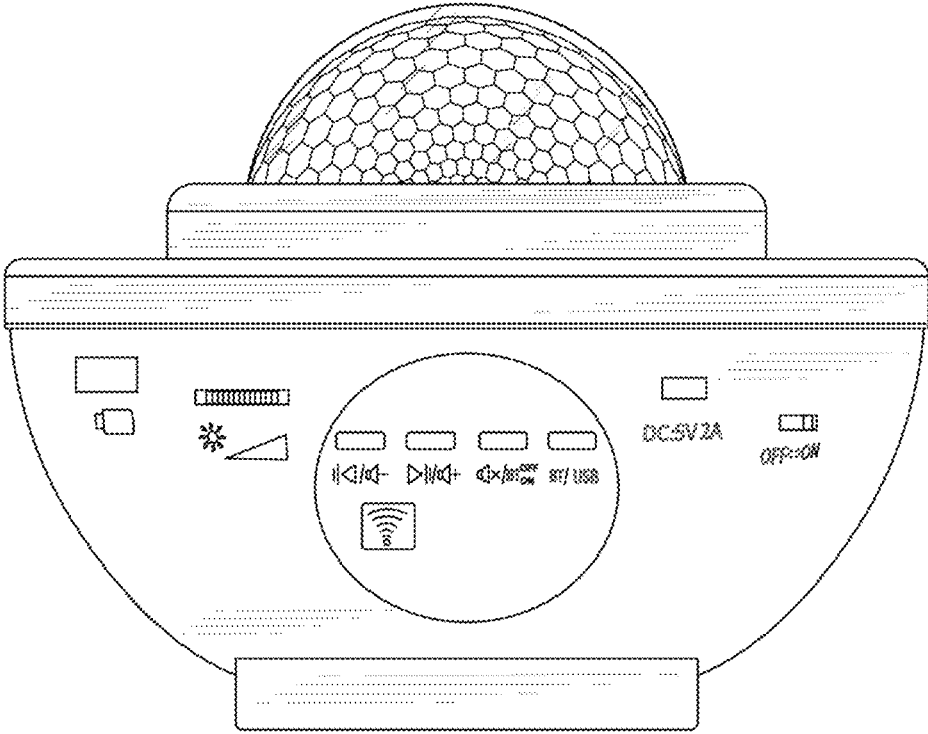


FIG.2

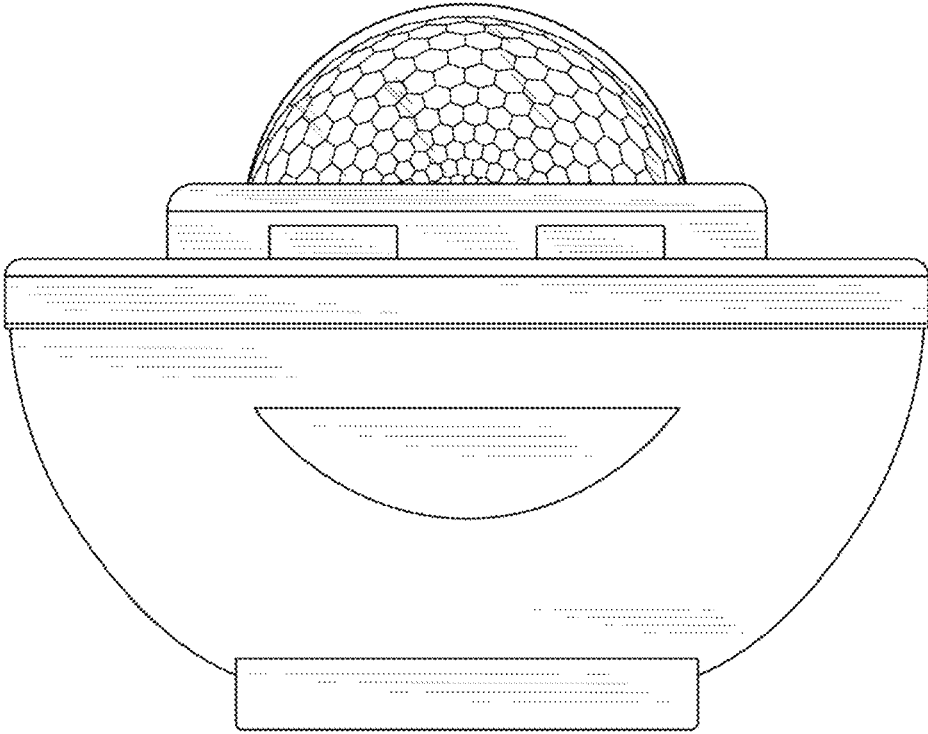


FIG.3

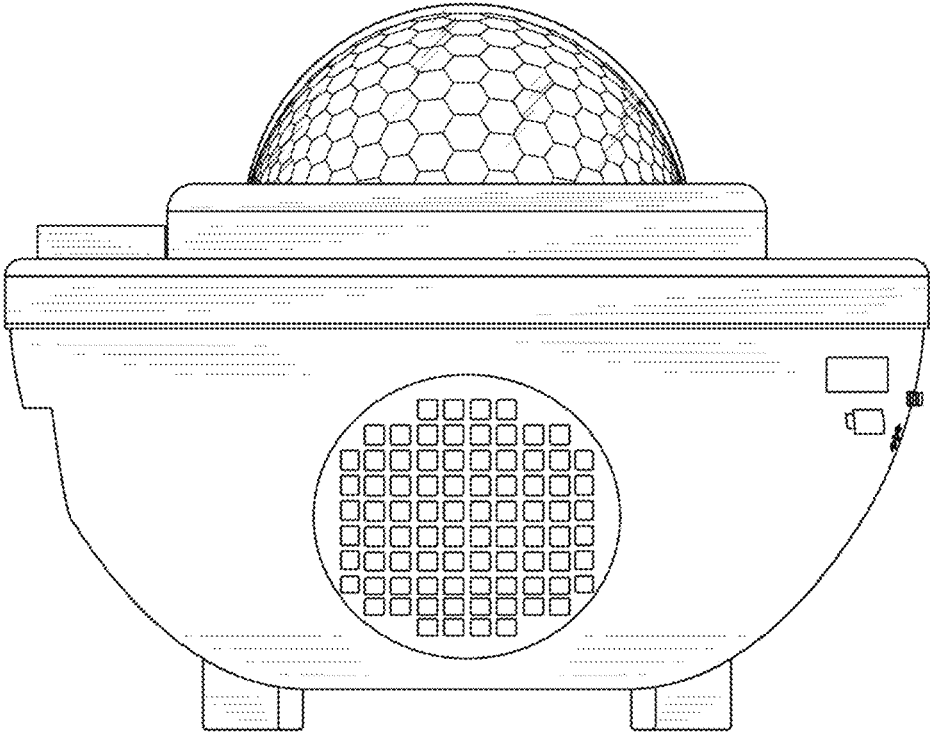


FIG.4

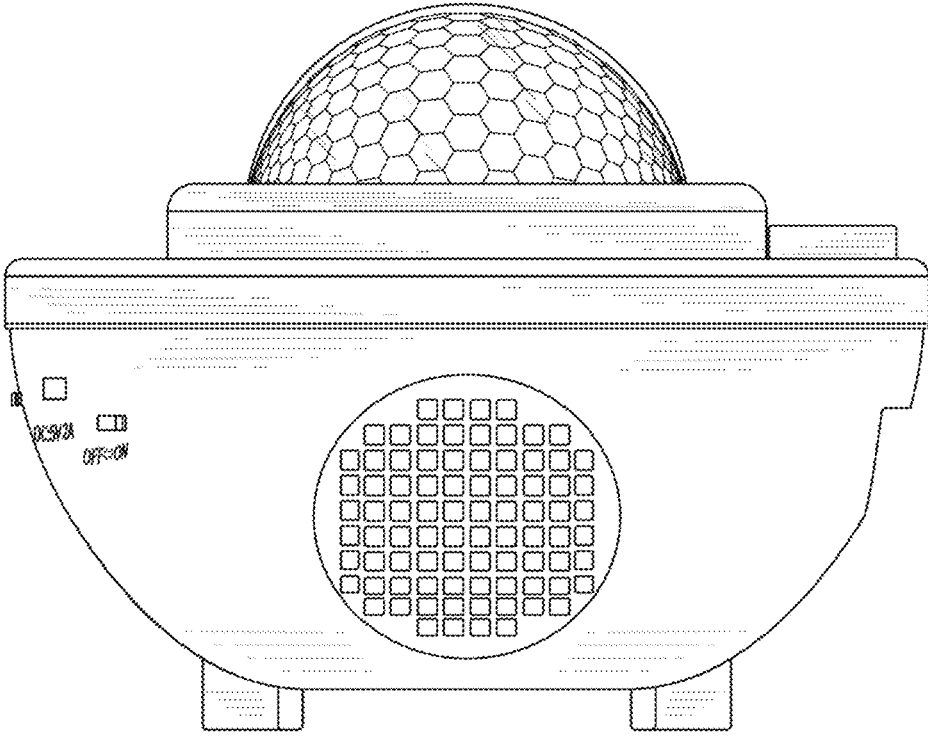


FIG.5

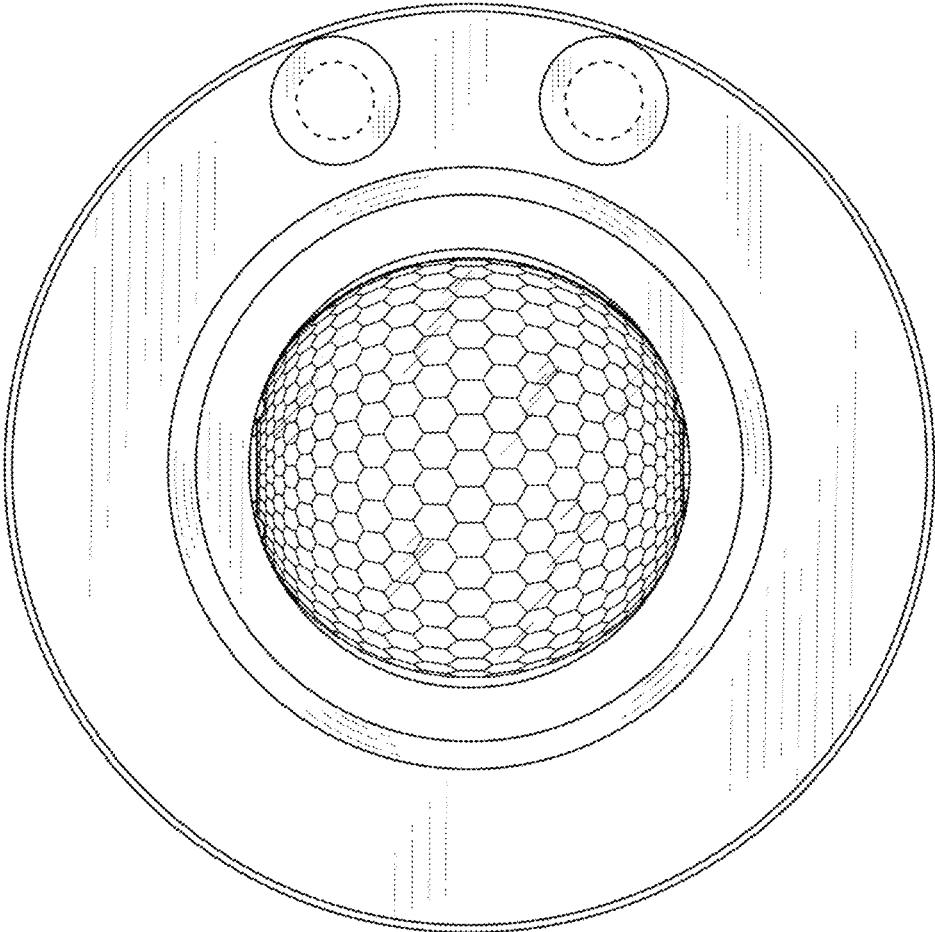


FIG.6

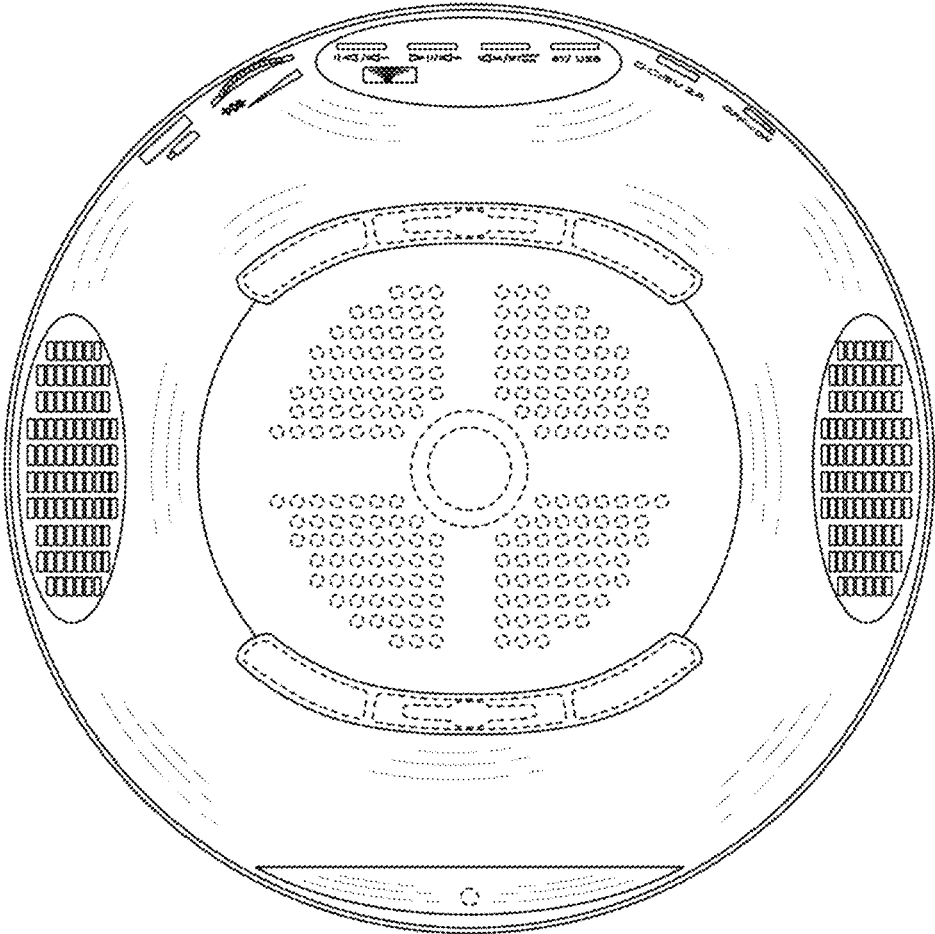


FIG. 7