



US00D899265S

(12) **United States Design Patent**
Murray

(10) **Patent No.:** **US D899,265 S**

(45) **Date of Patent:** **** Oct. 20, 2020**

(54) **VIAL**

B65D 33/02; B65D 33/04; B65D 33/24;
G01N 33/50; G01N 33/48; G01N
33/5005

(71) Applicant: **Pouch Pac Innovations, LLC**,
Sarasota, FL (US)

See application file for complete search history.

(72) Inventor: **R. Charles Murray**, Sarasota, FL (US)

(56) **References Cited**

(73) Assignee: **Pouch Pac Innovations, LLC**,
Sarasota, FL (US)

U.S. PATENT DOCUMENTS

(**) Term: **15 Years**

D861,494 S * 10/2019 Hartung D9/702
D863,590 S * 10/2019 Levine D24/224
D870,275 S * 12/2019 Murray D24/115

(21) Appl. No.: **29/672,356**

* cited by examiner

(22) Filed: **Dec. 5, 2018**

Primary Examiner — Abraham Bahta

(51) **LOC (12) Cl.** **09-05**

(74) *Attorney, Agent, or Firm* — Dinsmore & Shohl LLP

(52) **U.S. Cl.**

(57) **CLAIM**

USPC **D9/707**

The ornamental design for a vial, as shown and described.

(58) **Field of Classification Search**

DESCRIPTION

USPC D9/702–714, 443, 447, 499, 516–517,
D9/523, 524, 526, 528, 530, 719, 572,
D9/520, 521, 529; D24/118, 207, 108,
D24/169, 216, 117, 115; 383/6, 9, 22,
383/96, 61.1, 80–81, 104, 901, 63, 203,
383/107, 119–120, 123, 61.2, 44;
220/675, 495.03, 200, 288; 215/381–385,
215/400, 328, 316, 200, 217; 206/484;
D3/202, 203.1, 203.2; 428/34.3, 35.2;
222/92, 215, 95, 107; 604/408, 403, 415
CPC B65D 35/00; B65D 35/08; B65D 11/00;
B65D 11/04; B65D 1/00; B65D 1/02;
B65D 1/023; B65D 1/32; B65D 33/00;

FIG. 1 is a front perspective view of the vial showing my new design;

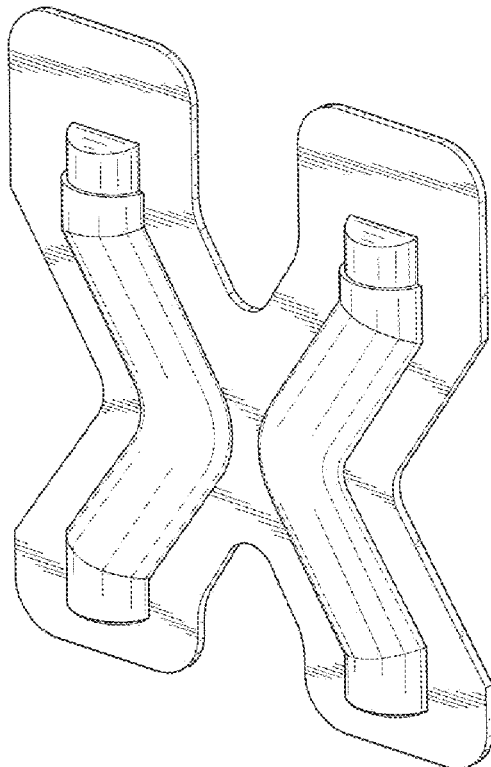
FIG. 2 is a front elevational view thereof;

FIG. 3 is a side view thereof illustrating protrusions with arcuate cross section extend in opposed directions from a planar portion;

FIG. 4 is a top view thereof illustrating protrusions with arcuate cross section extend in opposed directions from a planar portion; and,

FIG. 5 is a bottom view thereof illustrating protrusions with arcuate cross section extend in opposed directions from a planar portion.

1 Claim, 2 Drawing Sheets



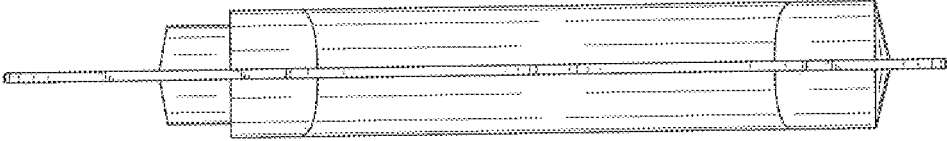


FIG. 3

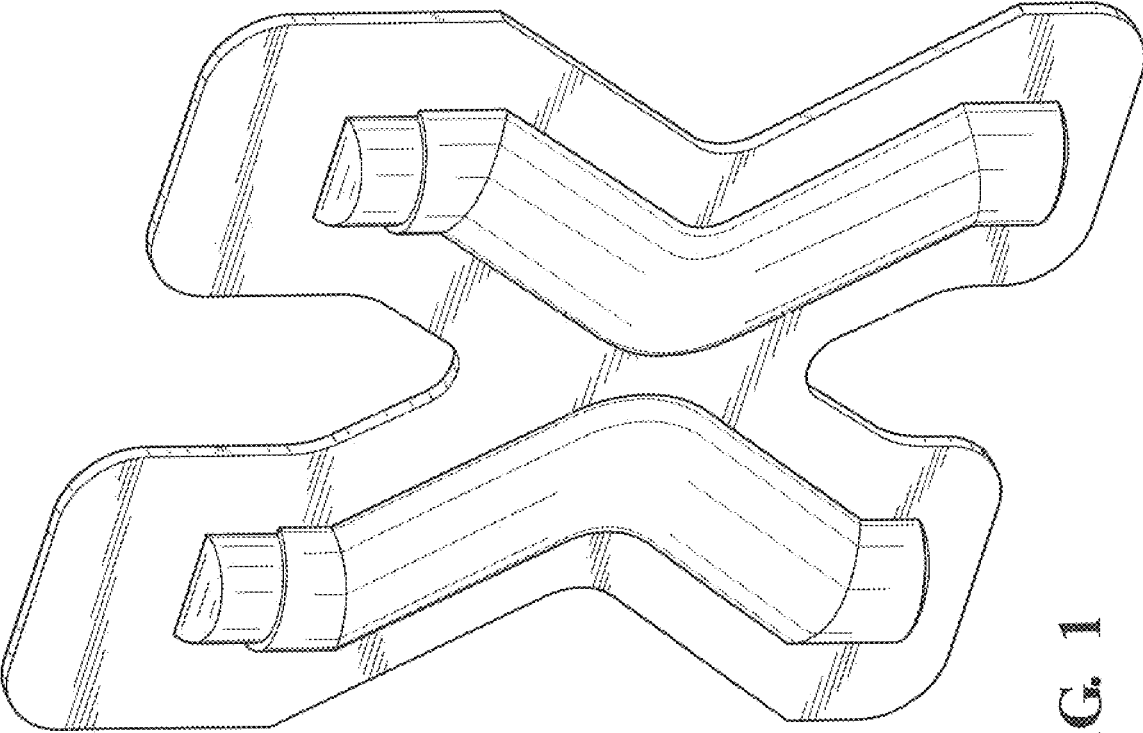


FIG. 1

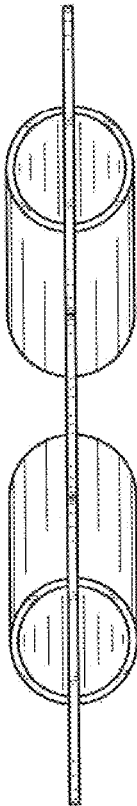


FIG. 4

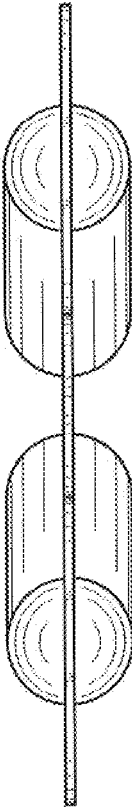


FIG. 5

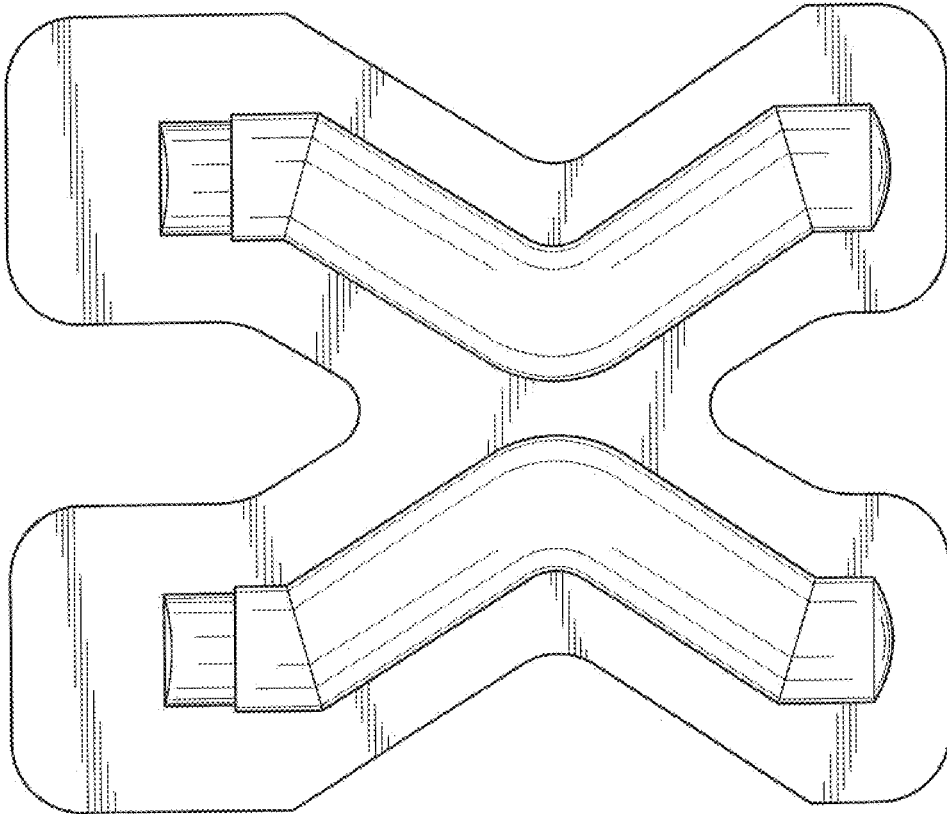


FIG. 2