



US00D772003S

(12) **United States Design Patent** (10) **Patent No.:** **US D772,003 S**
Broen et al. (45) **Date of Patent:** **** Nov. 22, 2016**

- (54) **DISPENSER**
- (71) Applicant: **PepsiCo, Inc.**, Purchase, NY (US)
- (72) Inventors: **Martin Eduardo Broen**, New York, NY (US); **Stephen Lim**, Chappaqua, NY (US); **Martin Ivar Franzen**, Milan (IT); **Mauro Scamporlino**, Siracusa (IT)
- (73) Assignee: **PepsiCo, Inc.**, Purchase, NY (US)
- (**) Term: **14 Years**
- (21) Appl. No.: **29/517,676**
- (22) Filed: **Feb. 15, 2015**
- (51) **LOC (10) Cl.** **07-99**
- (52) **U.S. Cl.**
USPC **D7/397; D7/399; D7/307**
- (58) **Field of Classification Search**
USPC D7/300, 306-311, 305, 355, 362, 365, D7/367, 397, 399; 222/146.6, 185.1, 135; 99/295, 273, 304, 288, 279, 307, 283; D20/4
CPC A47J 31/46; A47J 31/407; A47J 31/50; A47J 31/18; A47J 31/00; A47J 27/04; A47J 31/0573; A47J 31/52
See application file for complete search history.

D486,687 S * 2/2004 Strandell D7/307
D649,393 S * 11/2011 Cohlma D7/307
D746,623 S * 1/2016 Hovsepian D7/309

OTHER PUBLICATIONS

JPO's HC27013807 document, Cimbali Espresso Machine. La Cimbali, p. 5, cited in Decision to Grant for JP App. No. 2015-17998.

JPO's HJ23031961 document, W. W. Grainger, Inc., Web page, GB8M10-LD-U, cited in Decision to Grant for JP App. No. 2015-17998.

* cited by examiner

Primary Examiner — Marianne Pandozzi

(74) *Attorney, Agent, or Firm* — Sterne, Kessler, Goldstein & Fox P.L.L.C.

(57) **CLAIM**

The ornamental design for a dispenser, as shown and described.

DESCRIPTION

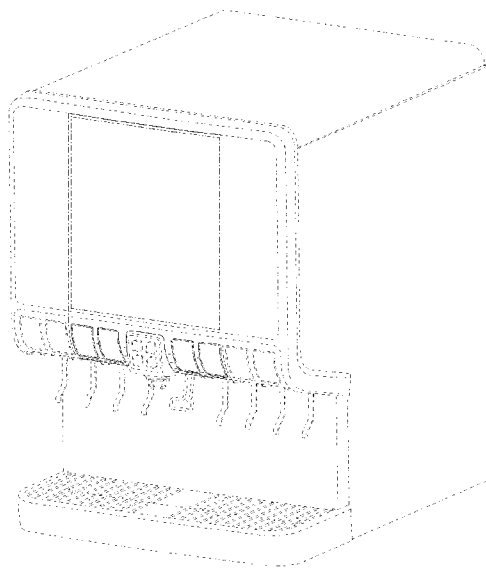
FIG. 1 is a top, front, right perspective view of a dispenser showing our new design;
FIG. 2 is a front view thereof; and,
FIG. 3 is an enlarged view of FIG. 1 with most of the broken line subject matter removed for ease of illustration.
The uneven-length broken lines represent unclaimed boundaries of the claimed design. The unclaimed line features shown in even-length broken lines in FIG. 3, and also shown in other figures, form no part of the claimed design. The even-length broken lines showing the remainder of the dispenser are for environmental purposes only and form no part of the claimed design.

1 Claim, 3 Drawing Sheets

(56) **References Cited**

U.S. PATENT DOCUMENTS

| | | | | |
|--------------|--------|----------------|-------|--------|
| D215,045 S * | 8/1969 | Benjamin | | D7/309 |
| D335,062 S * | 4/1993 | Kolada | | D15/80 |
| D359,874 S * | 7/1995 | Smith | | D7/308 |
| D367,585 S | 3/1996 | Piatnik et al. | | |
| D368,617 S * | 4/1996 | Jackson | | D7/306 |
| D390,058 S * | 2/1998 | Landers | | D7/307 |
| D442,417 S * | 5/2001 | Jones | | D7/307 |



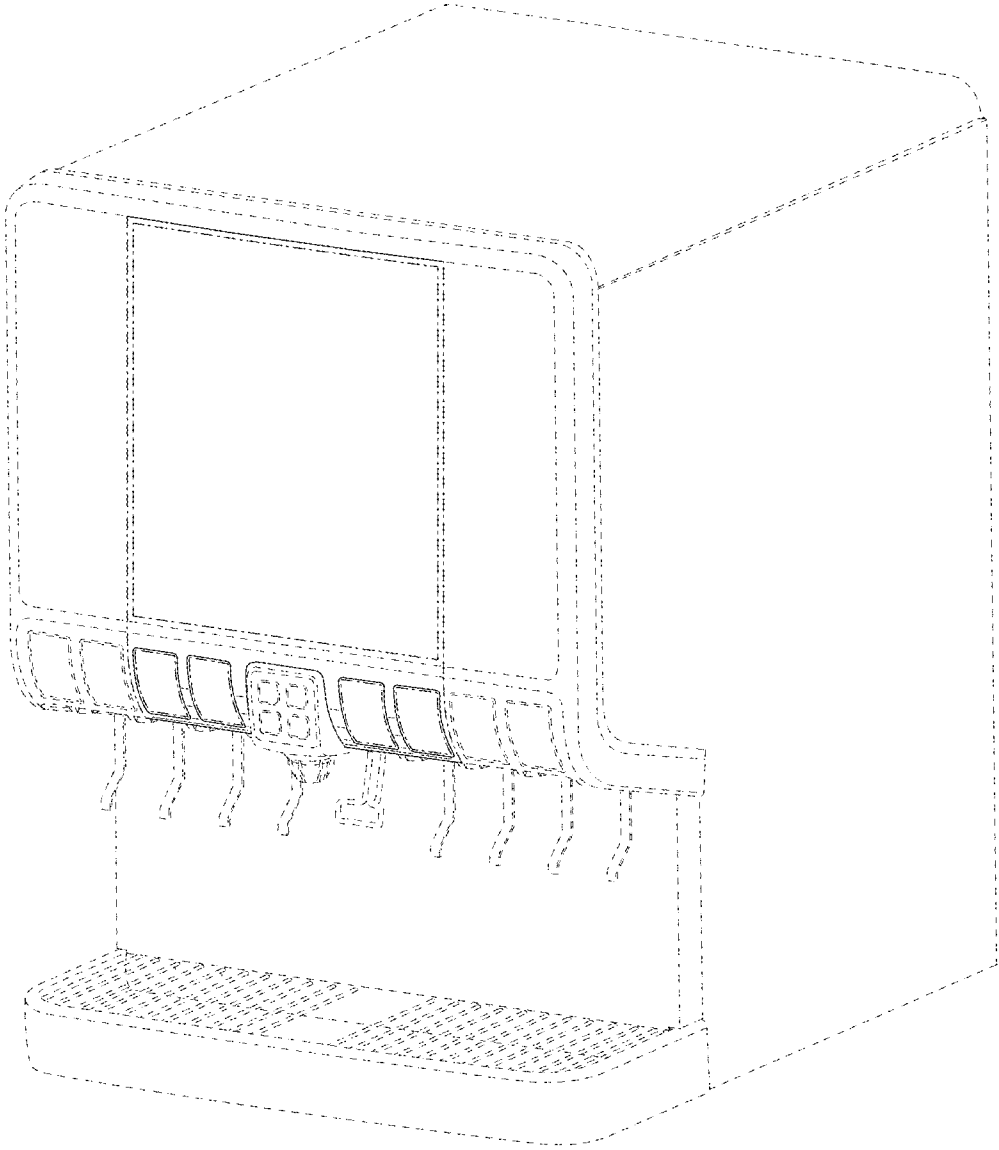


FIG. 1

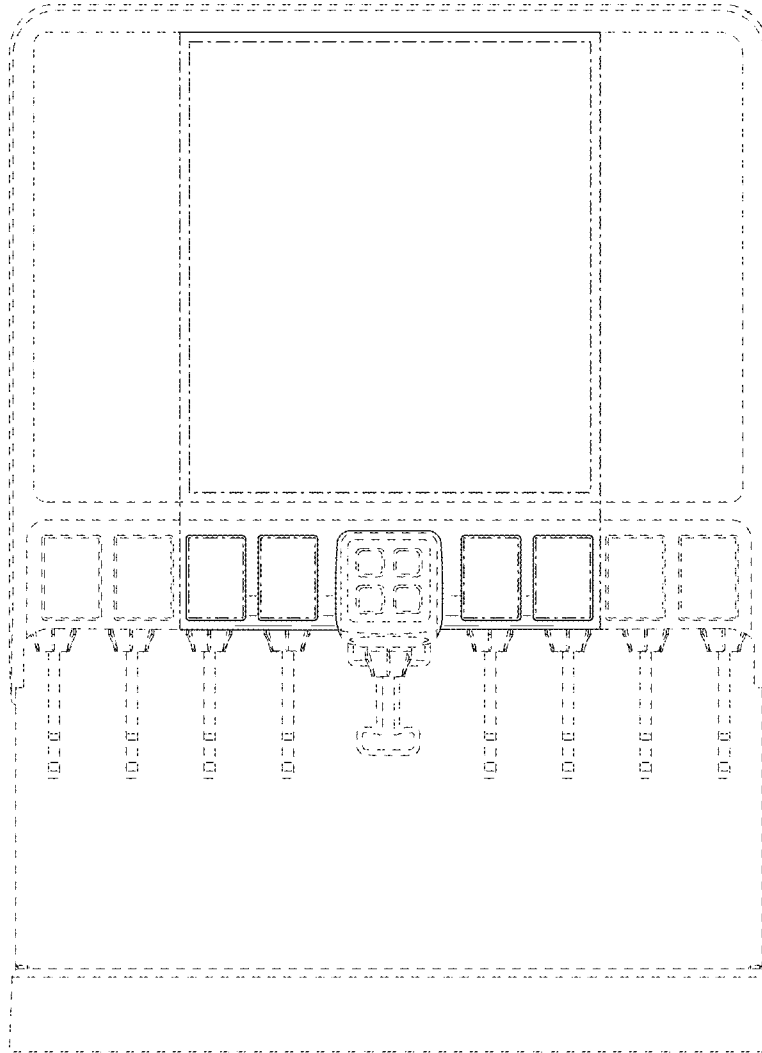


FIG. 2

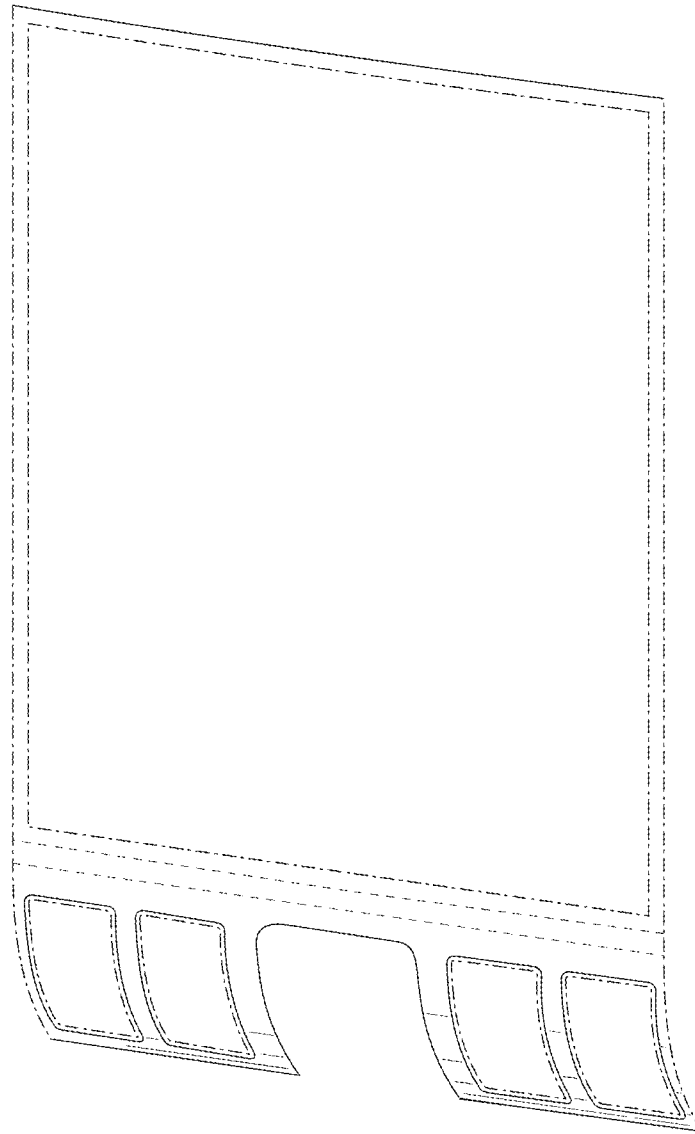


FIG. 3