



US00D697736S

(12) **United States Design Patent**
Schweikarth et al.

(10) **Patent No.:** **US D697,736 S**

(45) **Date of Patent:** **** Jan. 21, 2014**

(54) **CHAIR**

(71) Applicant: **Kimball International, Inc.**, Jasper, IN (US)

(72) Inventors: **Derek Schweikarth**, Celestine, IN (US);
Mark Wahl, Lincoln City, IN (US);
Donald Woods, Celestine, IN (US)

(73) Assignee: **Kimball International, Inc.**, Jasper, IN (US)

(**) Term: **14 Years**

(21) Appl. No.: **29/457,787**

(22) Filed: **Jun. 13, 2013**

Related U.S. Application Data

(62) Division of application No. 29/424,199, filed on Jun. 8, 2012, now Pat. No. Des. 689,295.

(51) **LOC (10) CI.** **06-01**

(52) **U.S. CI.**

USPC **D6/379**

(58) **Field of Classification Search**

USPC D6/334-336, 344-353, 360-381, 388,
D6/403, 491-502, 692, 708, 716,
D6/716.2-716.4; 297/16.1, 22, 31, 35,
297/217.1, 228.12, 248, 256.16, 271.6,
297/284.4-284.5, 291, 297, 302.4, 411.2,
297/411.27-411.29, 411.43, 423.1, 423.12,
297/440.11, 440.15, 440.21-440.24, 448.1,
297/451.4, 452.13, 452.19, 452.21, 452.27,
297/452.29, 452.3, 452.41, 452.56, 452.64

See application file for complete search history.

(56) **References Cited**

U.S. PATENT DOCUMENTS

D31,049 S 6/1899 Graves
D41,617 S 7/1911 Wanner

D141,017 S 4/1945 Stanitz
D190,907 S 7/1961 Kasparian
D199,059 S * 9/1964 Jakobsen D6/374
D285,031 S 8/1986 Clark
D286,827 S 11/1986 Arthur, Jr.
4,657,302 A 4/1987 Snyder
D292,049 S 9/1987 Goldman
D293,518 S * 1/1988 Tonon D6/370
D305,389 S 1/1990 Bellini
D307,684 S 5/1990 Williams
D312,005 S 11/1990 Snodgrass

(Continued)

FOREIGN PATENT DOCUMENTS

GB D2058701 12/1996
GB D2060883 2/1997

(Continued)

OTHER PUBLICATIONS

Bizchair.com <http://www.bizchair.com/93286-lzbf.html> (Accessed Apr. 19, 2011.).

(Continued)

Primary Examiner — Ricky Pham

(74) *Attorney, Agent, or Firm* — Faegre Baker Daniels LLP

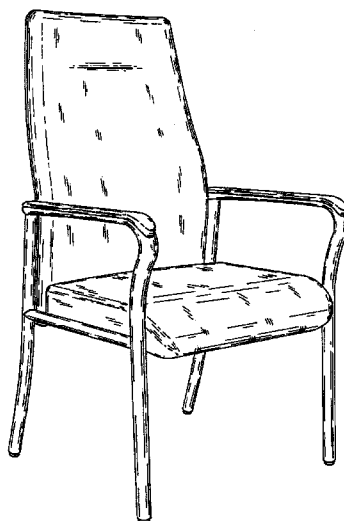
(57) **CLAIM**

The ornamental design for a chair, as shown.

DESCRIPTION

FIG. 1 is a front perspective view of a chair according to our new design;
FIG. 2 is a front view thereof;
FIG. 3 is a rear view thereof;
FIG. 4 is a right side view thereof;
FIG. 5 is a left side view thereof; and,
FIG. 6 is a top view thereof.

1 Claim, 4 Drawing Sheets



(56)

References Cited

U.S. PATENT DOCUMENTS

D320,510 S 10/1991 Ivecevic
 D327,987 S 7/1992 Delmerico et al.
 D336,723 S 6/1993 Asbjornsen
 D342,166 S 12/1993 Heidmann
 5,292,177 A 3/1994 Balderi et al.
 5,306,072 A 4/1994 Caldwell
 D349,609 S 8/1994 Aronowitz et al.
 D349,822 S 8/1994 Murry
 D357,375 S 4/1995 Noll
 D358,041 S * 5/1995 Watts D6/379
 5,431,479 A 7/1995 Leib
 D363,389 S 10/1995 Leib
 D366,158 S 1/1996 Wirth
 D367,192 S 2/1996 Frattini
 D379,564 S 6/1997 Burdick et al.
 D383,618 S 9/1997 Burdick et al.
 D385,425 S 10/1997 Goetz
 D389,452 S 1/1998 Scott
 D391,411 S * 3/1998 Walters et al. D6/379
 D396,563 S 8/1998 Meijer
 D400,015 S 10/1998 Hutton
 D405,286 S 2/1999 James et al.
 D405,620 S 2/1999 Koepke et al.
 D407,912 S * 4/1999 Walters et al. D6/380
 D410,802 S 6/1999 Olson
 D417,970 S * 12/1999 Duffy et al. D6/379
 D419,314 S 1/2000 Saul
 D422,426 S 4/2000 Donnelly
 D436,751 S 1/2001 Schacht
 D439,068 S 3/2001 Vanderbyl
 D442,395 S 5/2001 McClintock et al.
 D444,956 S 7/2001 Martin
 D445,574 S 7/2001 Foster
 D446,958 S 8/2001 Olson
 D447,882 S 9/2001 Kane
 D448,191 S 9/2001 Kane
 D448,192 S 9/2001 Kane
 D451,688 S 12/2001 Cramer
 D454,715 S 3/2002 Olson
 D464,209 S 10/2002 Piretti
 D465,676 S 11/2002 Pathiratne
 D470,322 S 2/2003 Tsai
 D474,349 S 5/2003 Striebel
 D481,229 S 10/2003 Weaver
 D491,382 S 6/2004 Caldwell
 D491,756 S 6/2004 Nemeth
 D512,229 S 12/2005 Reza-Hadden
 D513,454 S * 1/2006 Berry et al. D6/370
 D513,669 S 1/2006 Franks
 D514,835 S 2/2006 Grosfillex
 D515,329 S 2/2006 Mohundro
 D516,832 S 3/2006 Schweikarth et al.
 D517,824 S 3/2006 Pensi
 D520,255 S 5/2006 King
 D520,256 S 5/2006 King
 D524,072 S 7/2006 King
 D533,365 S 12/2006 Martin
 D539,561 S 4/2007 Martin
 D540,558 S 4/2007 Neil
 D540,559 S 4/2007 Neil
 D542,046 S * 5/2007 Pessa D6/379
 D543,373 S 5/2007 Schweikarth et al.
 D547,083 S 7/2007 Wang
 D547,964 S 8/2007 Ciano
 D549,979 S 9/2007 Kane et al.
 D551,459 S 9/2007 Zagler
 D566,413 S 4/2008 Huang
 D571,119 S 6/2008 Leonetti et al.
 D572,915 S * 7/2008 Doughty D6/334
 D579,217 S 10/2008 Cramer et al.

D579,226 S 10/2008 Pinaffo et al.
 D579,683 S 11/2008 Vallet et al.
 D587,477 S 3/2009 Neil
 D590,185 S 4/2009 Karashima
 D594,668 S 6/2009 Neil
 D597,332 S 8/2009 Carmon
 D598,669 S 8/2009 Schweikarth et al.
 D601,822 S 10/2009 Neil
 D602,277 S 10/2009 Neil
 D614,876 S 5/2010 Metcalf et al.
 D618,928 S 7/2010 Carmon
 D629,223 S * 12/2010 Swy D6/374
 D629,226 S * 12/2010 Thorfinnson D6/379
 D654,718 S 2/2012 Schweikarth
 D655,528 S 3/2012 Neil
 D657,968 S * 4/2012 Thorfinnson et al. D6/336
 D663,131 S 7/2012 Barefoot et al.
 D665,188 S 8/2012 Schweikarth
 D686,837 S * 7/2013 Schweikarth et al. D6/379

FOREIGN PATENT DOCUMENTS

GB D2079977 4/1999
 GB D2042065 6/1999
 GB D3012705 5/2003
 GB D4015638 5/2010

OTHER PUBLICATIONS

Hill-rom.eleedsamples.com <http://hillrom.eleedsamples.com/Finishes/ePholsterProduct.jsp?lid=2112&mid=1076> (Accessed 19, 2011.).
 Multimedia-furniture.com <http://www.multimedia-furniture.com/Guest+Chairs.html> (Accessed Apr. 19, 2011.).
 Officefurnitureus.com <http://www.officefurnitureus.com/LES-Mystic-Grouping-1-%28180-COLORS%29.htm> (Accessed Apr. 19, 2011.).
 Workspaceconcepts.com <http://www.workspaceconcepts.com/healthcare.html> (Accessed Apr. 19, 2011.).
 Product Information, Spec Healthcare, "Gravity", at least as early as Jun. 10, 2011.
 Product Information, Ki, "Flex", at least as early as Jun. 10, 2011.
 Product Information, Gunlocke, "Molti", at least as early as Jun. 10, 2011.
 Product Information, Nurture, "Aspekt", at least as early as Jun. 10, 2011.
 Product Information, Ki, "Briar", at least as early as Jun. 10, 2011.
 Product Information, Haworth, "Tempo", at least as early as Jun. 10, 2011.
 Product Information, Ki, "Perth", at least as early as Jun. 10, 2011.
 Product Information, Carolina, "Amenity", at least as early as Jun. 10, 2011.
 Product Information, Spec Furniture, "Midway", at least as early as Jun. 10, 2011.
 Product Information, Haworth, "Tally", at least as early as Jun. 10, 2011.
 Product Information, Globalcare, "Primacare", at least as early as Jun. 10, 2011.
 Product Information, Spec Furniture, "Companion", at least as early as Jun. 10, 2011.
 Product Information, Ki, "Soltice", at least as early as Jun. 10, 2011.
 Product Information, Nurture, "Outlook Hawthorne", at least as early as Jun. 10, 2011.
 Product Information, Ki, "Three", at least as early as Jun. 10, 2011.
 Product Information, Spec Furniture, "Cooper" at least as early as Jun. 10, 2011.
 Product Information, Hon, "Versant", at least as early as Jun. 10, 2011.

* cited by examiner

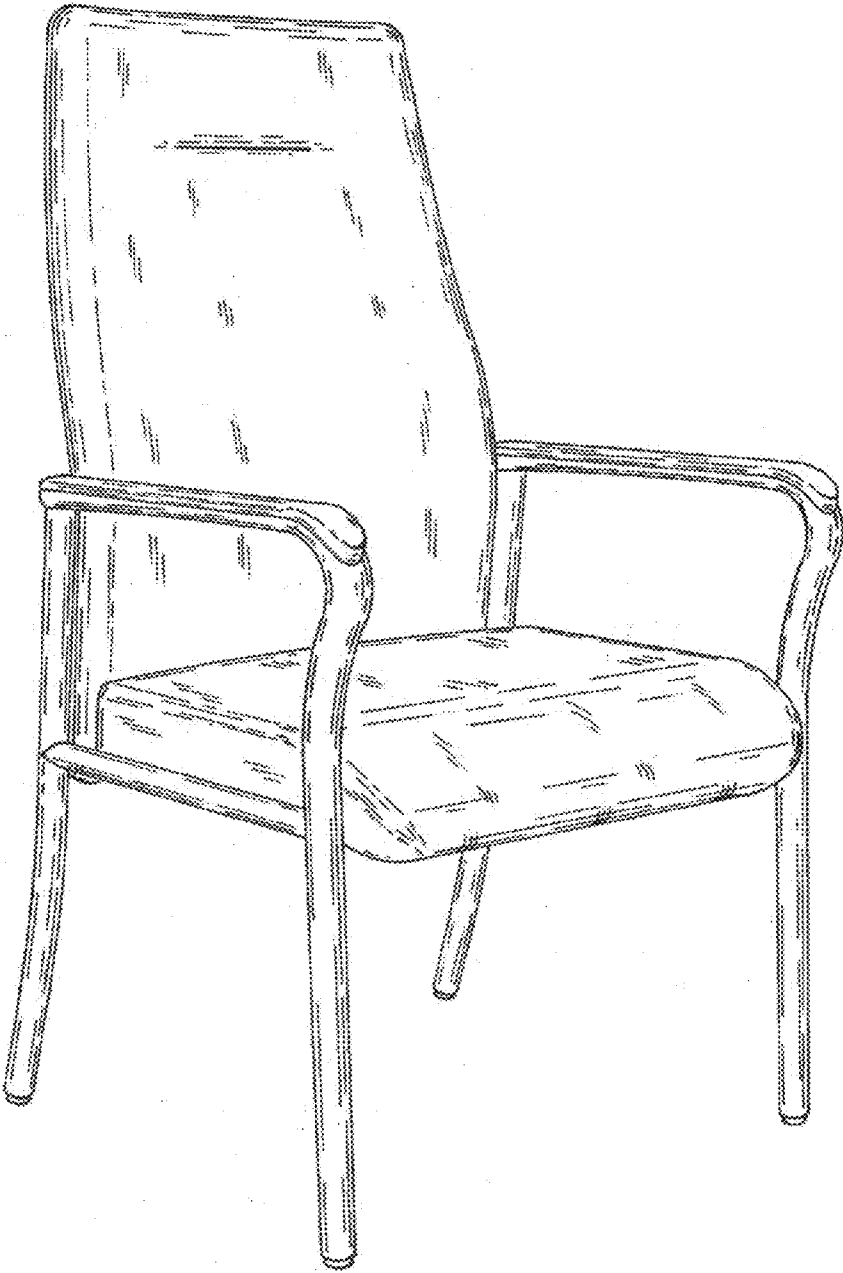


FIG. 1

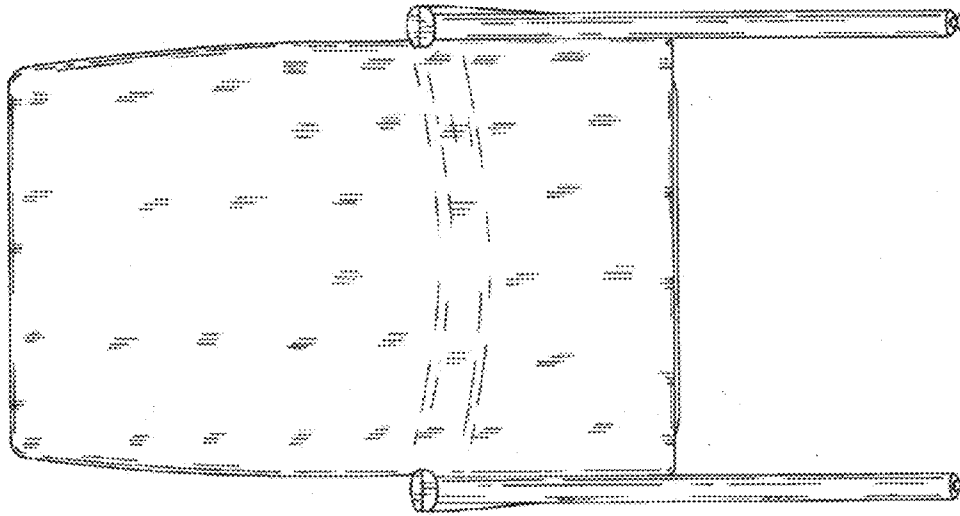


FIG. 2

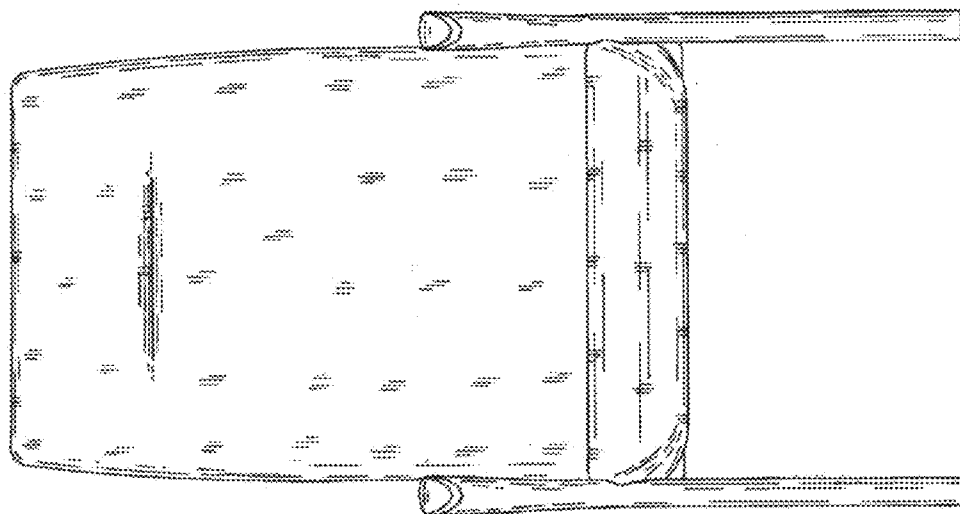


FIG. 3

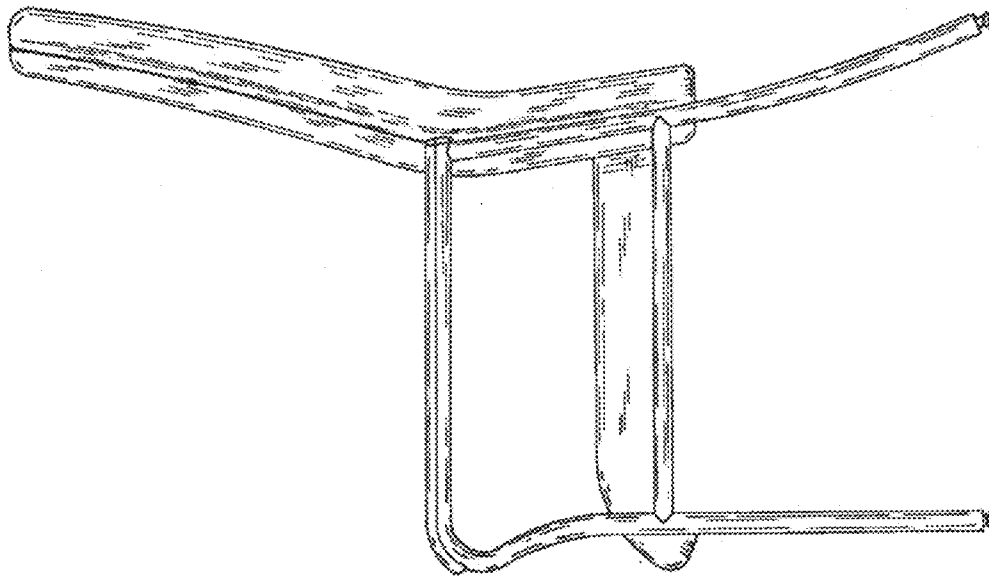


FIG. 5

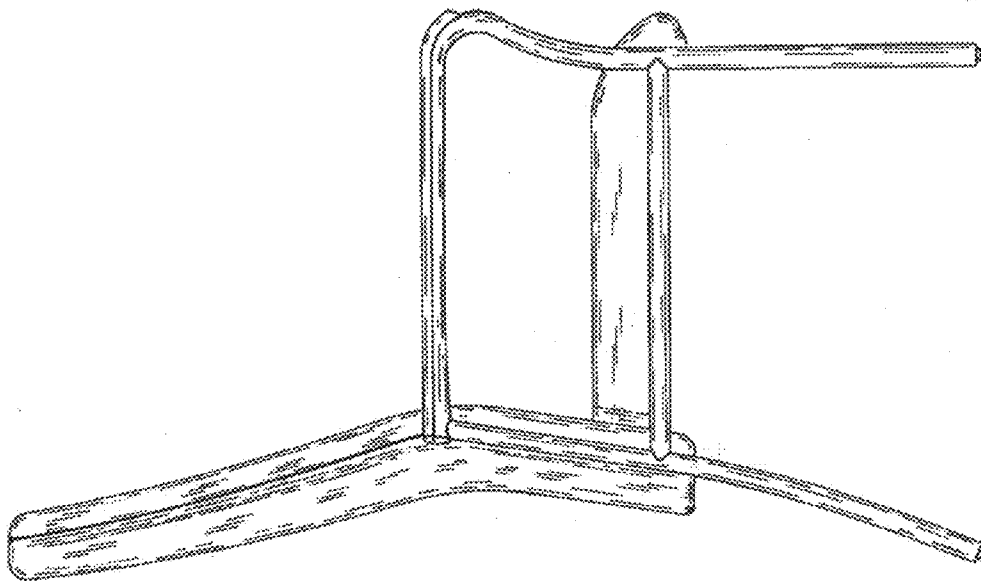


FIG. 4

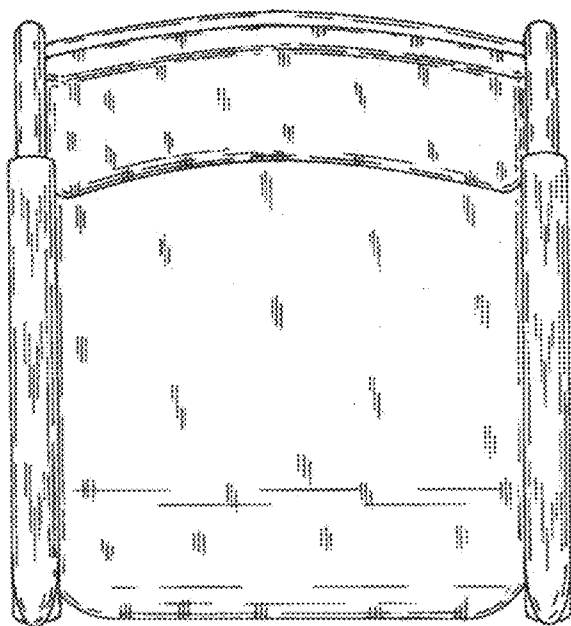


FIG. 6