



US00D456554S

(12) **United States Design Patent**
Hsu

(10) **Patent No.:** **US D456,554 S**

(45) **Date of Patent:** **** Apr. 30, 2002**

(54) **WALL LAMP**

D445,535 S * 7/2001 Mateu D26/145

(75) Inventor: **Kevin Hsu**, Taichung (TW)

* cited by examiner

(73) Assignee: **Dong Guan Bright Yin Huey Lighting Co., Ltd.**, Guang Dong (CN)

Primary Examiner—Alan P. Douglas

Assistant Examiner—Clare E. Heflin

(74) *Attorney, Agent, or Firm*—Rosenberg, Klein & Lee

(**) Term: **14 Years**

(57) **CLAIM**

(21) Appl. No.: **29/140,025**

The ornamental design for a wall lamp, as shown and described.

(22) Filed: **Apr. 12, 2001**

(51) **LOC (7) Cl.** **26-03**

(52) **U.S. Cl.** **D26/87**

(58) **Field of Search** D26/72, 73, 80-92;
362/147, 432, 404-408, 806, 807, 808

DESCRIPTION

FIG. 1 is a perspective view of wall lamp showing my new design;

FIG. 2 is a front elevation view thereof;

FIG. 3 is a rear elevation view thereof;

FIG. 4 is a left side elevation view thereof;

FIG. 5 is a right side elevation view thereof;

FIG. 6 is a top plan view thereof; and,

FIG. 7 is a bottom plan view thereof.

(56) **References Cited**

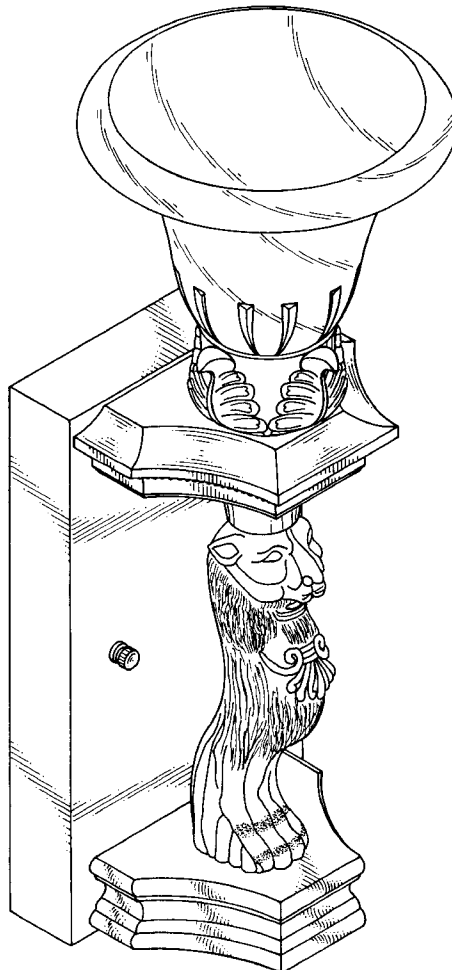
U.S. PATENT DOCUMENTS

D48,361 S * 1/1916 Booth

D69,115 S * 12/1925 Czapek

D442,727 S * 5/2001 Hsu D26/87

1 Claim, 6 Drawing Sheets



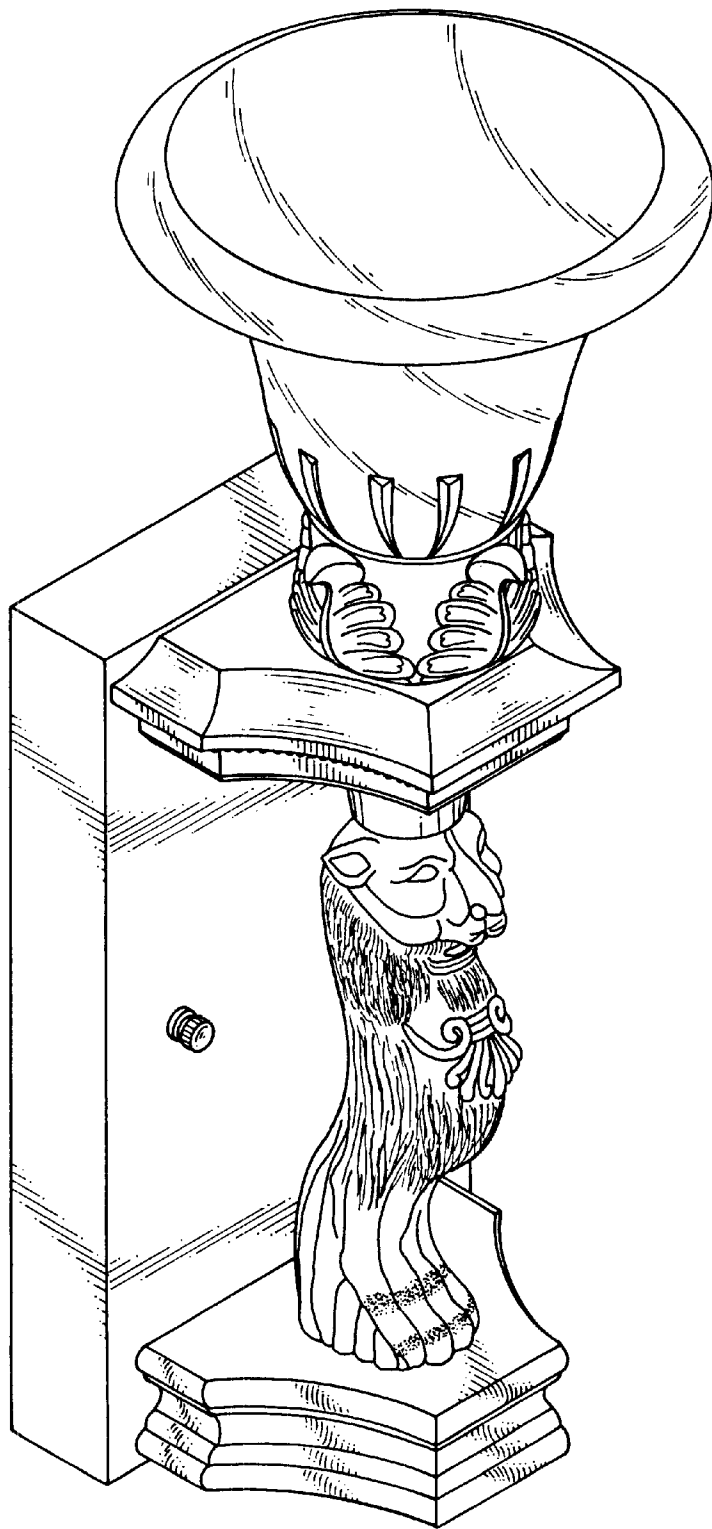


FIG. 1

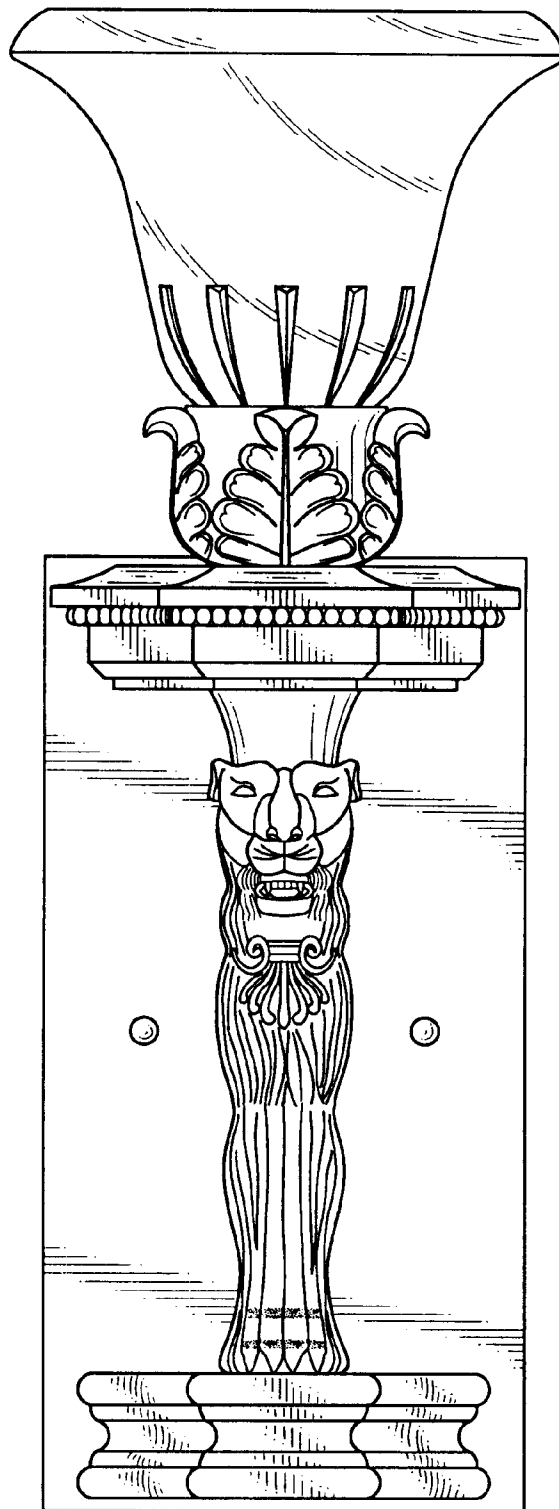


FIG. 2

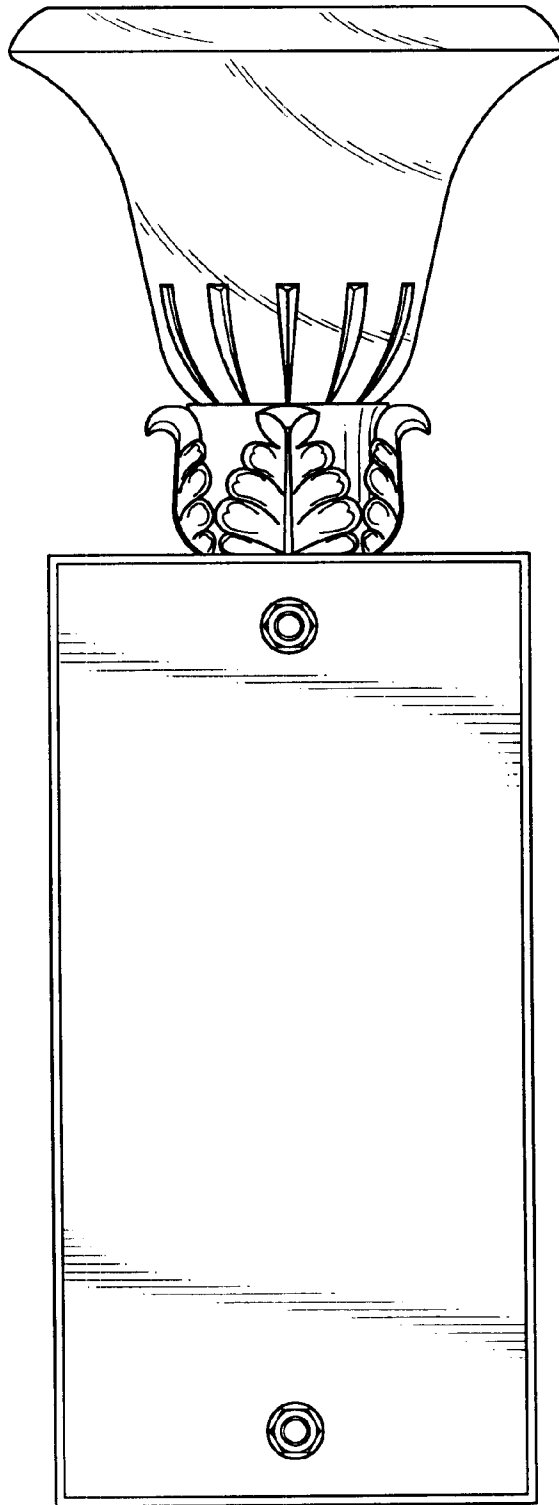


FIG. 3

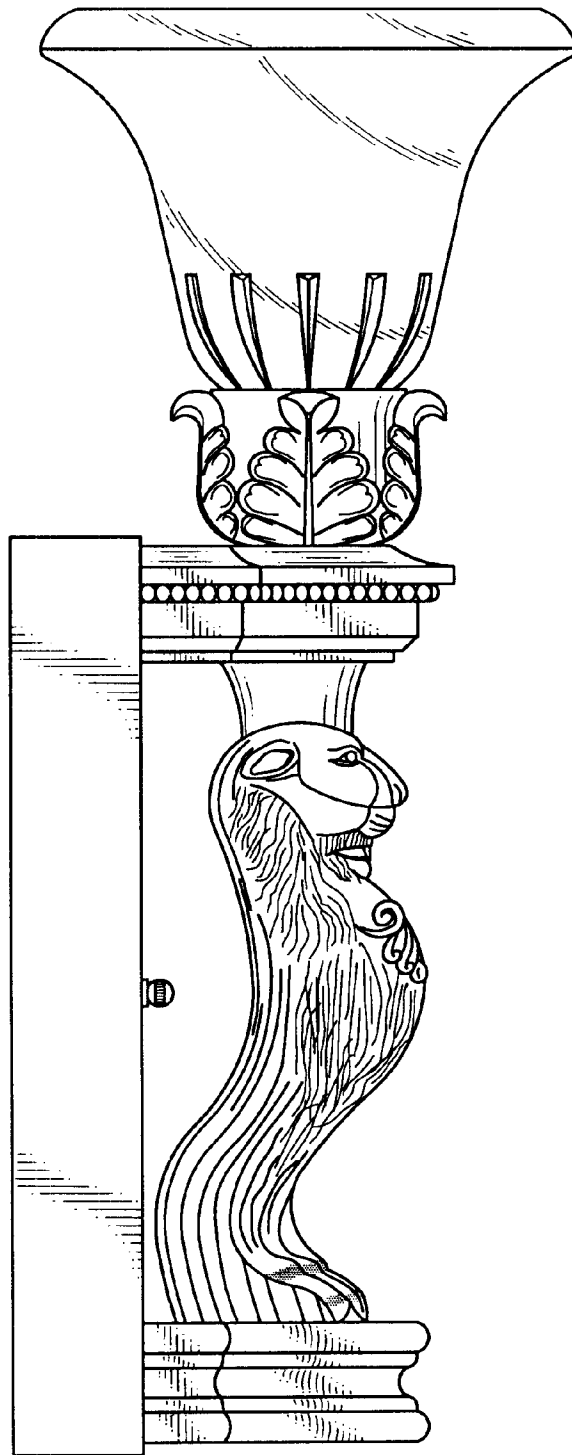


FIG. 4

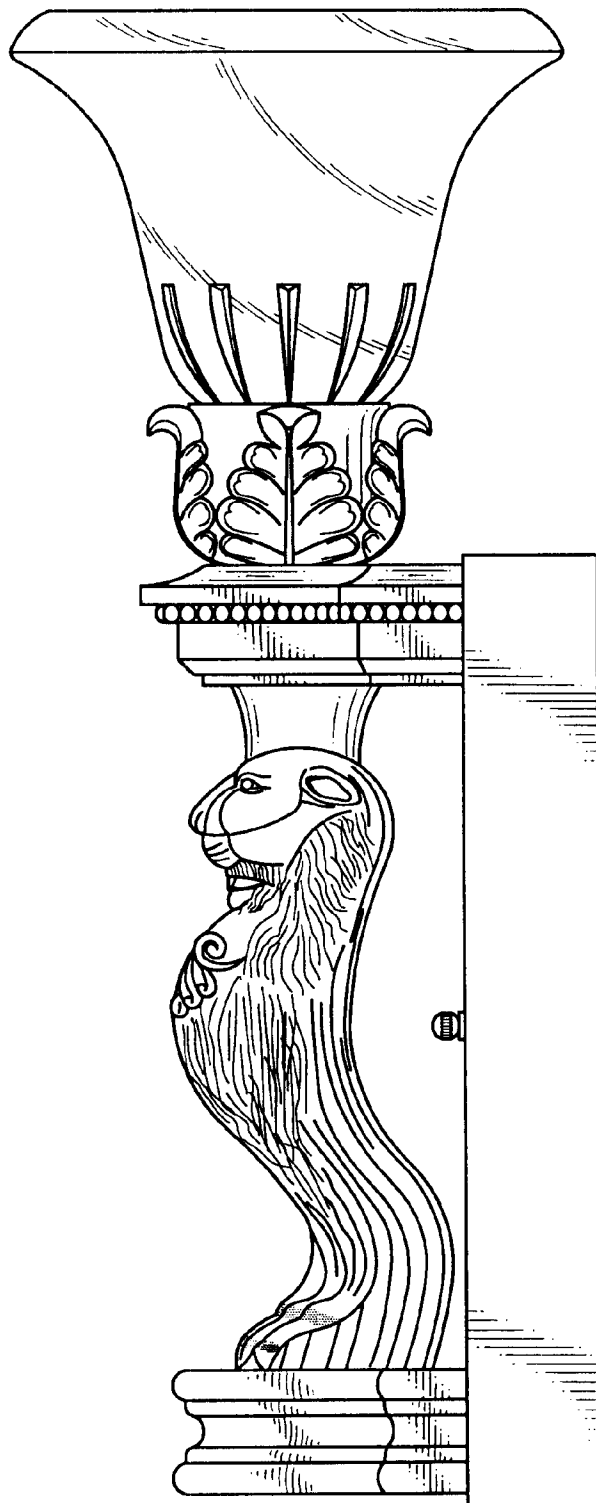


FIG. 5

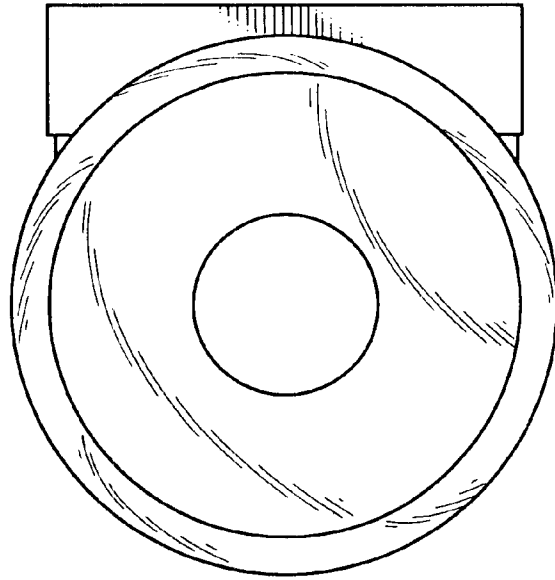


FIG. 6

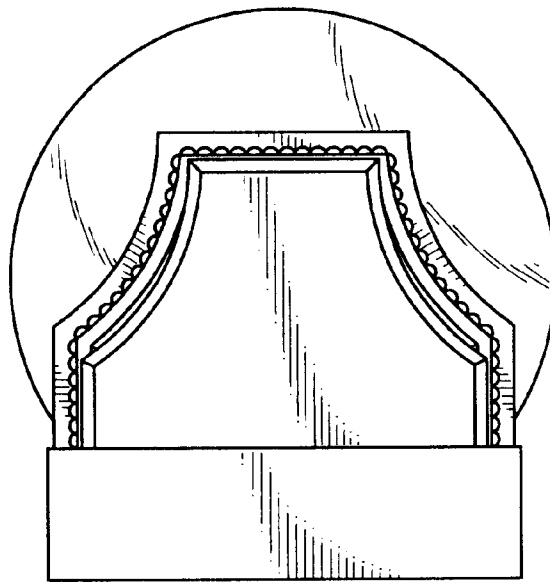


FIG. 7