



US0D1069476S

(12) **United States Design Patent**
Barrett

(10) **Patent No.:** **US D1,069,476 S**

(45) **Date of Patent:** **** Apr. 8, 2025**

- (54) **PAIR OF TABLE LEGS**
- (71) Applicant: **KRUEGER INTERNATIONAL, INC.**, Green Bay, WI (US)
- (72) Inventor: **Shawn Barrett**, Libertyville, IL (US)
- (73) Assignee: **Krueger International, Inc.**, Green Bay, WI (US)
- (**) Term: **15 Years**
- (21) Appl. No.: **29/860,781**

- D882,997 S * 5/2020 Powell D6/700
- D915,810 S 4/2021 Pan
- D945,194 S * 3/2022 Van Faasen D6/708.16
- D957,371 S * 7/2022 Choi D14/126

* cited by examiner

Primary Examiner — Mary Ann Calabrese
(74) *Attorney, Agent, or Firm* — Andrus Intellectual Property Law, LLP

- (22) Filed: **Nov. 22, 2022**
- (51) **LOC (15) Cl.** **06-06**
- (52) **U.S. Cl.**
USPC **D6/709**; D6/656.17; D6/710
- (58) **Field of Classification Search**
USPC D6/656.17, 702, 708, 708.16, 708.17, D6/708.22, 708.23, 709, 709.2, 709.21, D6/710, 712, 717
CPC A47B 7/00; A47B 13/00; A47B 13/003; A47B 13/02; A47B 13/023; A47B 2013/006; A47B 17/00; A47B 21/00; A47B 2200/0011; A47B 2200/002; A47B 2200/0021; A47B 2200/0033
See application file for complete search history.

(57) **CLAIM**
The ornamental design of a pair of table legs as shown and described.

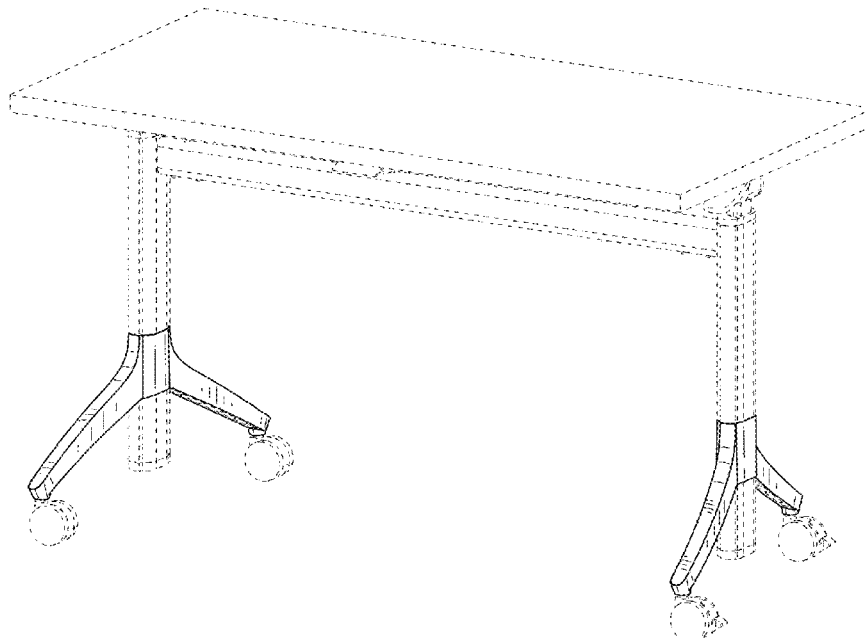
DESCRIPTION

FIG. 1 is a front isometric view for a first embodiment of the pair of table legs;
FIG. 2 is a front plan view thereof;
FIG. 3 is a back plan view thereof;
FIG. 4 is a left side plan view thereof;
FIG. 5 is a right side plan view thereof;
FIG. 6 is a top plan view thereof;
FIG. 7 is a bottom plan view thereof;
FIG. 8 is a front isometric view for a second embodiment of the pair of table legs;
FIG. 9 is a front plan view thereof;
FIG. 10 is a back plan view thereof;
FIG. 11 is a left side plan view thereof;
FIG. 12 is a right side plan view thereof;
FIG. 13 is a top plan view thereof; and,
FIG. 14 is a bottom plan view thereof.
The broken lines shown in the drawing views are included for purposes of illustrating environment and form no part of the claimed design.

(56) **References Cited**
U.S. PATENT DOCUMENTS

- D492,505 S 7/2004 Newhouse
- D569,662 S 5/2008 Simonsen
- D640,075 S 6/2011 Petrick et al.
- D644,046 S * 8/2011 Cronk D6/708
- D644,459 S * 9/2011 Babick D6/709
- D693,152 S 11/2013 Yamamoto
- D875,449 S 2/2020 Powell et al.

1 Claim, 12 Drawing Sheets



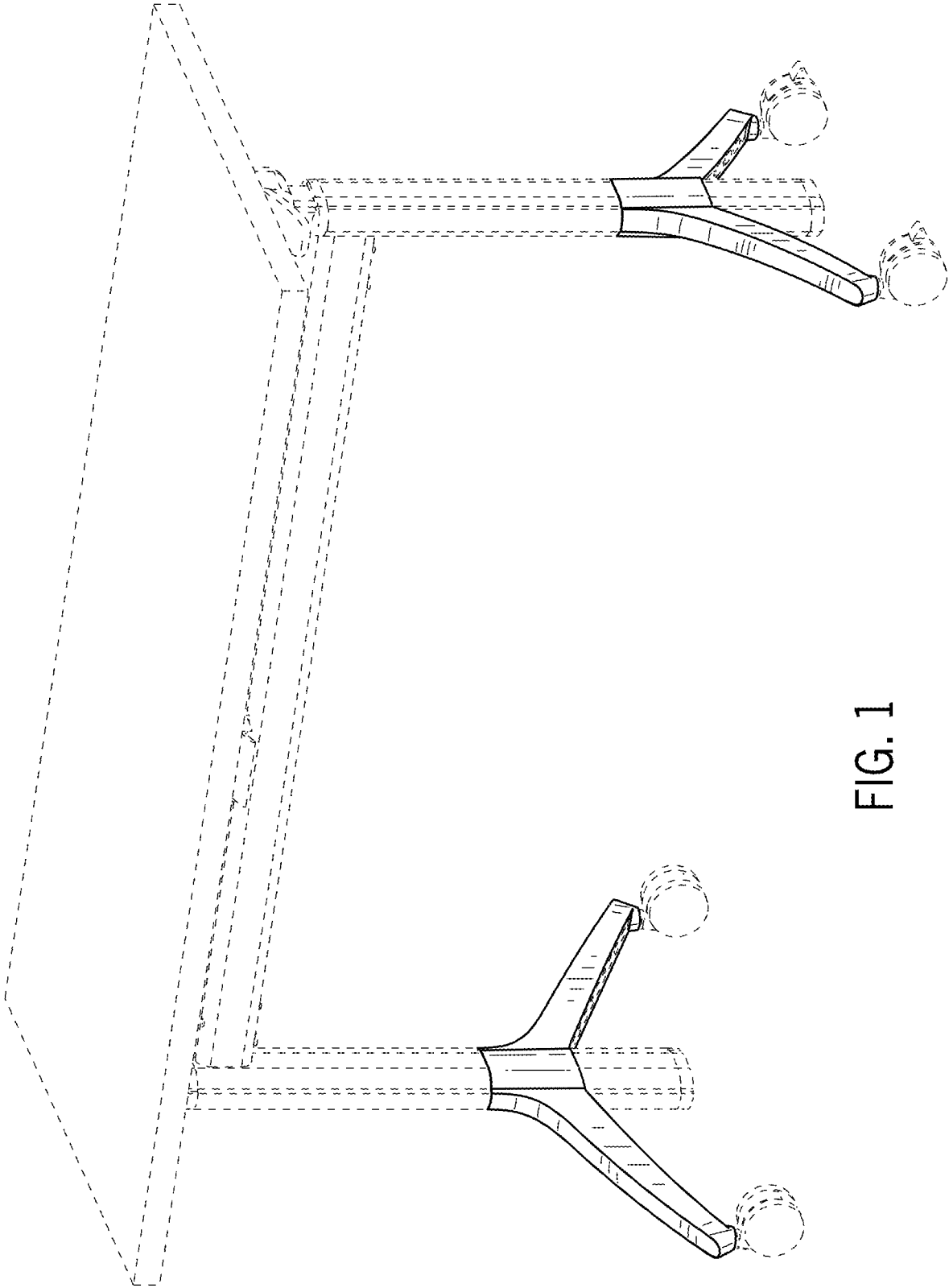


FIG. 1



FIG. 2

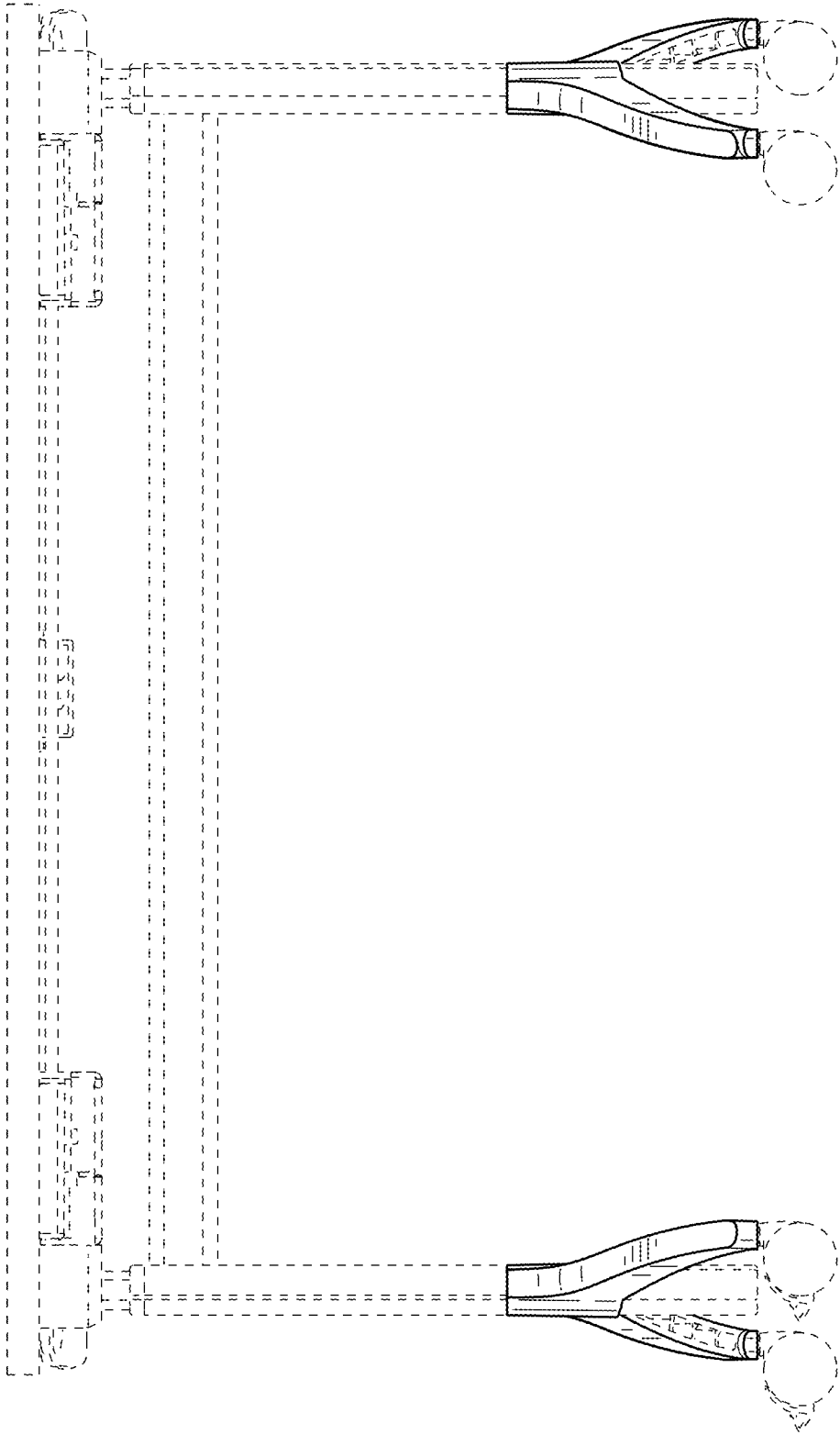


FIG. 3

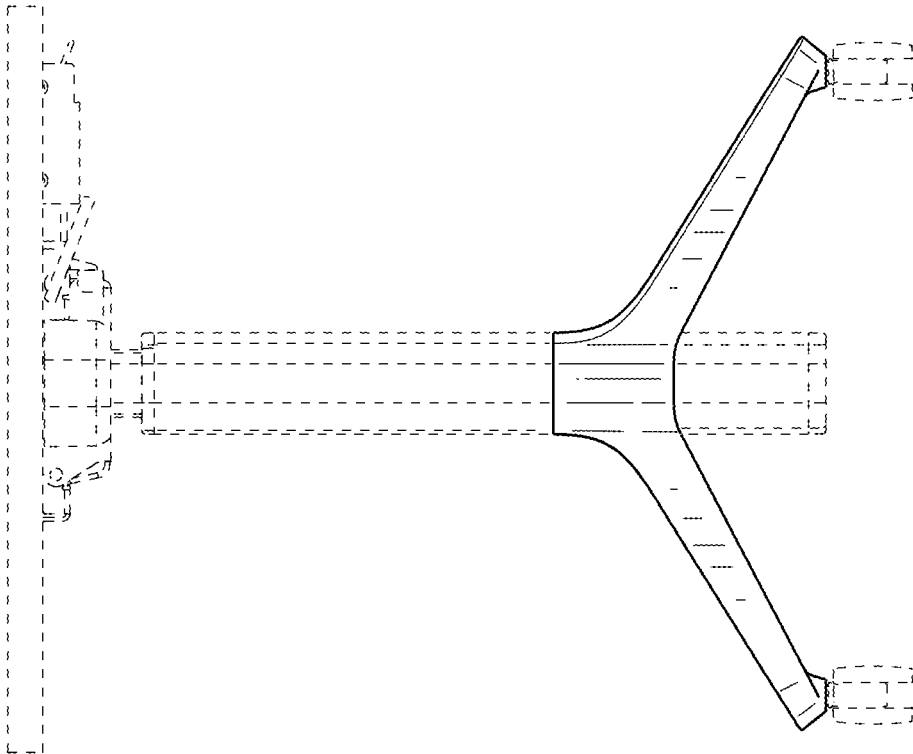


FIG. 5

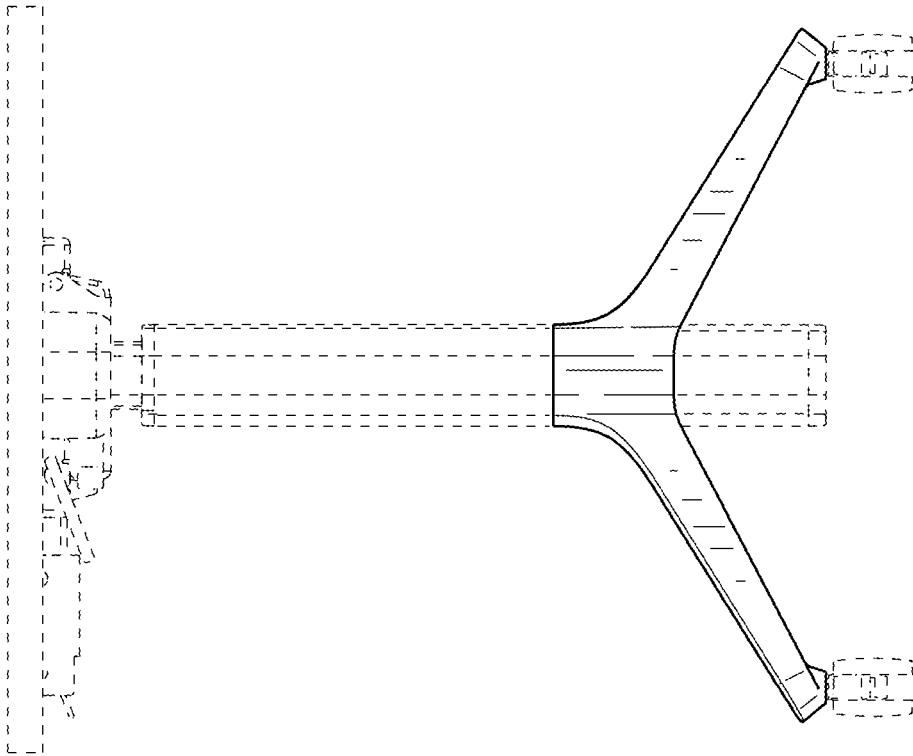


FIG. 4

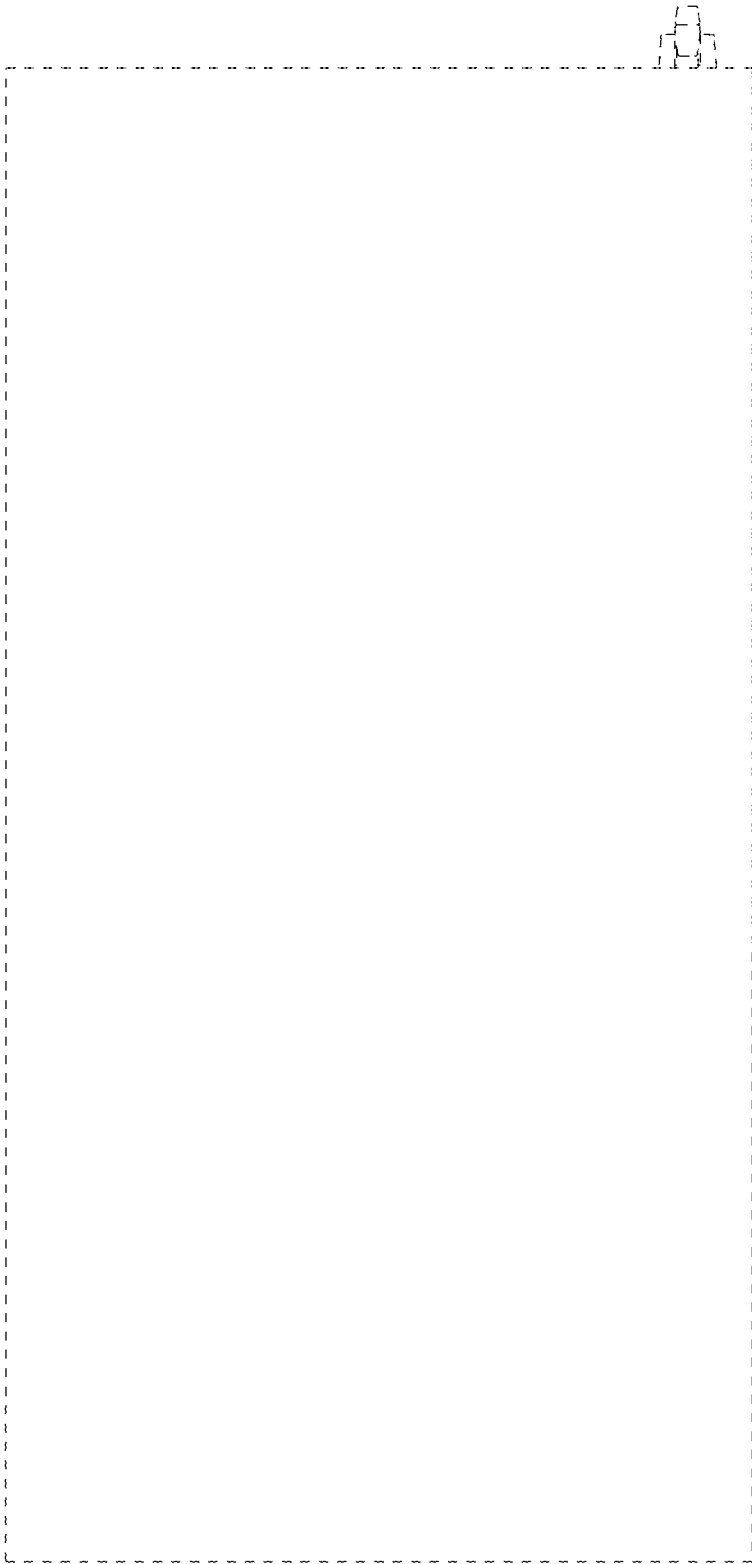


FIG. 6

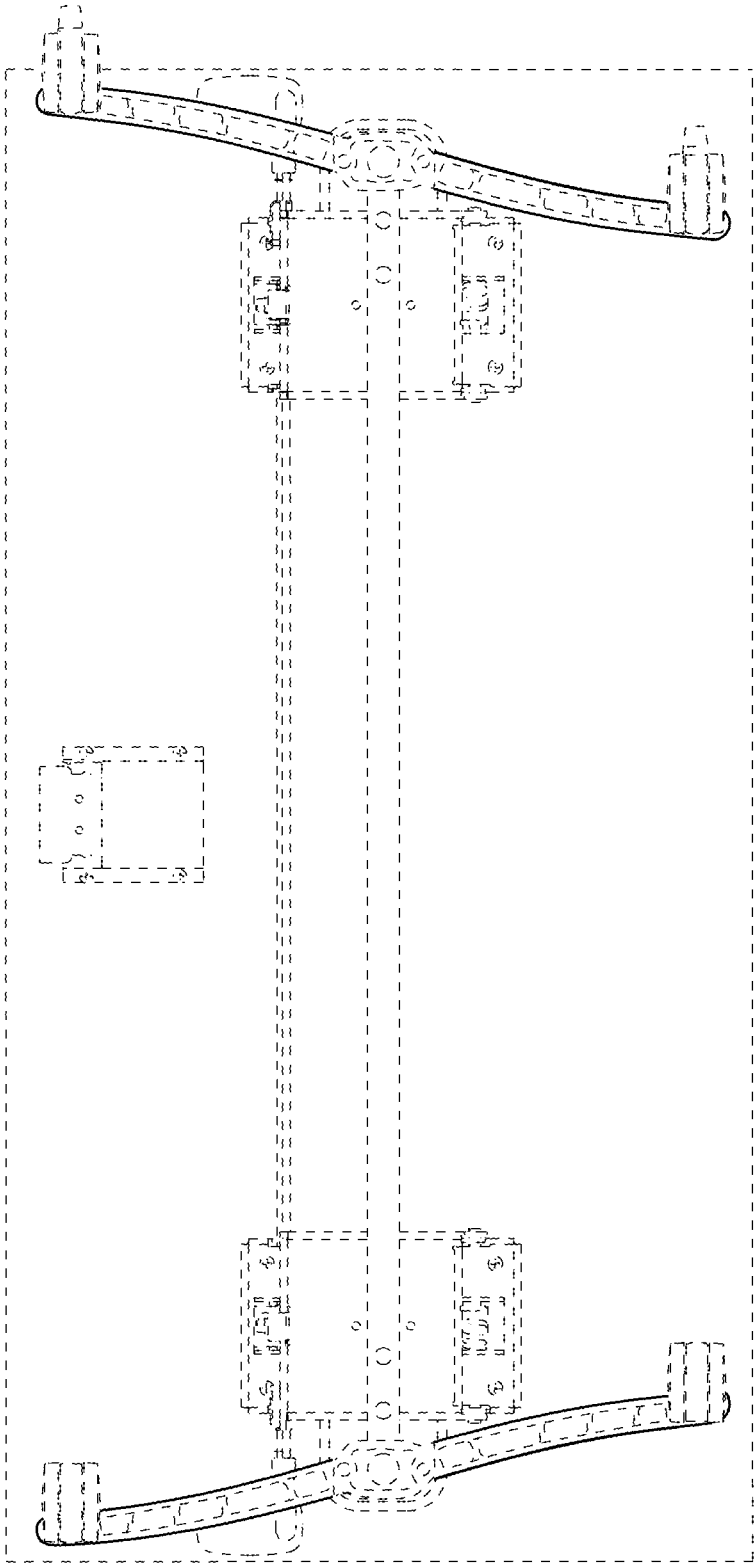


FIG. 7

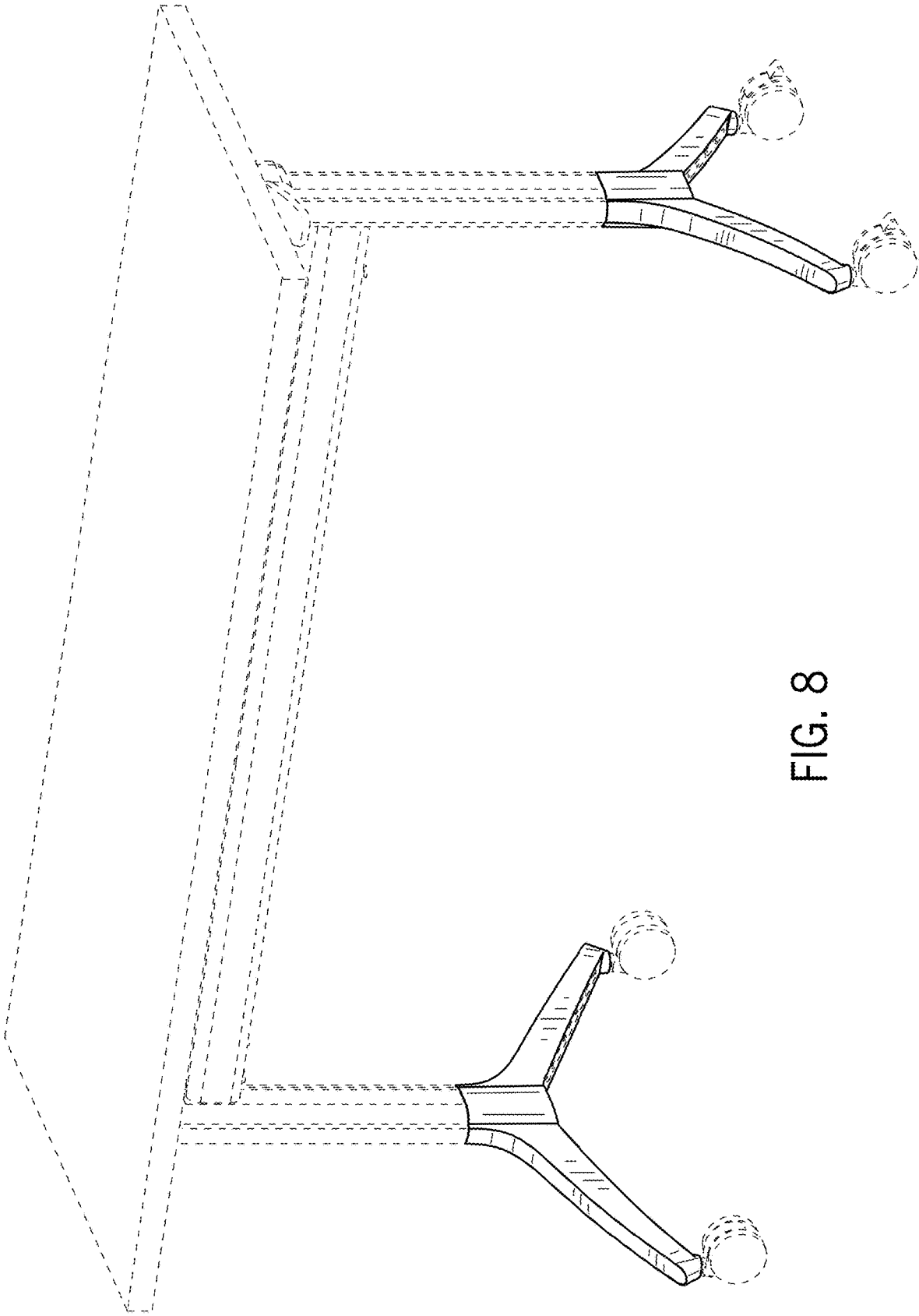


FIG. 8



FIG. 9

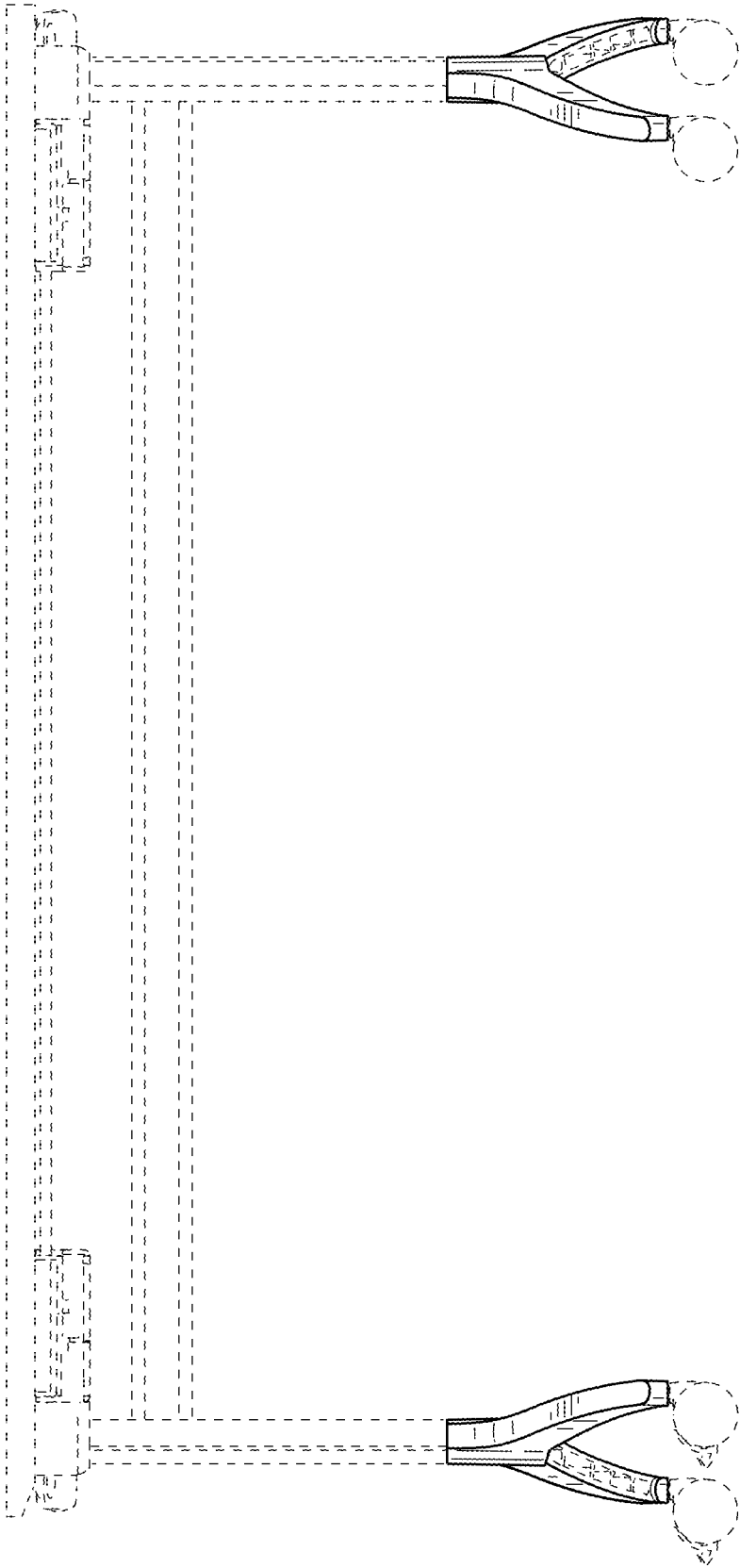


FIG. 10

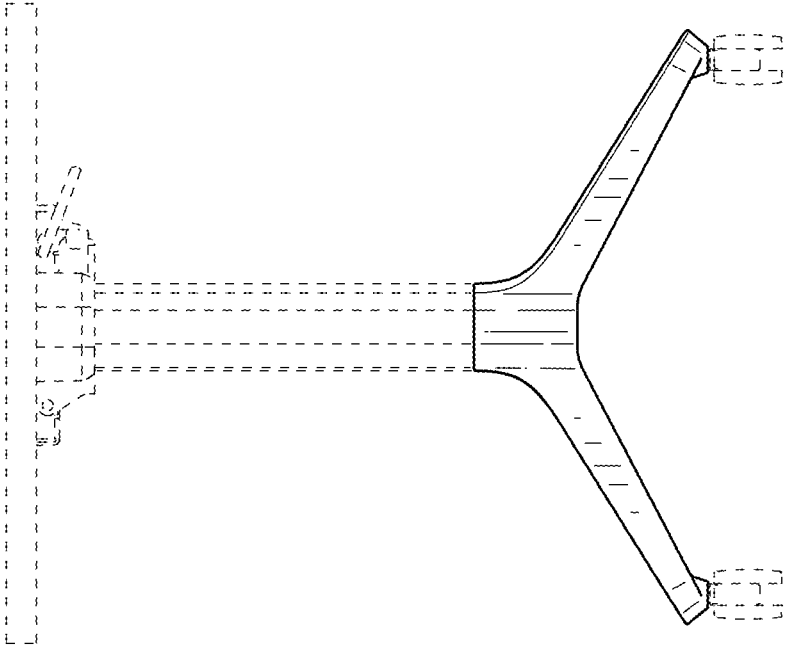


FIG. 11

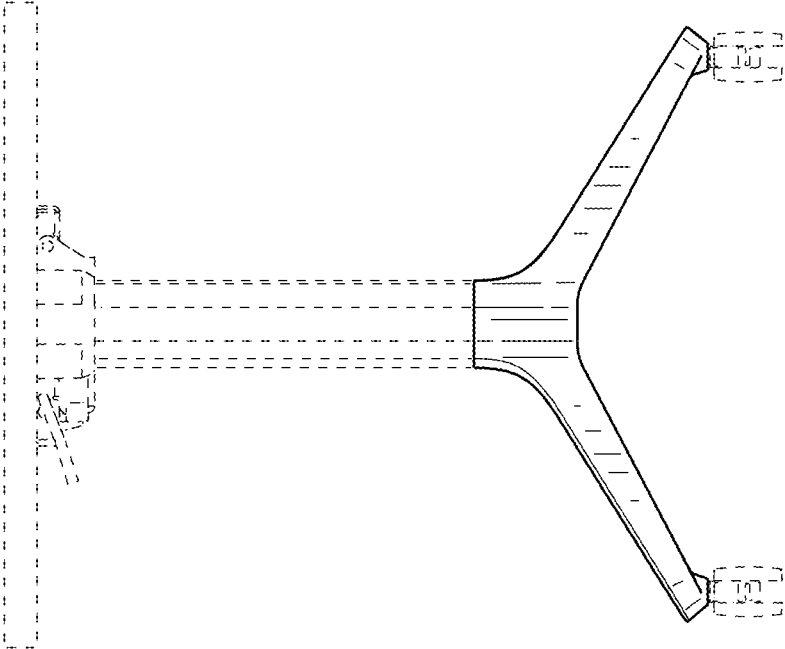


FIG. 12

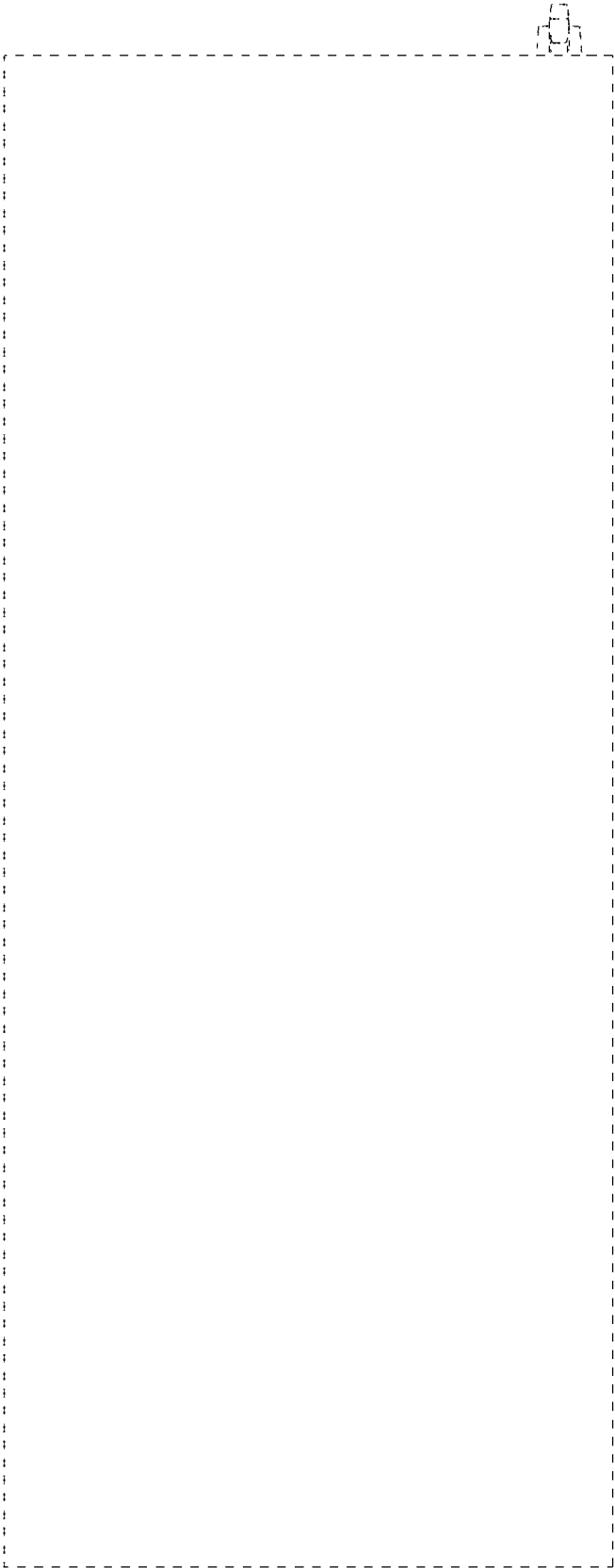


FIG. 13

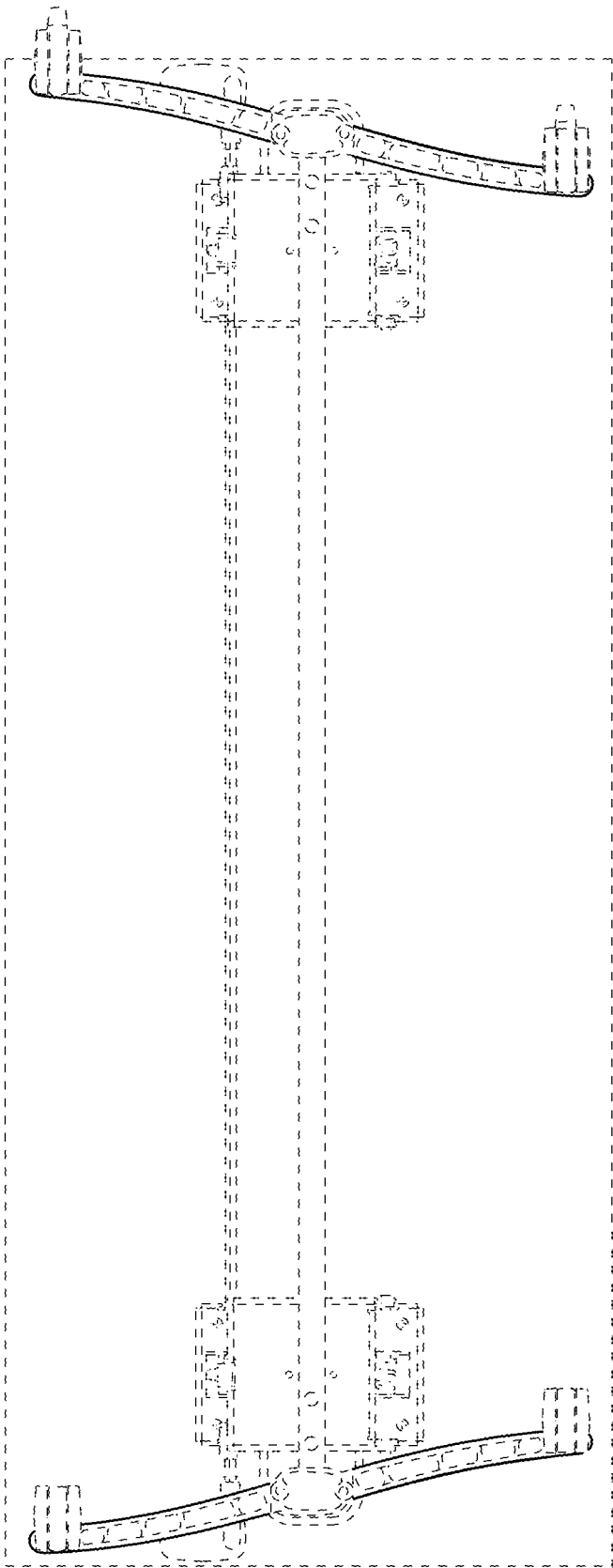


FIG. 14