



US00D716787S

(12) **United States Design Patent**
Takabatake

(10) **Patent No.:** **US D716,787 S**

(45) **Date of Patent:** **** Nov. 4, 2014**

(54) **SMART PHONE STAND WITH COMMUNICATION AND LAMP FUNCTION**

(71) Applicant: **PFU Limited**, Kahoku (JP)
(72) Inventor: **Masanari Takabatake**, Kahoku (JP)

(73) Assignee: **PFU Limited** (JP)

(**) Term: **14 Years**

(21) Appl. No.: **29/473,139**

(22) Filed: **Nov. 19, 2013**

(30) **Foreign Application Priority Data**

Oct. 31, 2013 (JP) 2013-025527

(51) **LOC (10) Cl.** **14-03**

(52) **U.S. Cl.**
USPC **D14/252**; D14/423

(58) **Field of Classification Search**
USPC D14/203.3–203.7, 209.1, 216, 217,
D14/224.1, 238.1, 243, 250–253, 302, 321,
D14/420–423, 434, 440, 447; 455/575.1;
320/114, 115; 150/165; 361/679.56,
361/679.3, 679.25; 379/426, 446, 455,
379/433.1; D13/107, 108, 144; D3/201,
D3/215, 218, 226, 269, 273, 301, 303;
D26/51, 52, 106, 107, 138

See application file for complete search history.

(56) **References Cited**

U.S. PATENT DOCUMENTS

D234,851 S * 4/1975 Tyson et al. D14/149
D245,520 S * 8/1977 Smith et al. D14/240
D301,632 S * 6/1989 Lohrentz D26/61
D308,730 S * 6/1990 Nakagawa D26/107
D409,992 S * 5/1999 Mockett D14/451
D518,480 S * 4/2006 Zheng et al. D14/307
D536,124 S 1/2007 Liao

D556,363 S * 11/2007 Komar et al. D26/106
D580,578 S * 11/2008 Chien D26/63
7,626,634 B2 * 12/2009 Ohki et al. 348/373
D636,927 S * 4/2011 Lin D26/138
D636,928 S * 4/2011 Lin D26/138
D667,042 S * 9/2012 Shen D16/232

(Continued)

FOREIGN PATENT DOCUMENTS

JP 45324 10/1988
JP 1478427 9/2013

OTHER PUBLICATIONS

Okamura Catalog 2011-2012, Jan. 2011, LED Stand Light
“LW6LED”, p. 232 (<http://www.okamura.co.jp/catalog/sougou2011-2012f/#page=241>).

Primary Examiner — Susan Bennett Hattan

Assistant Examiner — Janice Hallmark

(74) *Attorney, Agent, or Firm* — RatnerPrestia

(57) **CLAIM**

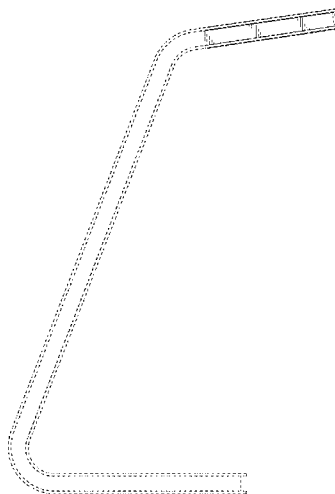
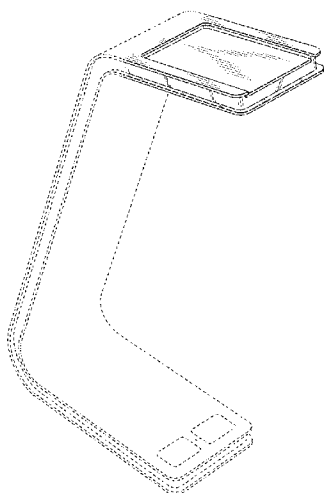
The ornamental design for a smart phone stand with communication and lamp function, as shown and described.

DESCRIPTION

FIG. 1 is a front perspective view of a smart phone stand with communication and lamp function showing my new design; FIG. 2 is a front view thereof; FIG. 3 is a rear view thereof; FIG. 4 is a left side view thereof; FIG. 5 is a right side view thereof; FIG. 6 is a top plan view thereof; FIG. 7 is a bottom plan view thereof; and, FIG. 8 is a perspective view showing the design in use.

The broken lines in the drawings depict environment and are for the purpose of illustrating unclaimed portions of the smart phone stand with communication and lamp function and form no part of the claimed design.

1 Claim, 6 Drawing Sheets



US D716,787 S

Page 2

(56)

References Cited

U.S. PATENT DOCUMENTS

D699,242 S *	2/2014	Hu	D14/423	
D700,607 S *	3/2014	Cederstrom	D14/420	
2007/0035655 A1 *	2/2007	Chen et al.	348/373	
D677,707 S *	3/2013	Shen	D16/232	
D692,012 S *	10/2013	Thorne et al.	D14/447	* cited by examiner

FIG. 1

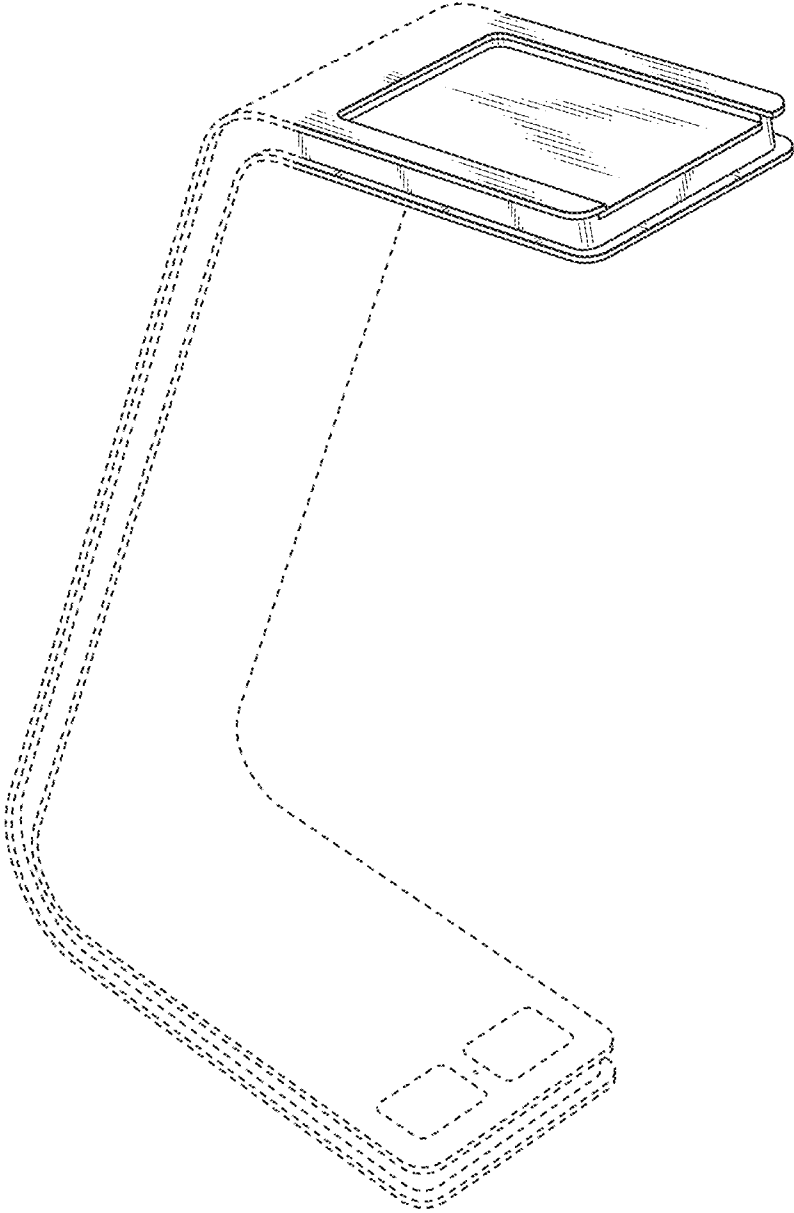


FIG. 2

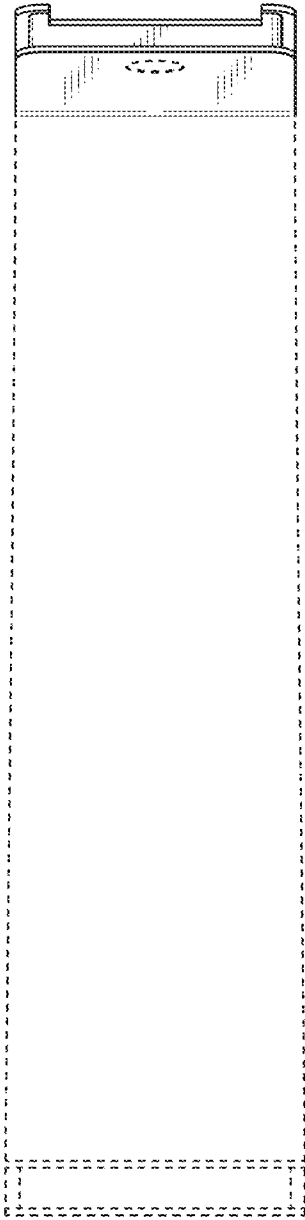


FIG. 3

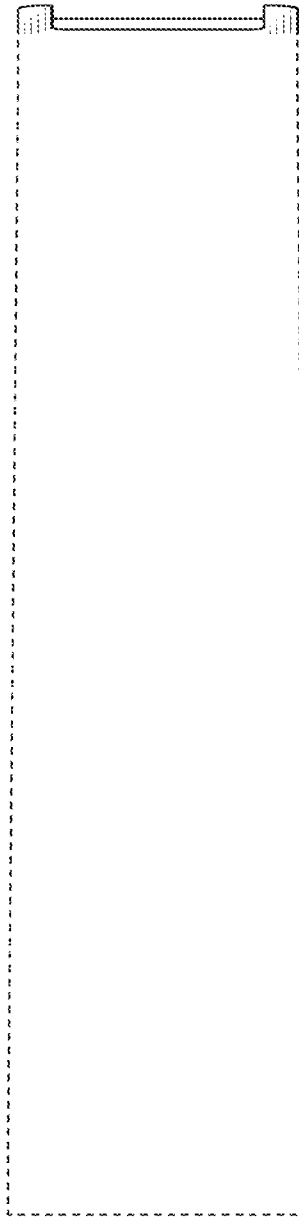


FIG. 4

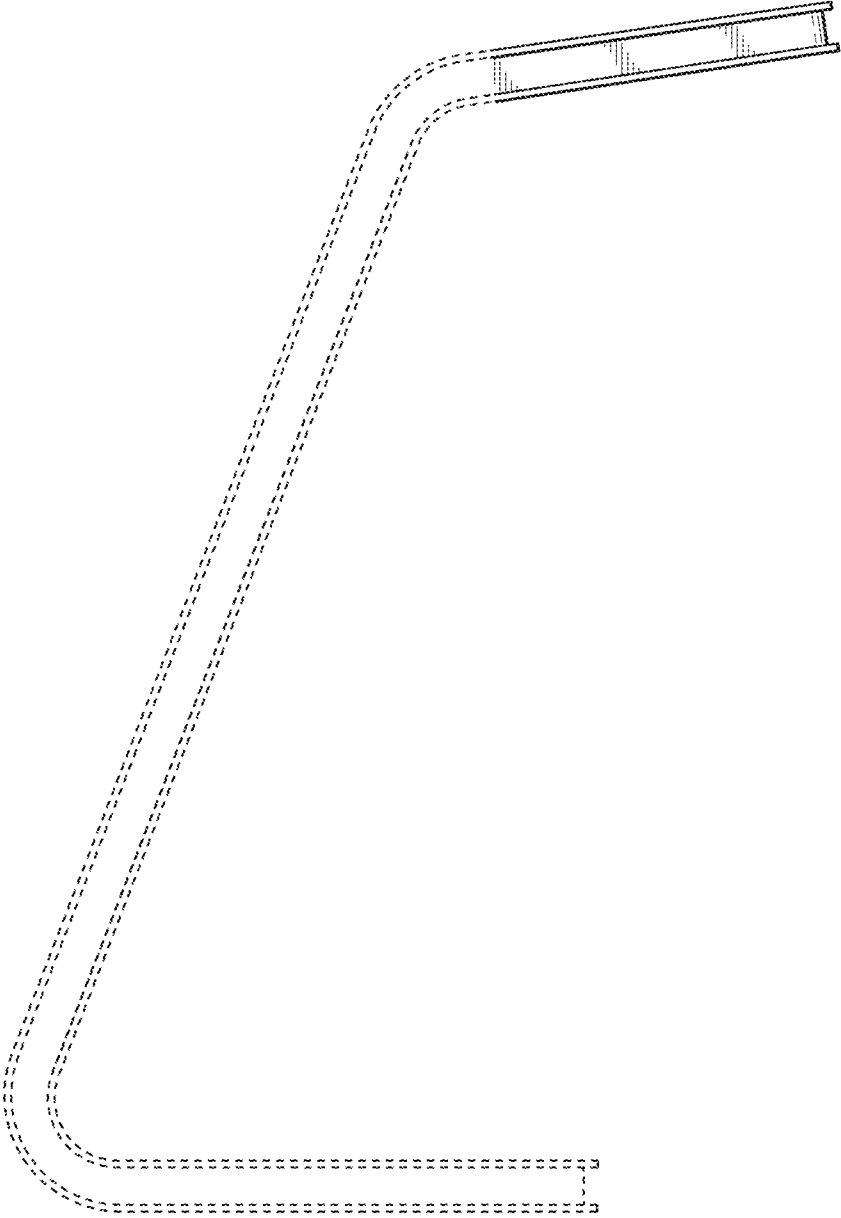


FIG. 5

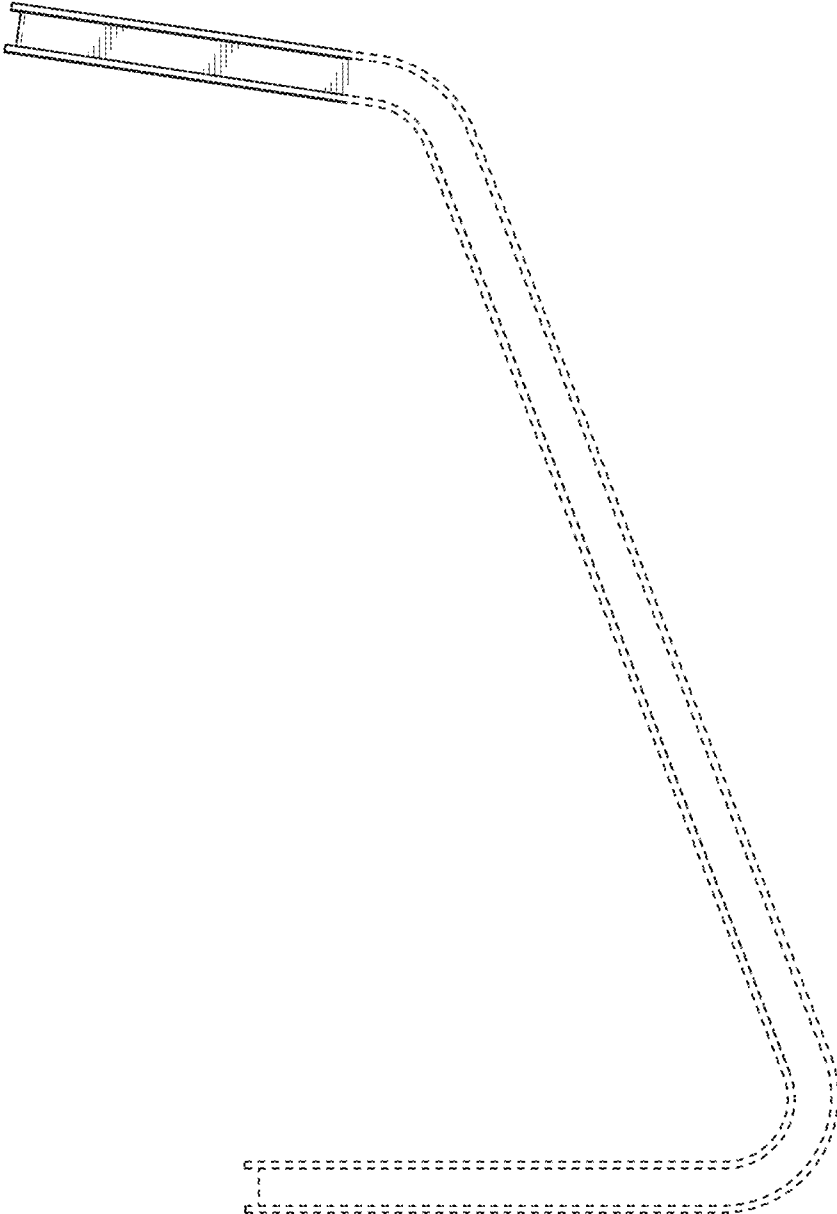


FIG. 6

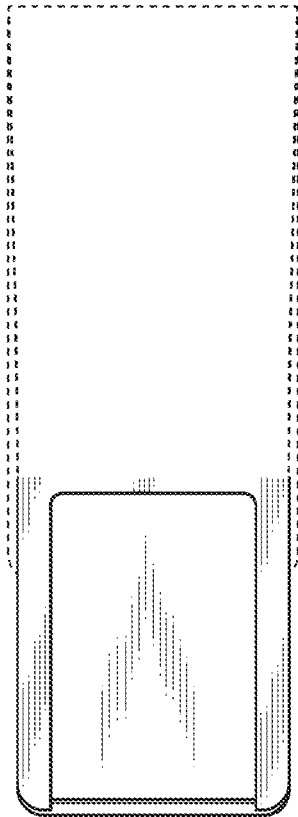


FIG. 7

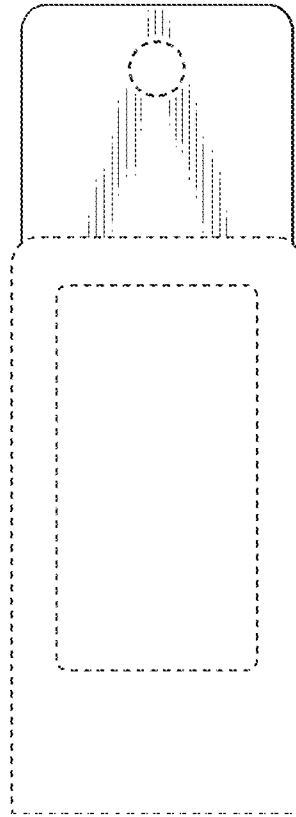


FIG. 8

