

[54] COOKING RACK

[75] Inventor: Walter Koziol, Antioch, Ill.

[73] Assignee: Moerke Display & Mfg. Co., Inc.,
Union Grove, Wis.

[**] Term: 14 Years

[21] Appl. No.: 163,935

[22] Filed: Mar. 3, 1988

[52] U.S. Cl. D7/409

[58] Field of Search D7/409; 126/337 R, 337 A;
99/426

| | | | |
|-----------|---------|------------------|-------------|
| 2,360,026 | 10/1944 | Wall | 126/337 R |
| 2,376,640 | 5/1945 | Wall et al. | 126/337 R X |
| 2,616,360 | 11/1952 | Thompson | 99/426 |
| 2,934,210 | 4/1960 | Jordan | 211/41 |
| 3,164,108 | 1/1965 | Romero | 108/28 |
| 3,224,357 | 12/1965 | Rubens | 99/259 |
| 3,962,961 | 6/1976 | Peters | 99/426 |
| 3,986,445 | 10/1976 | Hooton | 99/426 |
| 4,557,188 | 12/1985 | Spanek | 99/415 |
| 4,612,851 | 9/1986 | McManus | 99/419 |

Primary Examiner—Bruce W. Dunkins

Assistant Examiner—J. Seeger

Attorney, Agent, or Firm—Quarles & Brady

[56] References Cited

U.S. PATENT DOCUMENTS

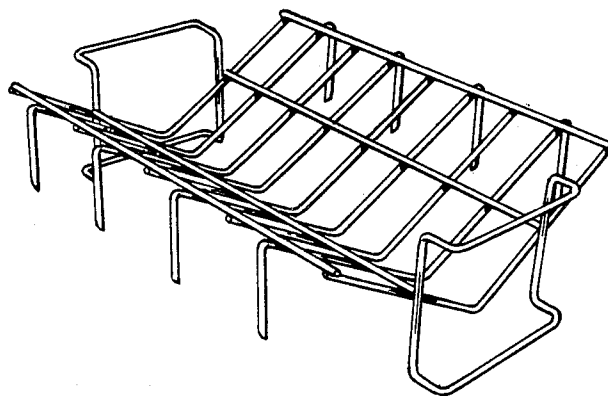
| | | | |
|------------|---------|-------------------|----------|
| D. 121,598 | 7/1940 | Post | D7/409 |
| D. 124,197 | 12/1940 | Lynch | D7/409 |
| D. 131,059 | 1/1942 | Lynch | D7/409 |
| D. 195,687 | 7/1963 | Petroff | D44/29 |
| D. 242,516 | 11/1976 | Burns et al. | D7/409 |
| D. 260,227 | 8/1981 | Bentson | D7/129 |
| 849,290 | 4/1907 | Vanderbilt . | |
| 1,969,601 | 8/1934 | Foch | 53/6 |
| 2,052,505 | 8/1936 | Vetrosky | 53/5 |
| 2,205,064 | 6/1940 | Irwin | 53/5 |
| 2,214,137 | 9/1940 | Irwin et al. | D7/409 X |

[57] CLAIM

The ornamental design for a cooking rack, as shown and described.

DESCRIPTION

FIG. 1 is a top perspective view of the cooking rack, showing my new design;
 FIG. 2 is a front elevational view thereof;
 FIG. 3 is a top plan view thereof;
 FIG. 4 is a side elevational view thereof;
 FIG. 5 is a bottom plan view thereof; and
 FIG. 6 is a view similar to FIG. 1 showing the cooking rack in an inverted position.



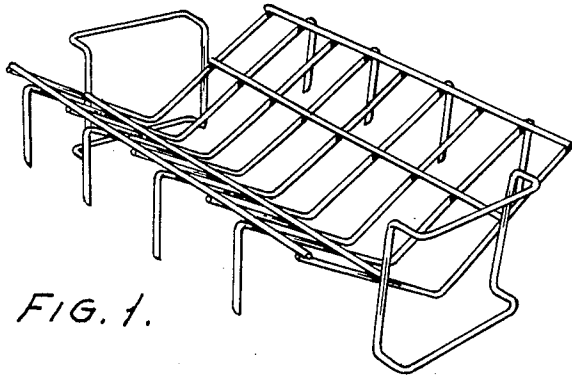


FIG. 1.

FIG. 2.

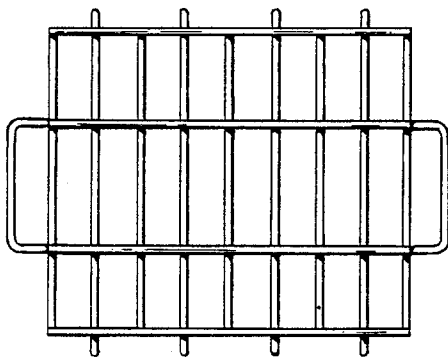
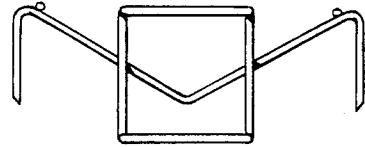


FIG. 3.

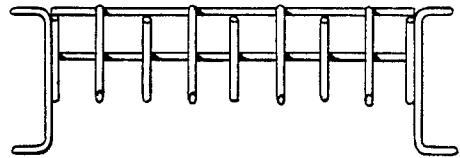


FIG. 4.

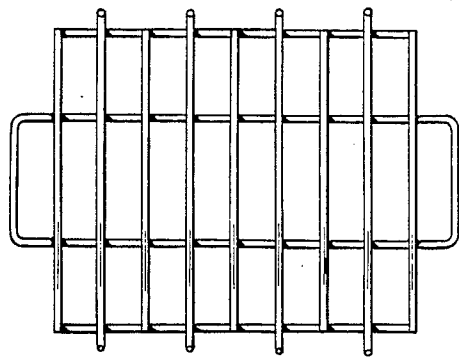


FIG. 5.

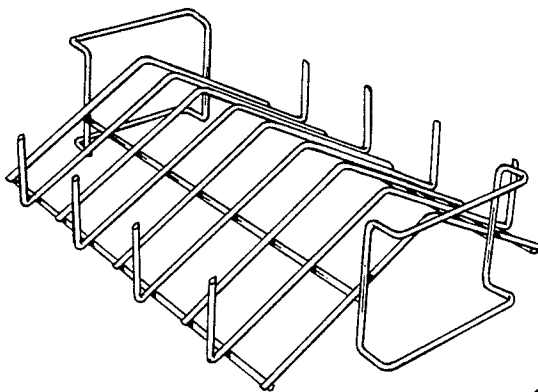


FIG. 6.