



US00D544722S

(12) **United States Design Patent**
Scheper et al.

(10) **Patent No.:** **US D544,722 S**
(45) **Date of Patent:** **** Jun. 19, 2007**

(54) **CHAIR**

(75) Inventors: **Robert Scheper**, Souffelweyersheim (FR); **Glen Oliver Loew**, Hamburg (DE)

(73) Assignee: **Steelcase Development Corporation**, Caledonia, MI (US)

(**) Term: **14 Years**

(21) Appl. No.: **29/214,446**

(22) Filed: **Oct. 1, 2004**

(30) **Foreign Application Priority Data**

Jun. 7, 2004 (EM) 191457

(51) **LOC (8) Cl.** **06-01**

(52) **U.S. Cl.** **D6/375**

(58) **Field of Classification Search** D6/375,
D6/334, 502, 498, 499; 297/411.27, 452.29,
297/451.4, 451.5, 451.6, 452.14, 448.2
See application file for complete search history.

(56) **References Cited**

U.S. PATENT DOCUMENTS

- 398,179 A 2/1889 Parry et al.
- 2,156,664 A 5/1939 Little, Jr.
- 2,731,076 A 1/1956 Rowland
- 2,803,293 A 8/1957 Rowland
- D199,671 S * 12/1964 Mulhauser, Jr. D6/498
- 3,744,846 A 7/1973 Platt et al.
- D228,483 S * 10/1973 Sebel D6/375
- D233,715 S * 11/1974 Fantoni D6/375
- D258,480 S * 3/1981 Rowland D6/375
- D258,924 S * 4/1981 Deschamps et al. D6/375
- D259,688 S * 6/1981 Ambasz D6/375
- D262,168 S * 12/1981 Lustig D6/375
- 4,309,058 A 1/1982 Barley
- 4,318,556 A 3/1982 Rowland
- 4,545,614 A 10/1985 Abu-Isa et al.
- D289,120 S * 4/1987 Chadwick et al. D6/502
- D339,244 S * 9/1993 Fahnstrom et al. D6/373
- D339,940 S * 10/1993 Balderi et al. D6/502

- D349,826 S * 8/1994 Homann D6/500
- 5,549,358 A 8/1996 Müller
- D390,026 S * 2/1998 Biecher D6/375
- 5,871,258 A 2/1999 Battey et al.
- 5,975,634 A 11/1999 Knoblock et al.
- 5,997,094 A * 12/1999 Cvek 297/452.15
- 6,056,367 A 5/2000 Hsiao

(Continued)

FOREIGN PATENT DOCUMENTS

DE 4126520 2/1993

(Continued)

OTHER PUBLICATIONS

Exhibit A is a print-out from a website "cgi-ebay.com" disclosing an antique chair by designer, Hans J. Wegner, having a back cushion supported by spaced-apart back uprights and apparently having strips extending therebetween.

Primary Examiner—Robert M. Spear

Assistant Examiner—Katrina A. Kile

(74) *Attorney, Agent, or Firm*—Price, Heneveld, Cooper, DeWitt & Litton LLP

(57) **CLAIM**

We claim the ornamental design for a chair, as shown and described.

DESCRIPTION

FIG. 1 is a top view of a chair showing our new design;

FIG. 2 is a front perspective view thereof;

FIG. 3 is a rear perspective view thereof;

FIG. 4 is a left side view thereof;

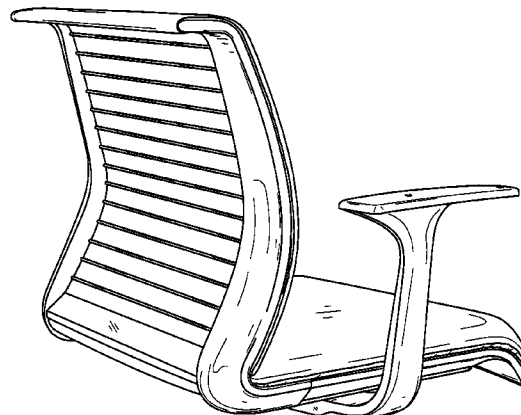
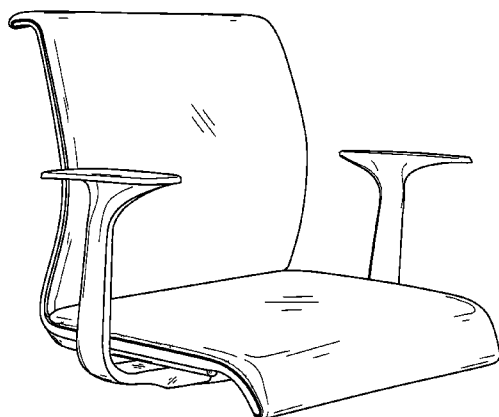
FIG. 5 is a front view thereof;

FIG. 6 is a rear view thereof; and,

FIG. 7 is a bottom view thereof.

The dashed lines in FIG. 7 are to show environment, and form no part of the claimed design.

1 Claim, 7 Drawing Sheets



US D544,722 S

Page 2

U.S. PATENT DOCUMENTS

6,074,013	A	6/2000	Hsiao	
6,086,153	A	7/2000	Heidmann et al.	
6,116,695	A	9/2000	Heidmann et al.	
6,148,979	A	11/2000	Roach et al.	
D436,456	S	1/2001	Neil	
6,179,384	B1	1/2001	DeKraker et al.	
D449,174	S	10/2001	Neil	
6,386,634	B1	5/2002	Stumpf et al.	
6,394,548	B1	5/2002	Batthey et al.	
6,508,509	B2	1/2003	Peterson	
6,523,898	B1	2/2003	Ball et al.	
6,957,860	B1 *	10/2005	Leist et al.	297/239

EP	1044634	10/2000
EP	1059051	12/2000
EP	1192880	4/2002
EP	1287765	3/2003
FR	1253004	12/1960
JP	2003079471	3/2003
JP	2003079472	3/2003
JP	2003079474	3/2003
JP	2003079476	3/2003
JP	2003079478	3/2003
JP	2003079479	3/2003
JP	2003079481	3/2003
JP	2003079487	3/2003
JP	2003081322	3/2003
WO	9103968	4/1991
WO	9921456	5/1999
WO	9941103	8/1999
WO	0022960	4/2000
WO	0078185	12/2000

FOREIGN PATENT DOCUMENTS

DE	29811414	12/1998
DE	20112351	1/2002
EP	0284272	9/1988
EP	836819	4/1998
EP	0839478	5/1998
EP	0949875	10/1999

* cited by examiner

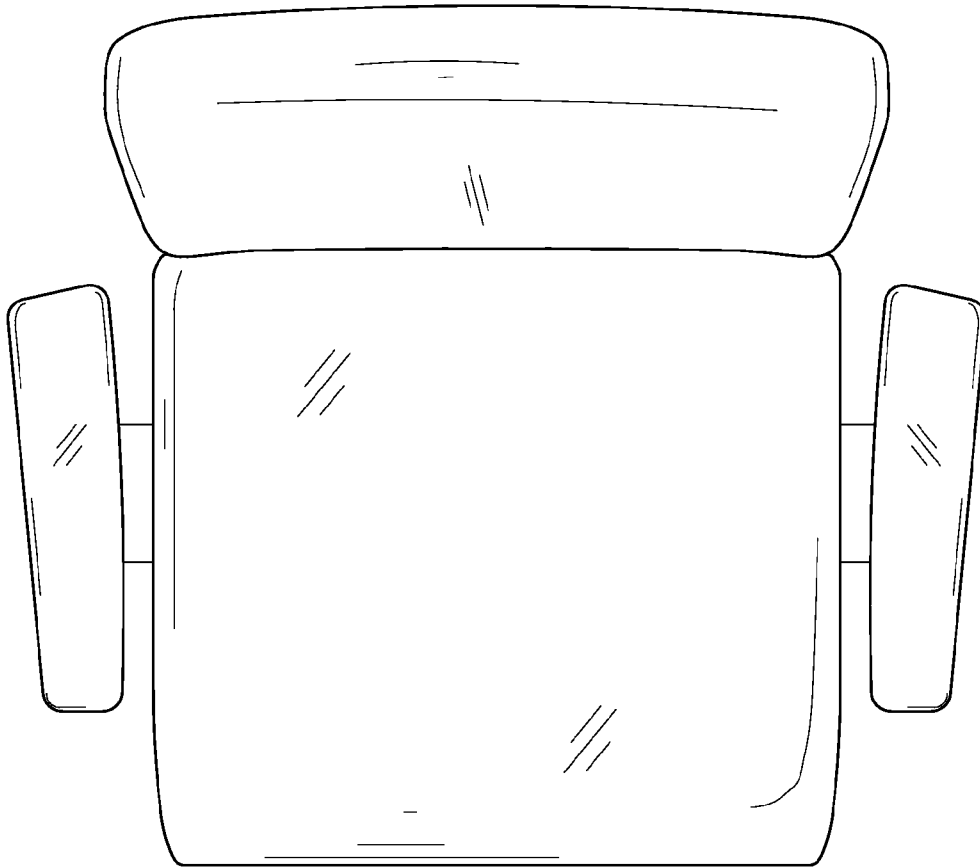


Fig. 1

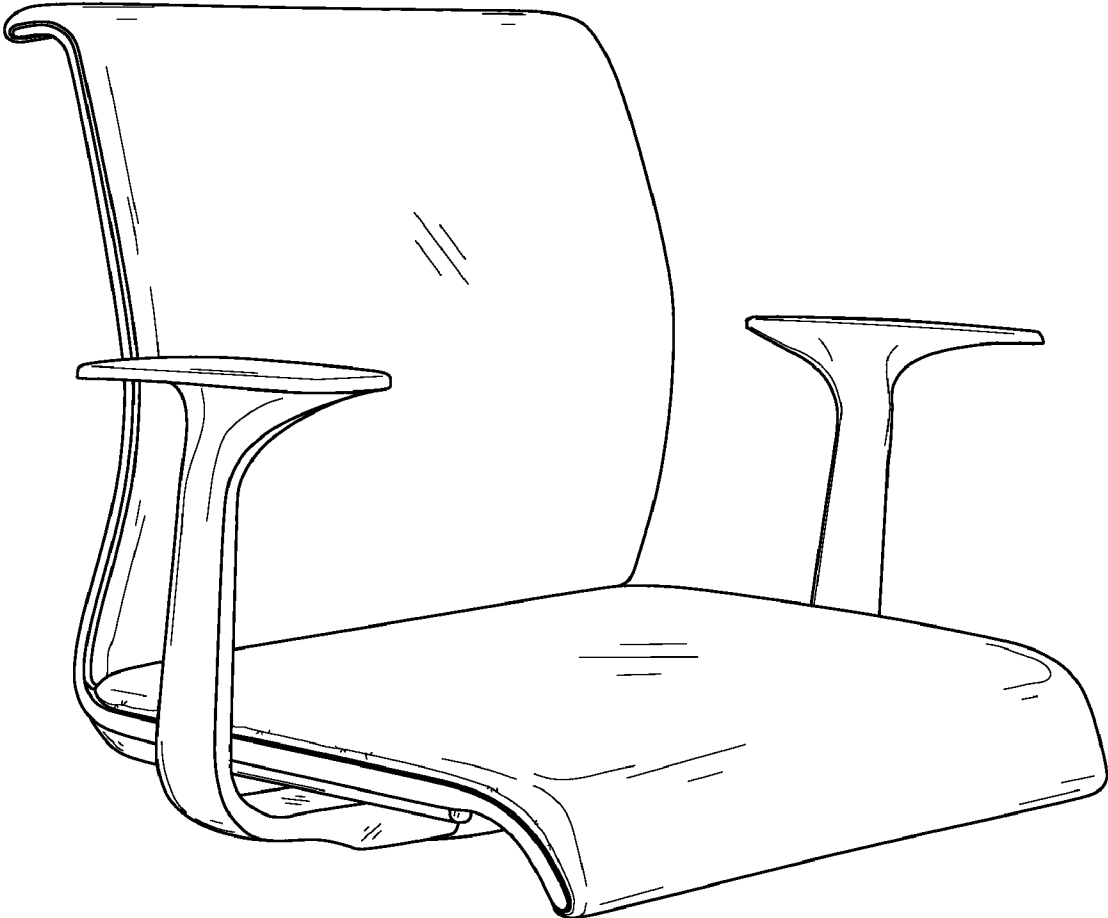


Fig. 2

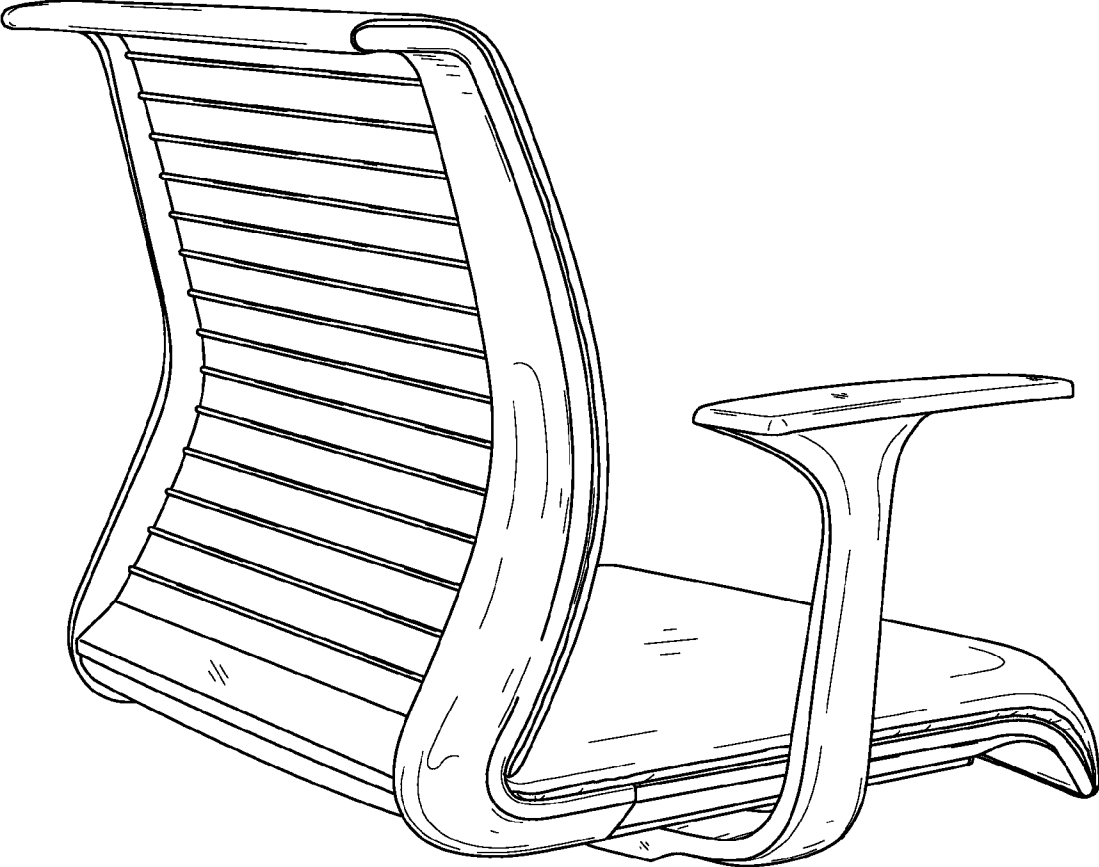


Fig. 3

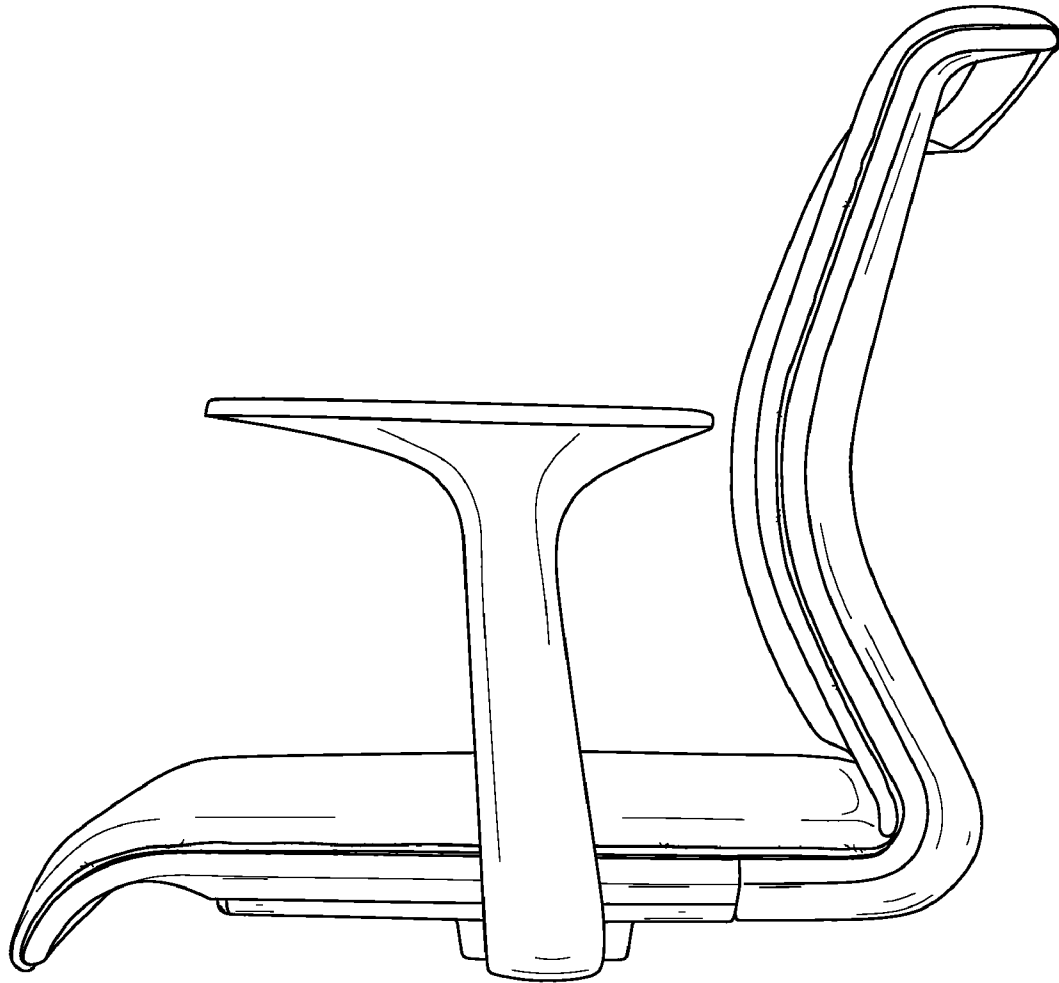


Fig. 4

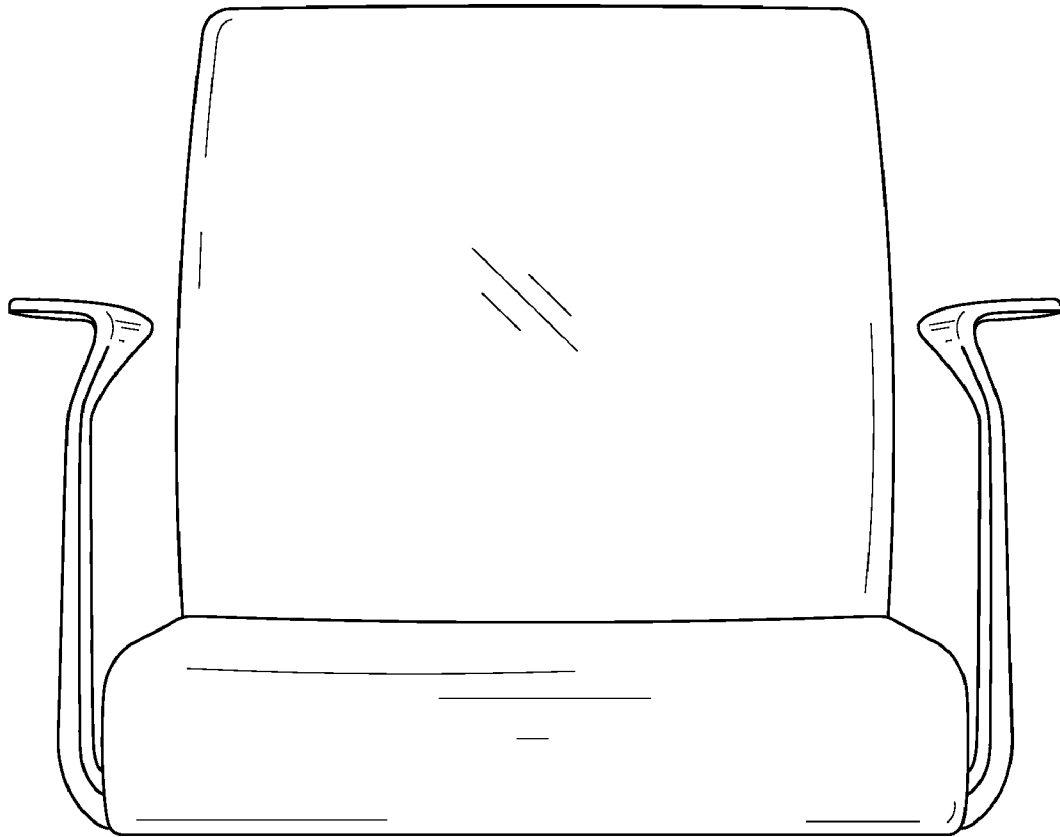


Fig. 5

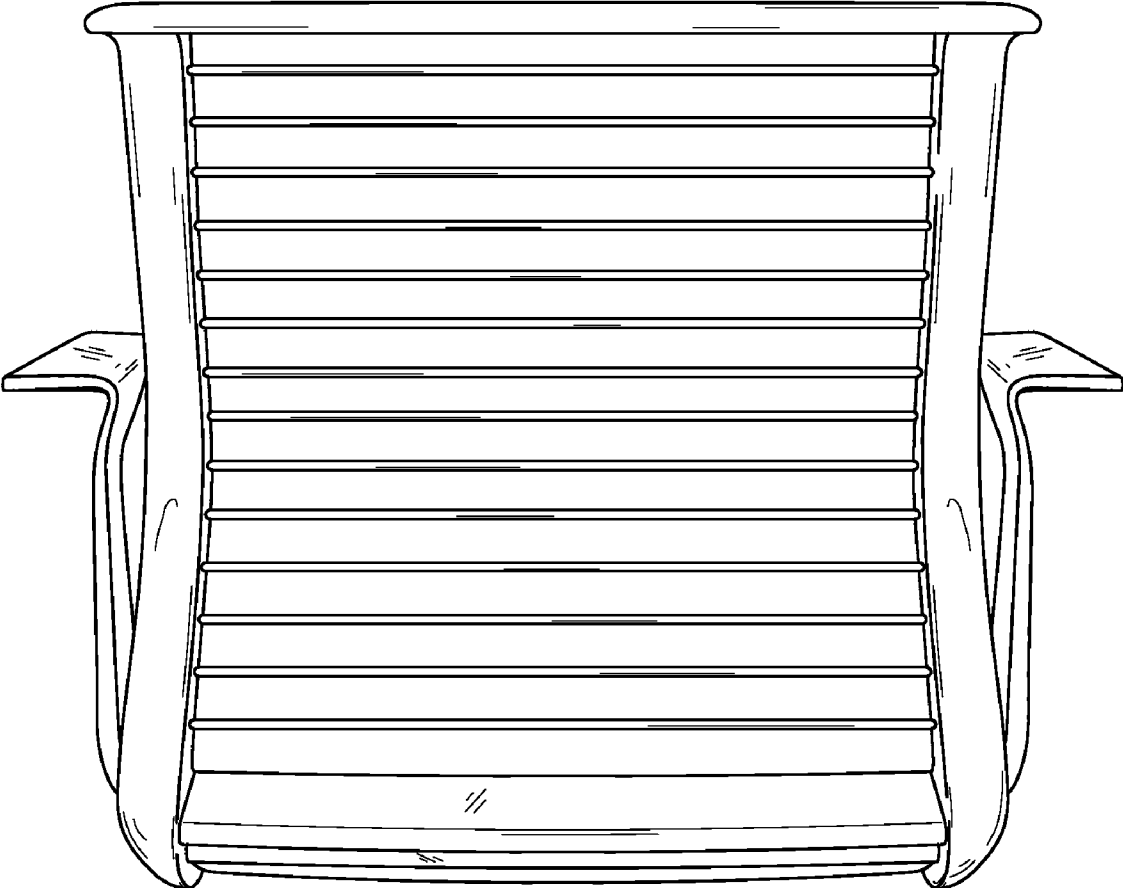


Fig. 6

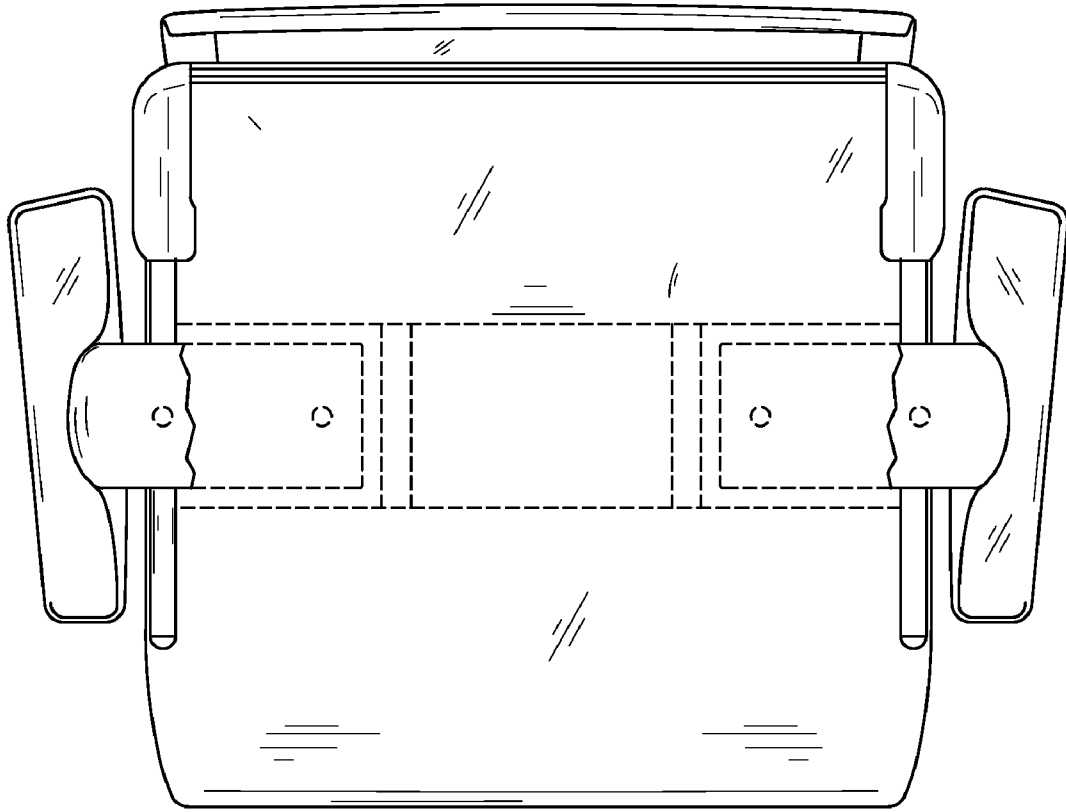


Fig. 7