

(19) World Intellectual Property Organization
International Bureau



(43) International Publication Date
25 October 2001 (25.10.2001)

PCT

(10) International Publication Number
WO 01/80543 A3

(51) International Patent Classification⁷: H04M 11/06,
H04L 12/40

(21) International Application Number: PCT/IL01/00302

(22) International Filing Date: 3 April 2001 (03.04.2001)

(25) Filing Language: English

(26) Publication Language: English

(30) Priority Data:
09/552,564 19 April 2000 (19.04.2000) US

(71) Applicant (for all designated States except US): SER-
CONET LTD. [IL/IL]; Ha'Haroshet Street 16, P.O. Box
2009, 43657 Raanana (IL).

(72) Inventor; and

(75) Inventor/Applicant (for US only): BINDER, Yehuda
[IL/IL]; Yeshurun St. 30, 45200 Hod HaSharon (IL).

(74) Agent: REINHOLD COHN AND PARTNERS; P.O.
Box 4060, 61040 Tel Aviv (IL).

(81) Designated States (national): AE, AG, AL, AM, AT, AU,
AZ, BA, BB, BG, BR, BY, BZ, CA, CH, CN, CO, CR, CU,
CZ, DE, DK, DM, DZ, EE, ES, FI, GB, GD, GE, GH, GM,
HR, HU, ID, IL, IN, IS, JP, KE, KG, KP, KR, KZ, LC, LK,
LR, LS, LT, LU, LV, MA, MD, MG, MK, MN, MW, MX,
MZ, NO, NZ, PL, PT, RO, RU, SD, SE, SG, SI, SK, SL,
TJ, TM, TR, TT, TZ, UA, UG, US, UZ, VN, YU, ZA, ZW.

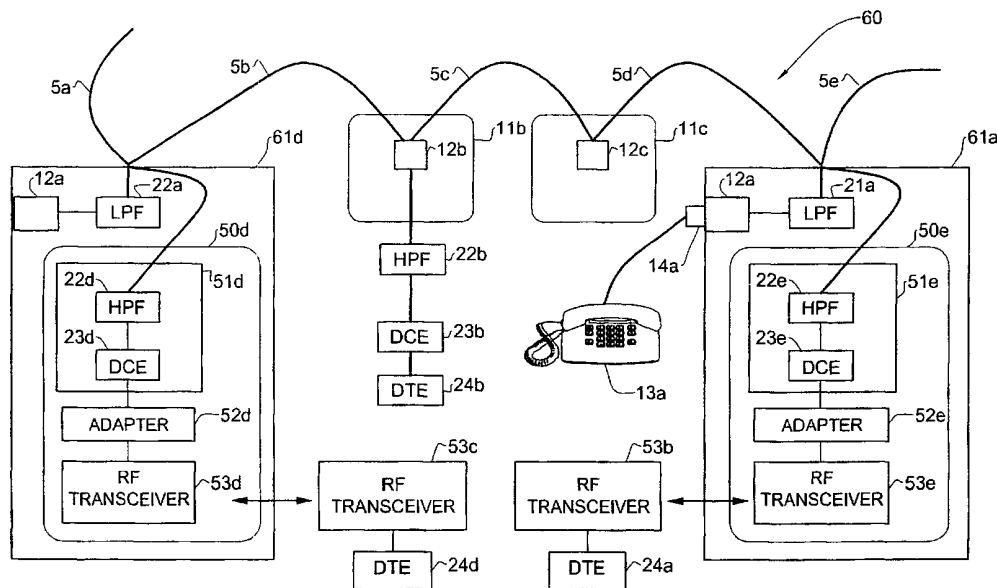
(84) Designated States (regional): ARIPO patent (GH, GM,
KE, LS, MW, MZ, SD, SL, SZ, TZ, UG, ZW), Eurasian
patent (AM, AZ, BY, KG, KZ, MD, RU, TJ, TM), European
patent (AT, BE, CH, CY, DE, DK, ES, FI, FR, GB, GR, IE,
IT, LU, MC, NL, PT, SE, TR), OAPI patent (BF, BJ, CF,
CG, CI, CM, GA, GN, GW, ML, MR, NE, SN, TD, TG).

Published:
— with international search report

(84) Date of publication of the international search report:
25 April 2002

For two-letter codes and other abbreviations, refer to the "Guid-
ance Notes on Codes and Abbreviations" appearing at the begin-
ning of each regular issue of the PCT Gazette.

(54) Title: NETWORK COMBINING WIRED AND NON-WIRED SEGMENTS



(57) Abstract: A local area network (60) within a residence or other building, including both wired (5) and non-wired segments (53). The wired segments are based on new or existing wires (5a, 5b, 5c, 5d, 5e) in the building, wherein access to the wires is provided by means of outlets (61a, 61d), such as a telephone system, electrical power distribution system, or cable television wiring system. The non-wired segments are based on communication using propagated waves such as radio, sound, or light (e.g. infrared). The wired and non-wired segments interface in the outlet, using a module (50) that serves as mediator between the segments. The module can be integrated into the outlet, partially housed in the outlet, or attached externally to the outlet. Such a network allows for integrated communication of data units (24b) connected by wires and data units (24a, 24d) connected without wires.



WO 01/80543 A3

INTERNATIONAL SEARCH REPORT

International Application No
PCT/IL 01/00302

A. CLASSIFICATION OF SUBJECT MATTER
IPC 7 H04M11/06 H04L12/40

According to International Patent Classification (IPC) or to both national classification and IPC

B. FIELDS SEARCHED
Minimum documentation searched (classification system followed by classification symbols)
IPC 7 H04L H04M

Documentation searched other than minimum documentation to the extent that such documents are included in the fields searched

Electronic data base consulted during the international search (name of data base and, where practical, search terms used)
EPO-Internal, WPI Data, PAJ, IBM-TDB, INSPEC

C. DOCUMENTS CONSIDERED TO BE RELEVANT		
Category *	Citation of document, with indication, where appropriate, of the relevant passages	Relevant to claim No.
X	EP 0 798 923 A (INLINE CONNECTION CORP) 1 October 1997 (1997-10-01)	1-4, 9-11, 16-24, 27-31, 34-37
Y	column 8, line 56 -column 10, line 3 column 17, line 13 -column 18, line 54 column 22, line 47 - line 53 column 23, line 35 -column 24, line 35 column 26, line 1 - line 8	5-8, 25, 26, 32, 33 12-15
A	--- -/--	

Further documents are listed in the continuation of box C. Patent family members are listed in annex.

* Special categories of cited documents :

<p>*A* document defining the general state of the art which is not considered to be of particular relevance</p> <p>*E* earlier document but published on or after the international filing date</p> <p>*L* document which may throw doubts on priority claim(s) or which is cited to establish the publication date of another citation or other special reason (as specified)</p> <p>*O* document referring to an oral disclosure, use, exhibition or other means</p> <p>*P* document published prior to the international filing date but later than the priority date claimed</p>	<p>*T* later document published after the international filing date or priority date and not in conflict with the application but cited to understand the principle or theory underlying the invention</p> <p>*X* document of particular relevance; the claimed invention cannot be considered novel or cannot be considered to involve an inventive step when the document is taken alone</p> <p>*Y* document of particular relevance; the claimed invention cannot be considered to involve an inventive step when the document is combined with one or more other such documents, such combination being obvious to a person skilled in the art.</p> <p>*&* document member of the same patent family</p>
--	--

Date of the actual completion of the international search 15 January 2002	Date of mailing of the international search report 22/01/2002
---	---

Name and mailing address of the ISA European Patent Office, P.B. 5818 Patentlaan 2 NL - 2280 HV Rijswijk Tel. (+31-70) 340-2040. Tx. 31 651 epo nl. Fax: (+31-70) 340-3016	Authorized officer Vercauteren, S
--	---

INTERNATIONAL SEARCH REPORT

International Application No

PCT/IL 01/00302

C.(Continuation) DOCUMENTS CONSIDERED TO BE RELEVANT

Category	Citation of document, with indication, where appropriate, of the relevant passages	Relevant to claim No.
Y A	US 4 509 211 A (ROBBINS M S) 2 April 1985 (1985-04-02) the whole document	5-8, 25, 26, 32, 33
A	----- WO 99 25098 A (AMERITECH CORP) 20 May 1999 (1999-05-20) page 6, line 23 -page 7, line 10 page 8, line 15 -page 9, line 4 -----	1-37

INTERNATIONAL SEARCH REPORT

Information on patent family members

International Application No

PCT/IL 01/00302

Patent document cited in search report		Publication date	Patent family member(s)	Publication date
EP 0798923	A	01-10-1997	US 5010399 A	23-04-1991
			EP 0798923 A2	01-10-1997
			CA 2020841 A1	15-01-1991
			DE 69032075 D1	09-04-1998
			DE 69032075 T2	08-10-1998
			DE 69033638 D1	02-11-2000
			DE 69033638 T2	03-05-2001
			EP 0408236 A2	16-01-1991
			US 6185284 B1	06-02-2001
			US 6181783 B1	30-01-2001
			US 6236718 B1	22-05-2001
			US 5929896 A	27-07-1999
			US 5844596 A	01-12-1998
			US 5949473 A	07-09-1999
US 2001028704 A1	11-10-2001			
US 4509211	A	02-04-1985	CA 1200024 A1	28-01-1986
			GB 2140182 A ,B	21-11-1984
			HK 22487 A	20-03-1987
			JP 59215137 A	05-12-1984
WO 9925098	A	20-05-1999	US 6141356 A	31-10-2000
			AU 1366899 A	31-05-1999
			EP 1031211 A1	30-08-2000
			WO 9925098 A1	20-05-1999