



US00D632513S

(12) **United States Design Patent**
Cittadino

(10) **Patent No.:** **US D632,513 S**

(45) **Date of Patent:** **** Feb. 15, 2011**

(54) **SHOWER CADDY**

(75) Inventor: **Kyle Cittadino**, Howell, NJ (US)

(73) Assignee: **Zenith Products Corp.**, New Castle, DE (US)

(**) Term: **14 Years**

(21) Appl. No.: **29/368,343**

(22) Filed: **Aug. 23, 2010**

(51) **LOC (9) Cl.** **23-02**

(52) **U.S. Cl.** **D6/525**

(58) **Field of Classification Search** D6/524,
D6/525, 566, 536, 540; 211/13.1, 74, 71.01,
211/86.01, 75, 88.01, 90.01, 90.03, 106,
211/119, 126.1, 133.5, 181.1, 134

See application file for complete search history.

(56) **References Cited**

U.S. PATENT DOCUMENTS

D394,771 S	6/1998	Hofman	
D395,773 S	7/1998	Hofman	
D395,971 S	7/1998	Hofman	
D396,157 S	7/1998	Hofman	
D473,084 S	4/2003	Suero, Jr.	
D513,373 S	1/2006	Harwanko	
D562,608 S	2/2008	Kramer	
D562,609 S	2/2008	Kramer	
D566,439 S *	4/2008	Dretzka D6/525
D568,656 S	5/2008	Kramer	
D569,149 S	5/2008	Walker	
D569,668 S	5/2008	Kramer	

D572,061 S *	7/2008	Snider D6/525
D575,087 S *	8/2008	Ghiorghie D6/525
D603,198 S *	11/2009	Guindi D6/525
D615,333 S *	5/2010	Snell D6/525

OTHER PUBLICATIONS

<http://www.amazon.com/Aquatico-Wave-Style-Shower-Caddy-Chrome/dp/B00141YJA6>; web page printout date: Sep. 20, 2010; original web posting date and product availability date: unknown.

* cited by examiner

Primary Examiner—Brian N Vinson

(74) *Attorney, Agent, or Firm*—Panitch Schwarze Belisario & Nadel LLP

(57) **CLAIM**

The ornamental design for a shower caddy, as shown and described.

DESCRIPTION

FIG. 1 is a front perspective view of a shower caddy in accordance with my new design;

FIG. 2 is a front elevational view thereof;

FIG. 3 is a rear elevational view thereof;

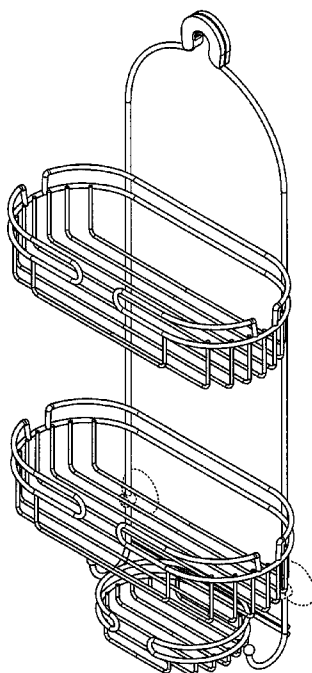
FIG. 4 is a left side elevational view thereof, a right side elevational view being a mirror image thereof;

FIG. 5 is a top plan view thereof; and,

FIG. 6 is a bottom plan view thereof.

The broken lines in the figures are for illustrative purposes only and form no part of the claimed design.

1 Claim, 5 Drawing Sheets



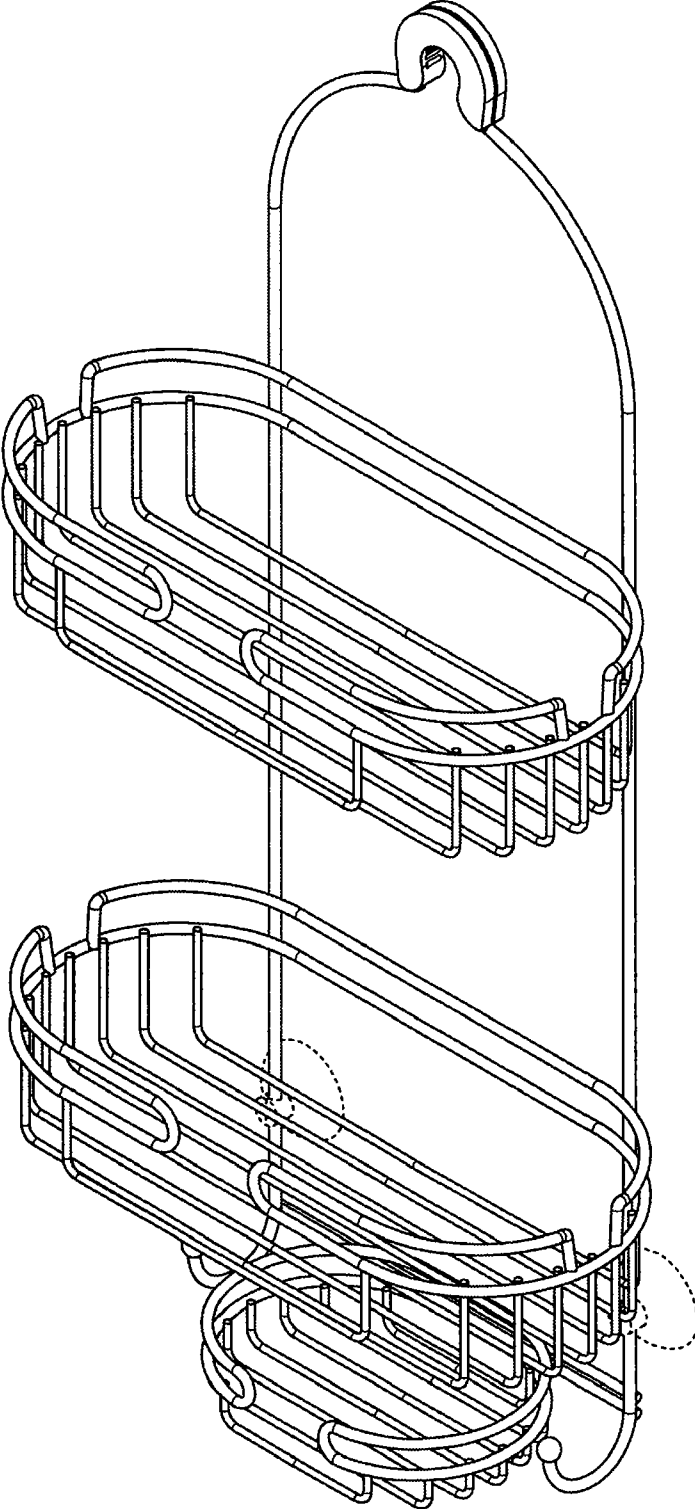


FIG. 1

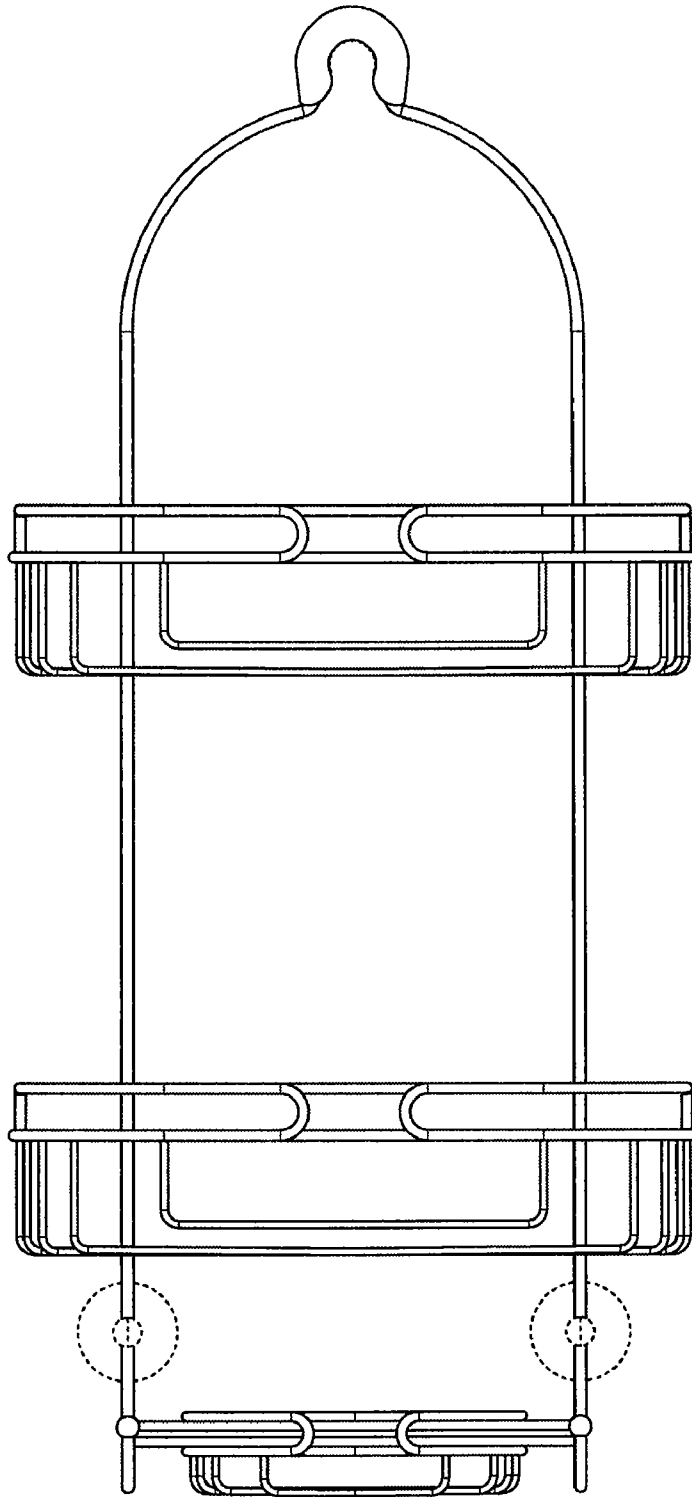


FIG. 2

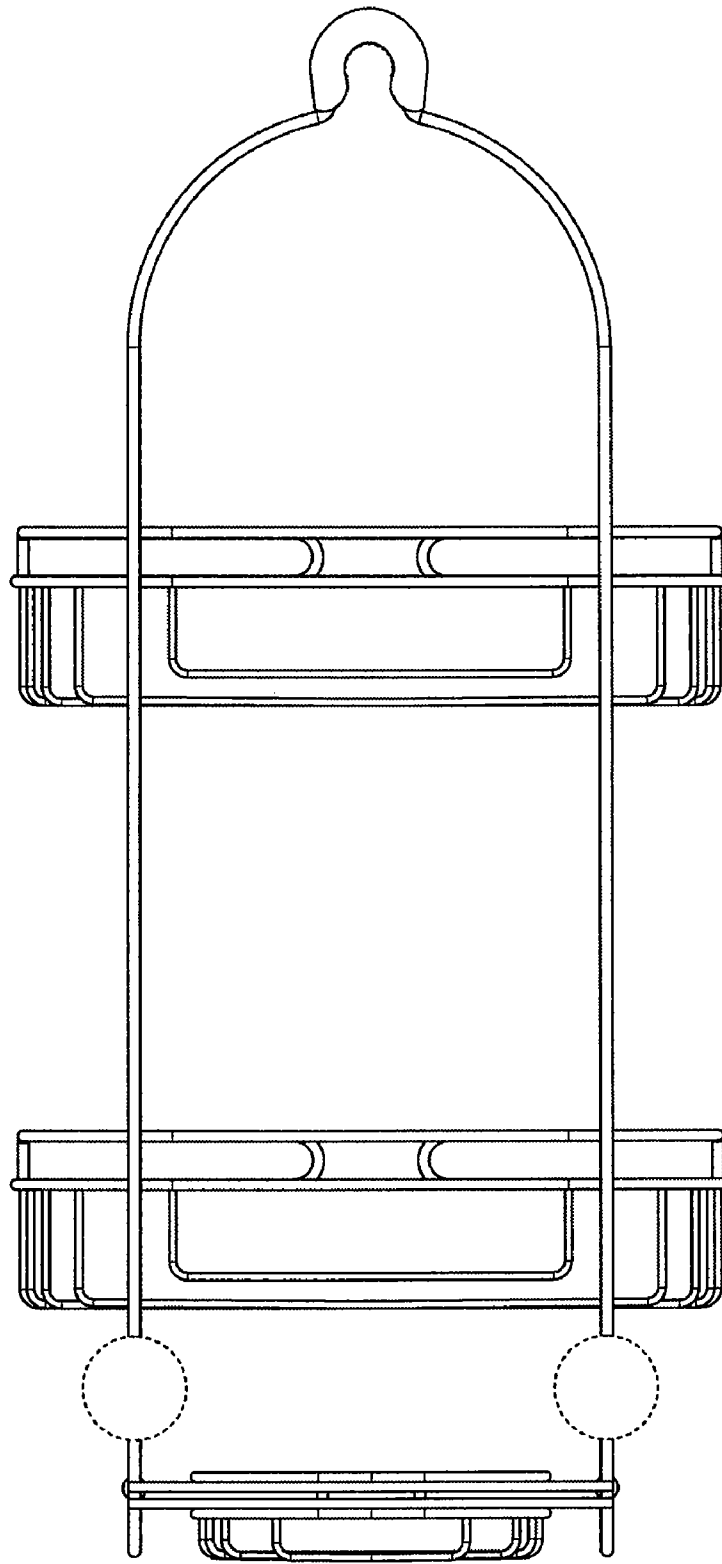


FIG. 3

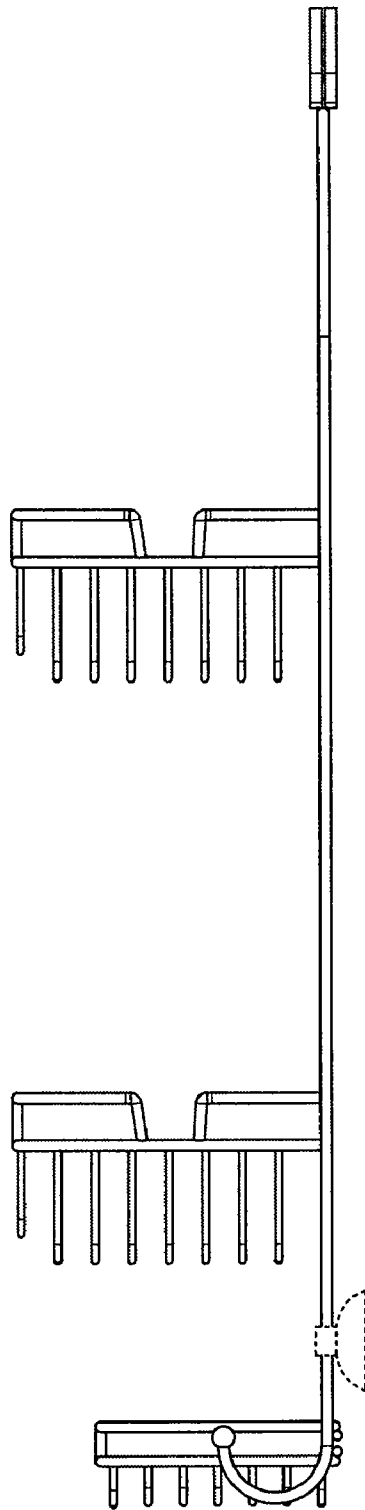


FIG. 4

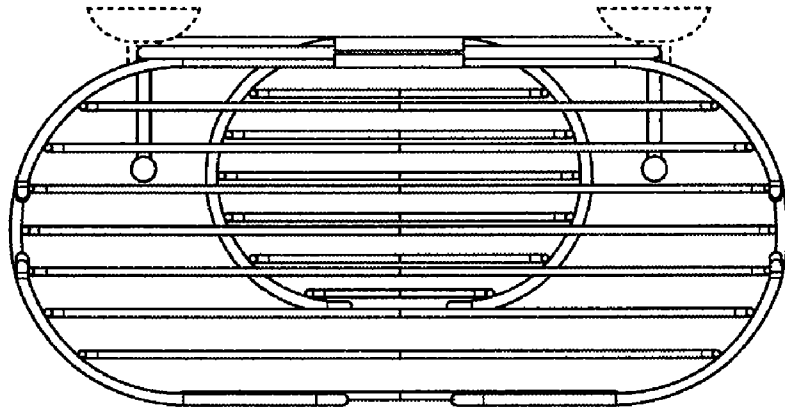


FIG. 5

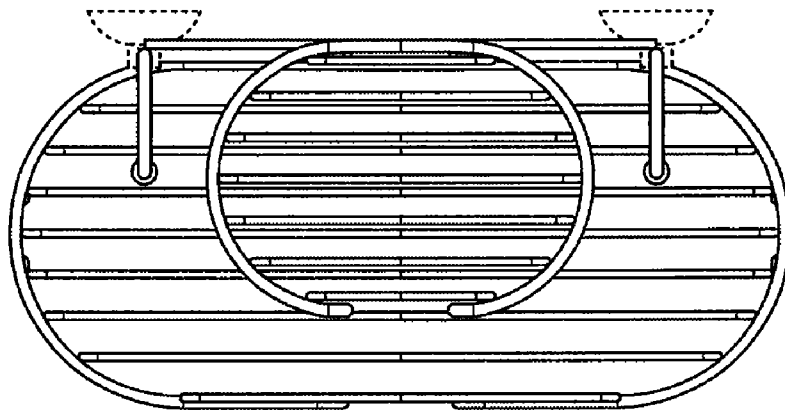


FIG. 6